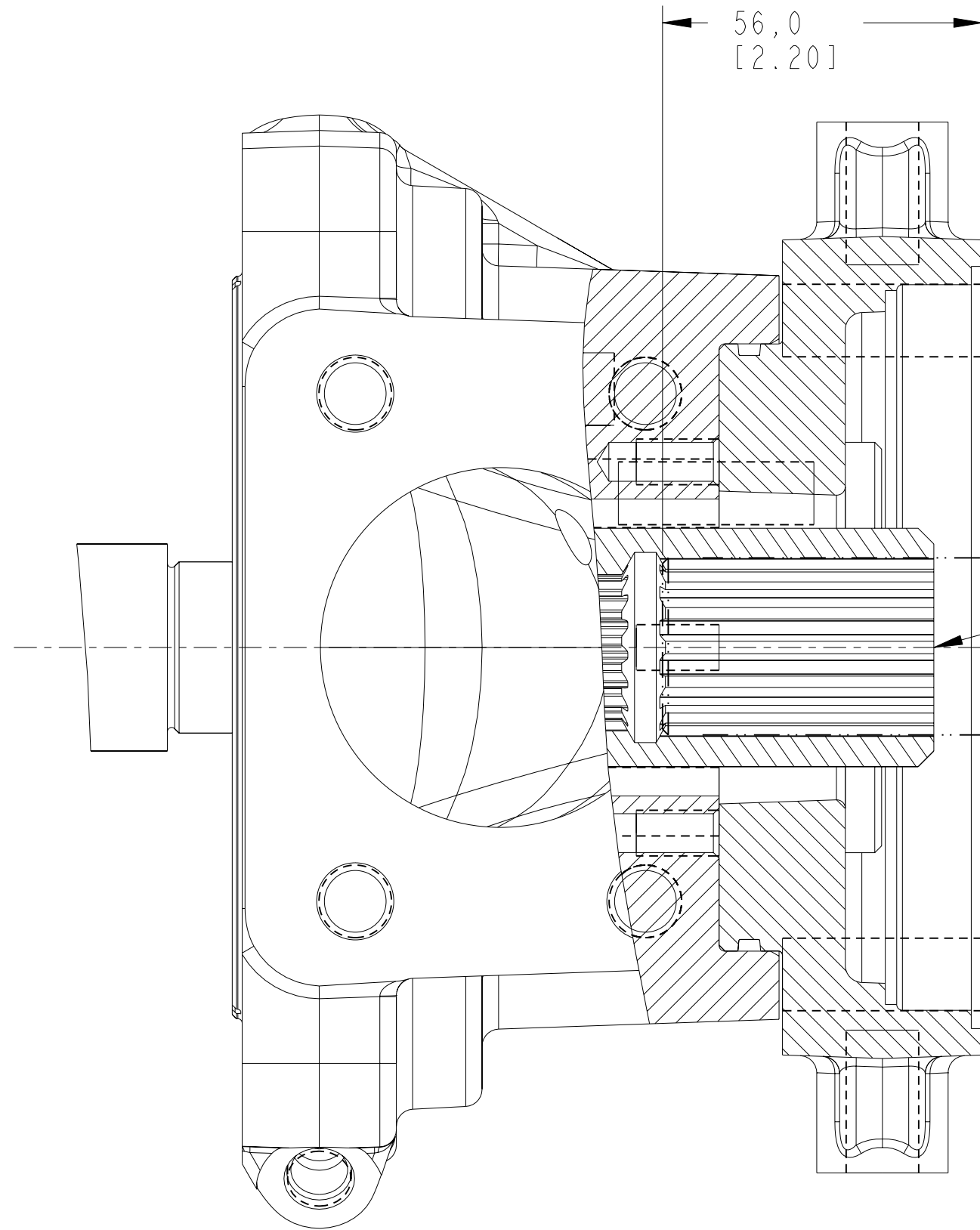


REV	DESCRIPTION	BY	CHK	DATE	ECN / MPS
A	RELEASE FOR SAMPLES AND ESTIMATES	EMR		2/03/03	M29924
B	ENGINEERING RELEASE	MKS	RLI	11/06/09	ECO-36956



SPLINE TO MATE WITH 14 TOOTH 12/24 PITCH
 FLAT ROOT SIDE FIT INVOLUTE SPLINE
 PER SAE J744-32-4



REVIEWED FOR CLASSIFICATION PER ESP-042

DISTRIBUTION CODE(S)

UNLESS OTHERWISE SPECIFIED ALL DIMENSIONS ARE IN INCHES <input type="checkbox"/> MILLIMETERS (INCHES) <input checked="" type="checkbox"/>	DRAWING BASED ON ANSI Y14.5M-1982	
	THE REPRODUCTION, DISTRIBUTION, AND UTILIZATION OF THIS DOCUMENT, AS WELL AS THE COMMUNICATION OF ITS CONTENTS TO OTHERS WITHOUT EXPLICIT AUTHORIZATION IS PROHIBITED. OFFENDERS WILL BE HELD LIABLE FOR THE PAYMENT OF DAMAGES. ALL RIGHTS RESERVED IN THE EVENT OF THE GRANT OF A PATENT, UTILITY MODEL, OR DESIGN. (PER ISO 16016)	
TOLERANCES .X ± --- .XX ± --- .XXX ± --- < ± ---	DRAWN EMR BY/DATE 5/18/04 CHECKED BY/DATE ENGRG BY/DATE METALLURGY BY/DATE	MATERIAL/HEAT TREAT TITLE OUTPUT SHAFT INSTALLATION, 620
UNSPECIFIED RADII ARE: ----	<input checked="" type="checkbox"/> THIRD ANGLE PROJECTION <input type="checkbox"/> FIRST ANGLE PROJECTION	NUMBER A-2494-005
UNSPECIFIED DRAFT ANGLES ARE: ----°	B SIZE DO NOT SCALE	SCALE 1/1 SHEET 1 OF 1
	MICROINCHES <input type="checkbox"/> MICROMETERS (MICROINCHES) <input checked="" type="checkbox"/> ARITHMETICAL AVERAGE <input checked="" type="checkbox"/>	

