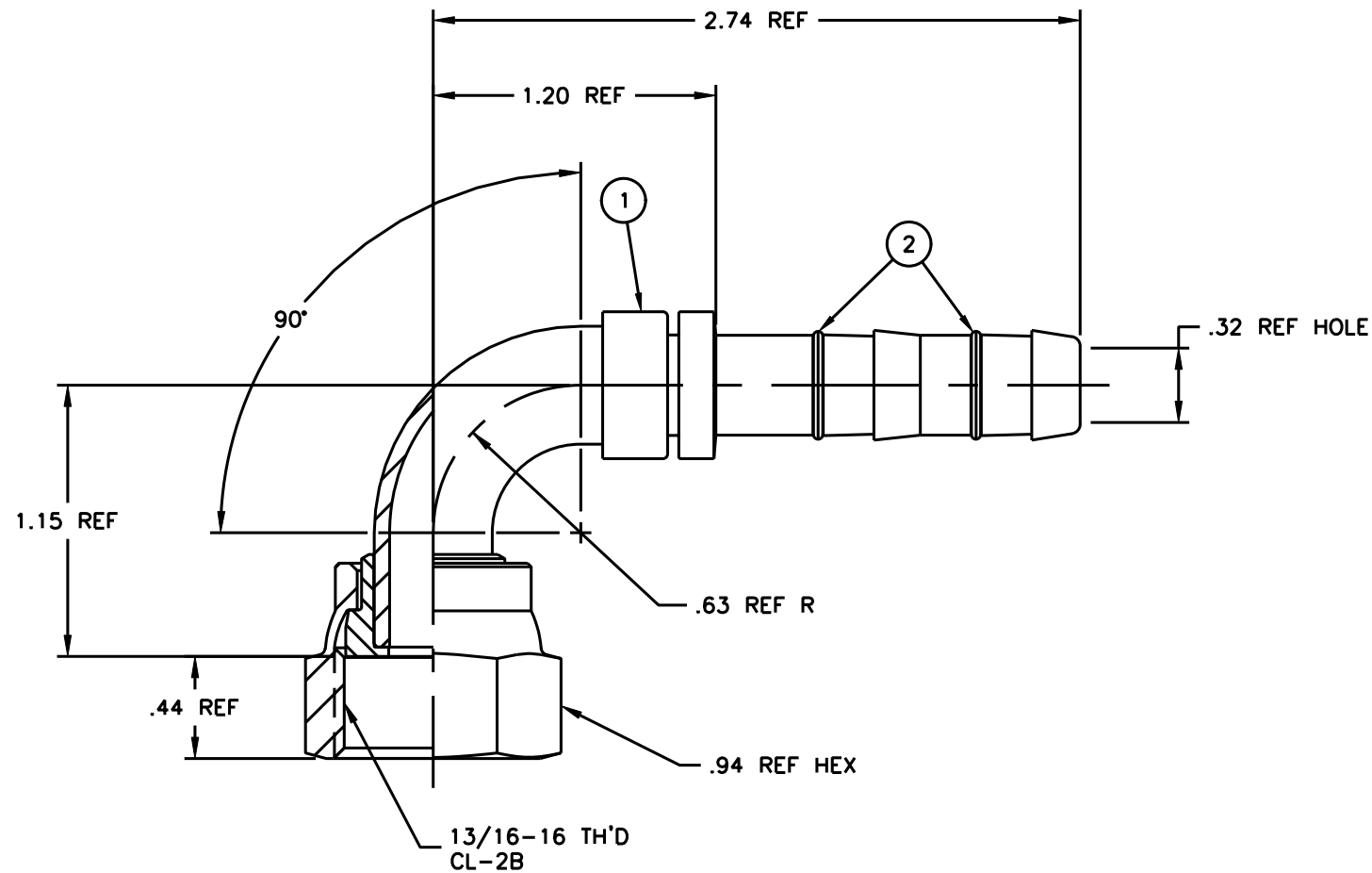


THE REPRODUCTION, DISTRIBUTION AND UTILIZATION OF THIS DOCUMENT, AS WELL AS THE COMMUNICATION OF ITS CONTENTS TO OTHERS WITHOUT EXPLICIT AUTHORIZATION IS PROHIBITED. OFFENDERS WILL BE HELD LIABLE FOR THE PAYMENT OF DAMAGES. ALL RIGHTS RESERVED IN THE EVENT OF THE GRANT OF A PATENT, UTILITY MODEL OR DESIGN. (PER ISO 15016)

REVISIONS			
REV	DESCRIPTION	DATE	APPROVED



INCH

REV.
SH.
FJ5994-02-0808S
DWG. NO.

FJ5994-02-0808S	FJ4994-02-0808S	1F40106-08			
AEROQUIP PART NUMBER	1 NIPPLE ASSEMBLY	2 O-RING (2 REQUIRED)			
LIST OF MATERIALS					
ITEM NO.	MATERIAL	DRAWN T. HARTFORD CHECKED J. BAHNSEN APPROVED J. GRAU RELEASE DATE 1999-09-09 EN-F19222 DP-1256 THIRD ANGLE PROJECTION ITEM TYPE: DTDA			
1	STEEL	FLUID CONVEYANCE DIVISION DRAWING TITLE: FITTING ASSEMBLY 90°, ORS FEMALE SWIVEL, SHORT DROP GH134 HOSE			
2	HNBR				
		SIZE A2	DRAWING NUMBER FJ5994-02-0808S	REV	
		SCALE 2/1	DIST U	CAGE CODE 01276	SHEET NO *

1. PROCESS AS FOLLOWS:
(a) LUBRICATE O-RINGS AND ASSEMBLE TO NIPPLE AS SHOWN.