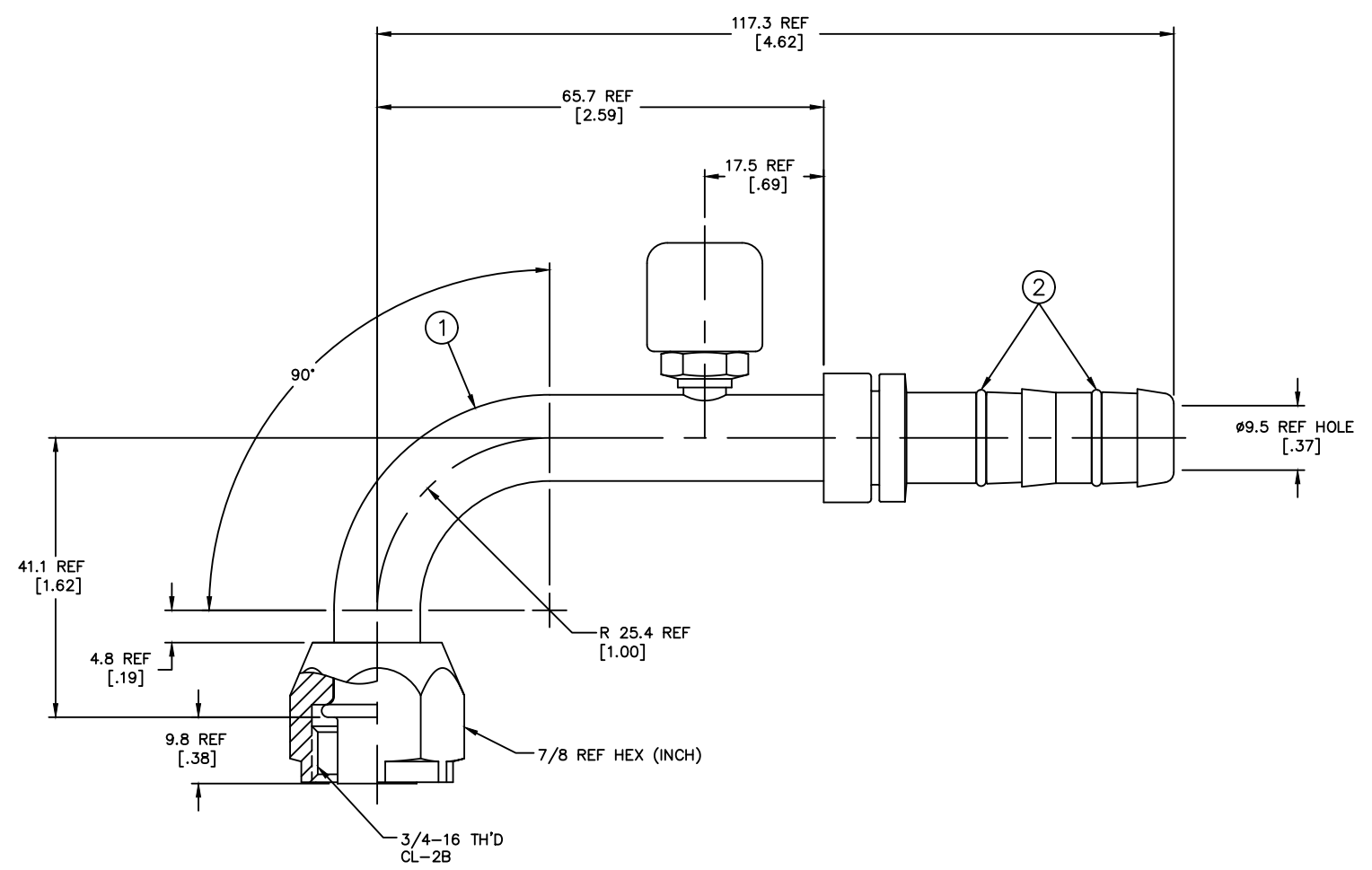


REVISIONS			
REV	DESCRIPTION	DATE	APPROVED



2. DIMENSIONS ARE IN MILLIMETERS [INCHES].
 1. LUBRICATE O'RINGS AND ASSEMBLE TO NIPPLE AS SHOWN.

METRIC

FJ3289-04-0810S	FJ2289-04-0810S	1F40106-10			
PART NUMBER	① NIPPLE ASSEMBLY	② O'RING (2 REQ'D)			
LIST OF MATERIALS					
ITEM NO.	MATERIAL	DRAWN M UTRUP	FLUID CONVEYANCE DIVISION DRAWING TITLE FITTING ASSEMBLY 90°, FEMALE O'RING PILOT (LONG) WITH R12 CHARGE PORT, GH134 HOSE		
1	STEEL	CHECKED S JACKSON			
2	HNBR	APPROVED S JACKSON	SIZE	DRAWING NUMBER	REV
		RELEASE DATE 2006-12-13	A2	FJ3289-04-0810	
		0001651-ECO	SCALE	DIST	CAGE CODE
		RPS-11844	2/1	U	01276
		THIRD ANGLE PROJECTION			SHEET 1 OF 1
<small>THE REPRODUCTION, DISTRIBUTION AND UTILIZATION OF THIS DOCUMENT AS WELL AS THE COMMUNICATION OF ITS CONTENTS TO OTHERS WITHOUT EXPLICIT AUTHORIZATION IS PROHIBITED. OFFENDERS WILL BE HELD LIABLE FOR THE PAYMENT OF DAMAGES. ALL RIGHT RESERVED IN THE EVENT OF THE GRANT OF A PATENT, UTILITY MODEL OR DESIGN. (PER ISO 16016)</small>					

REV. 1
 DWG. NO. FJ3289-04-0810