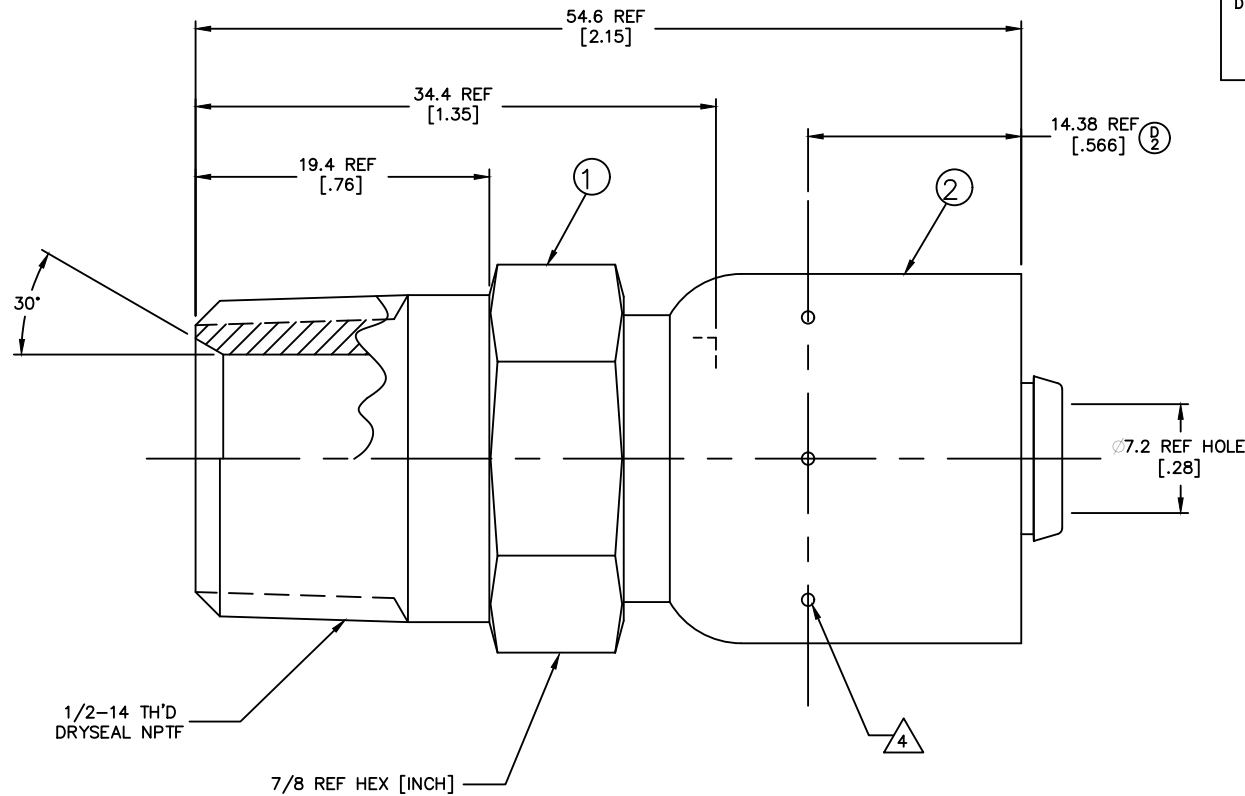


REVISIONS			
REV	DESCRIPTION	DATE	APPROVED
C	REACTIVATED AS PER REV "A" TO SHOW AEROQUIP DESIGN	2006-05-12 RHJ/KBM	EN-F30034 DP-1299
D	ADDED MARKING FOR CRIMPING LOCATION. UPDATED DRAWING ACCORDINGLY. 1) ADDED NOTE #4 2) ADDED DIMENSION.	2021-11-16 DMK/ARK	CO-0221245



METRIC

FJ3152-0808S	FW1260-0808S	FW1186-08S			
PART NUMBER	(1) NIPPLE	(2) SOCKET			

LIST OF MATERIALS

ITEM NO.	MATERIAL	DRAWN LoTanya Wraags	CHECKED R. D. WEBB	APPROVED R.D.GARRETT	RELEASE DATE 2000-05-23	EN-F19881	DP-1290	THIRD ANGLE PROJECTION	SIZE A2	DRAWING NUMBER FJ3152-0808S	REV D	
1	STEEL											
2	STEEL											
									SCALE 4/1	DIST U	CAGE CODE 01276	SHEET 1

FLUID CONVEYANCE DIVISION  
DRAWING TITLE  
FITTING ASSEMBLY  
MALE PIPE, 1503 HOSE

- 4. CRIMP LOCATION IMPRESSION MARK (6-8 PLACES). (P1)
- 3. DIMENSIONS ARE IN MILLIMETERS [INCHES].
- 2. THERE SHOULD BE NO SOCKET MOVEMENT ON THE NIPPLE AFTER CRIMPING.
- 1. CRIMP SOCKET PER ES 2409P17.

THE REPRODUCTION, DISTRIBUTION AND UTILIZATION OF THIS DOCUMENT AS WELL AS THE COMMUNICATION OF ITS CONTENTS TO OTHERS WITHOUT EXPLICIT AUTHORIZATION IS PROHIBITED. OFFENDERS WILL BE HELD LIABLE FOR THE PAYMENT OF DAMAGES. ALL RIGHT RESERVED IN THE EVENT OF THE GRANT OF A PATENT, UTILITY MODEL OR DESIGN. (PER ISO 16016)