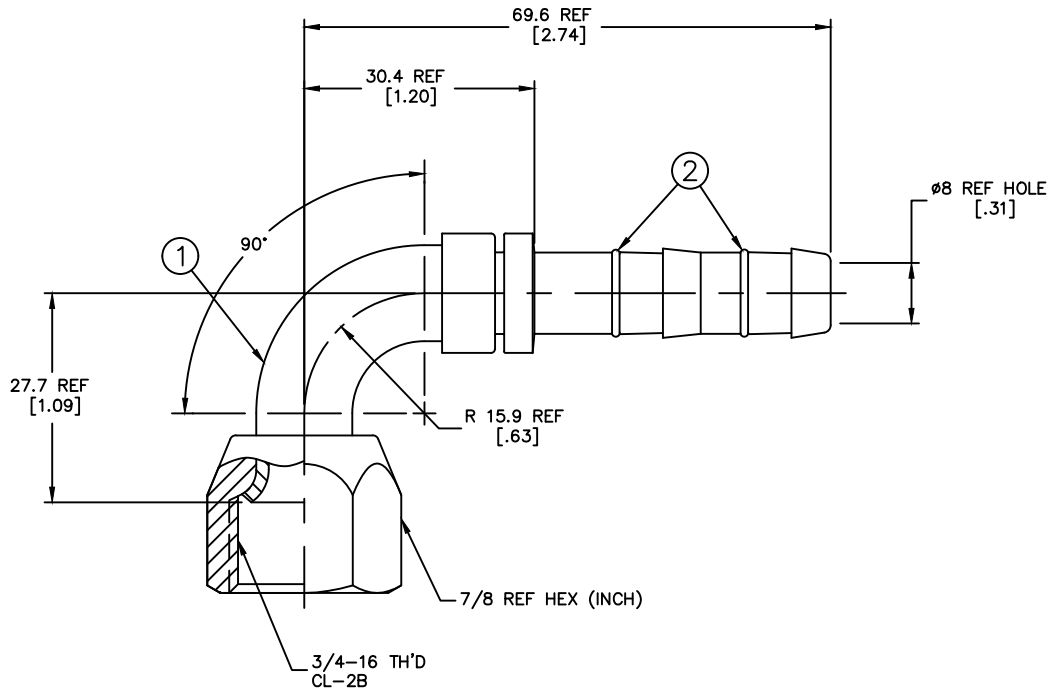


REVISIONS			
REV	DESCRIPTION	DATE	APPROVED



METRIC

- 2. DIMENSIONS ARE IN MILLIMETERS [INCHES].
- 1. LUBRICATE O'RINGS AND ASSEMBLE TO NIPPLE AS SHOWN.

FJ3149-03-0808S	FJ2149-03-0808S	1F40106-08		
AEROQUIP PART NUMBER	① NIPPLE ASSEMBLY	② O'RING (2 REQ'D)		
LIST OF MATERIALS				
ITEM NO.	MATERIAL	DRAWN R. KELLY	FLUID CONVEYANCE DIVISION DRAWING TITLE <b>FITTING ASSEMBLY</b> 90°, UNIVERSAL (SAE 37° OR 45°) SWIVEL, GH134 HOSE	
1	STEEL	CHECKED D. BAILEY		
2	HNBR	APPROVED D. BAILEY		
		RELEASE DATE 2000-07-31		
		EN-F20173	SIZE A2	DRAWING NUMBER FJ3149-03-0808S
		DP-1256	SCALE 2/1	DIST U
		THIRD ANGLE PROJECTION	CAGE CODE 01276	SHEET
		ITEM TYPE TZA		

EN

SH. REV.

DWG. NO. FJ3149-03-0808S