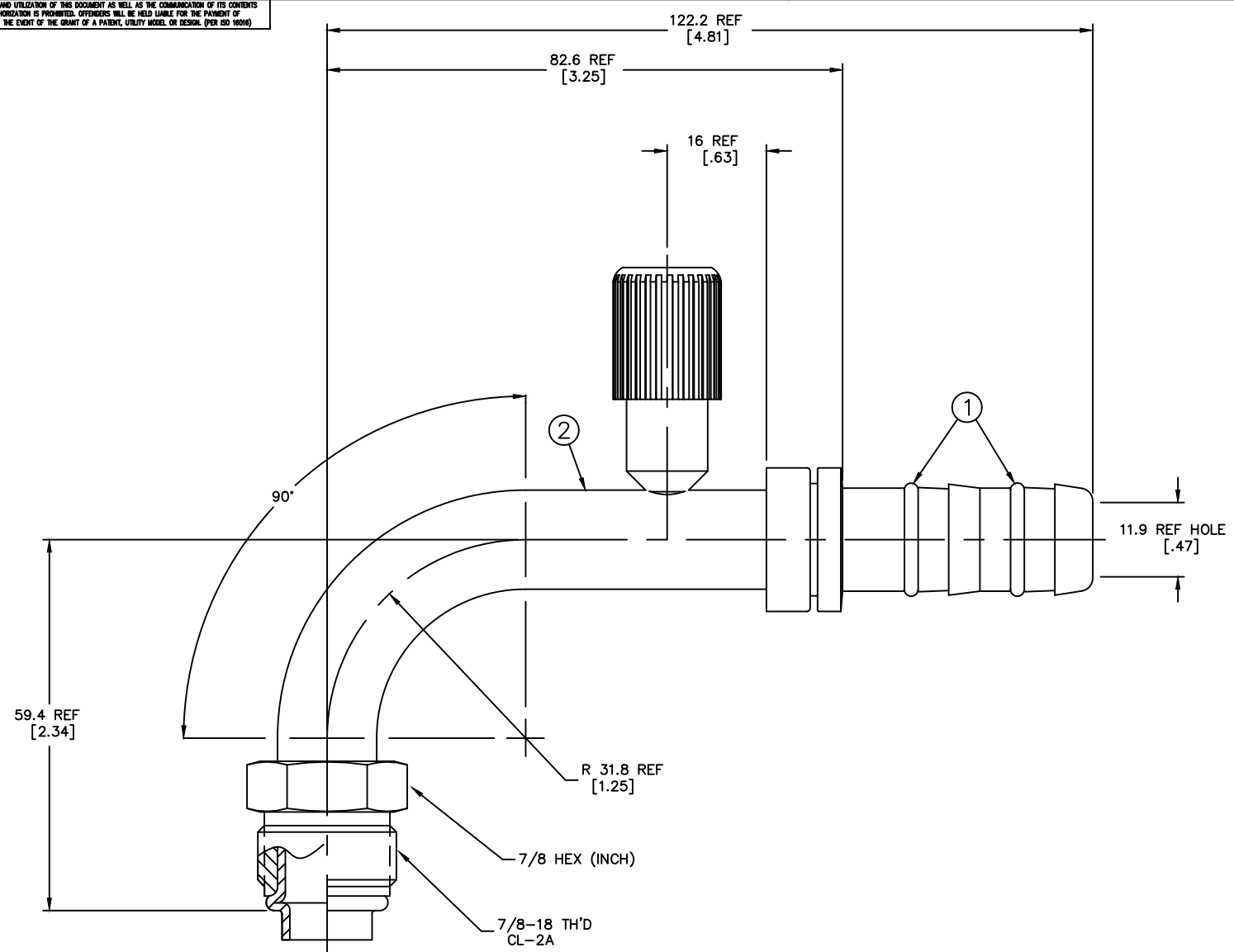


THE REPRODUCTION, DISTRIBUTION AND UTILIZATION OF THIS DOCUMENT AS WELL AS THE COMMUNICATION OF ITS CONTENTS TO OTHERS WITHOUT EXPLICIT AUTHORIZATION IS PROHIBITED. OFFENDERS WILL BE HELD LIABLE FOR THE PAYMENT OF DAMAGES. ALL RIGHT RESERVED IN THE EVENT OF THE GRANT OF A PATENT, UTILITY MODEL OR DESIGN. (PER ISO 10000)

REVISIONS			
REV	DESCRIPTION	DATE	APPROVED



2. DIMENSIONS ARE IN MILLIMETERS [INCHES].  
 1. LUBRICATE O-RINGS AND ASSEMBLE TO NIPPLE AS SHOWN.

FJ3135-02-1012S	1F40106-12	FJ2135-02-1012S		
AEROQUIP PART NUMBER	① O-RING (2 REQ'D)	② NIPPLE ASSEMBLY		
LIST OF MATERIALS				
ITEM NO.	MATERIAL	DRAWN R. KELLY	FLUID CONVEYANCE DIVISION DRAWING TITLE <b>90° MALE O-RING PILOT (SHORT), WITH LOW SIDE CHARGE PORT, GH134 HOSE</b>	
1	HNBR	CHECKED R. D. WEBB		
2	STEEL	APPROVED R.D.GARRETT		
		RELEASE DATE 2000-06-16		
		EN-F20184	SIZE A2	DRAWING NUMBER FJ3135-02-1012S
		DP-1256	SCALE 2/1	DIST U
		THIRD ANGLE PROJECTION	CAGE CODE 01276	SHEET
		ITEM TYPED TSA		

DWG. NO. FJ3135-02-1012S SH. REV.