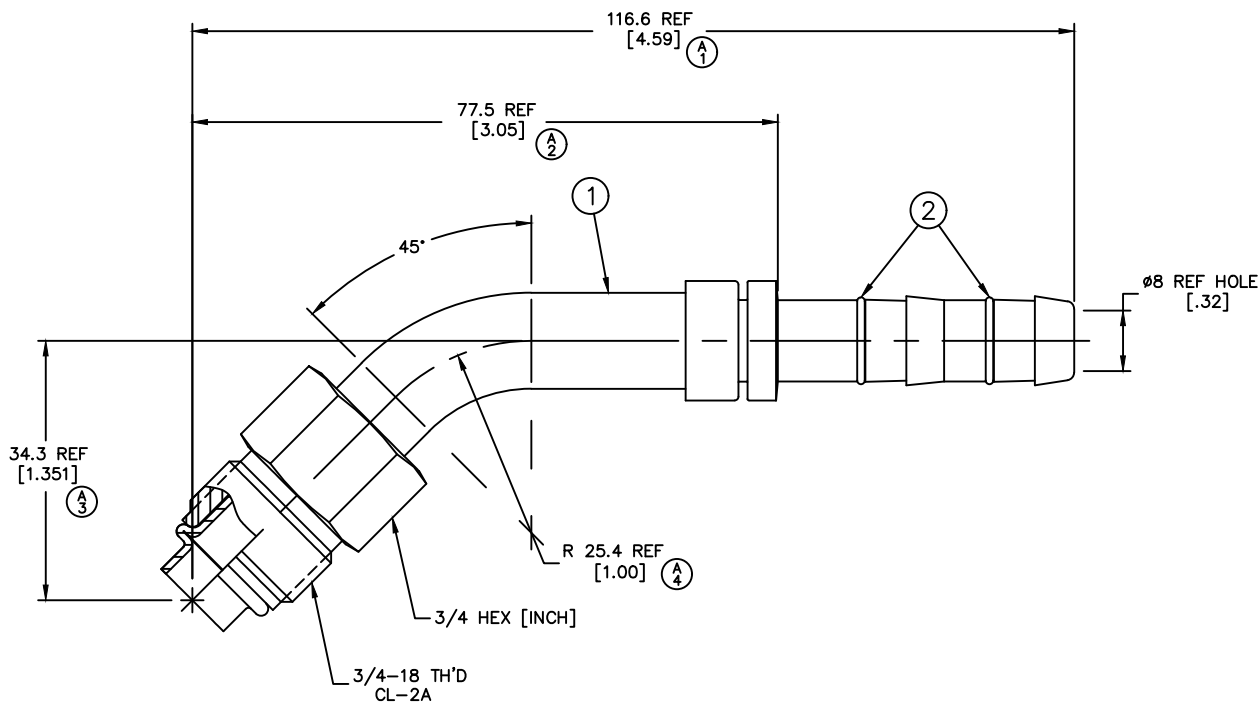


REVISIONS			
REV	DESCRIPTION	DATE	APPROVED
A	(1) WAS 116.9[4.60] REF (2) WAS 77.7[3.06] REF (3) WAS 32.5[1.28] REF (4) WAS R 19[.75] REF	2001-08-08	EN-F22125 DP-1256
		DAS/BAT	



METRIC

- 2. DIMENSIONS ARE IN MILLIMETERS [INCHES].
- 1. LUBRICATE O'RINGS AND ASSEMBLE TO NIPPLE AS SHOWN.

FJ3116-03-0808S	FJ2116-03-0808S	1F40106-08				
AEROQUIP PART NUMBER	① NIPPLE ASSEMBLY	② O'RING (2 REQ'D)				
LIST OF MATERIALS						
ITEM NO.	MATERIAL	DRAWN	FLUID CONVEYANCE DIVISION			
1	STEEL	D. SNYDER				
2	HNBR	CHECKED D. BAILEY				
		APPROVED B. THOMAS				
		RELEASE DATE 2001-07-26				
		EN-F22101 DP-1256				
		THIRD ANGLE PROJECTION	SIZE A2	DRAWING NUMBER FJ3116-03-0808S	REV A	
		ITEM TYPE:	SCALE 2/1	DIST U	CAGE CODE 01276	SHEET

DWG. NO. FJ3116-03-0808S
REV. A
SH.