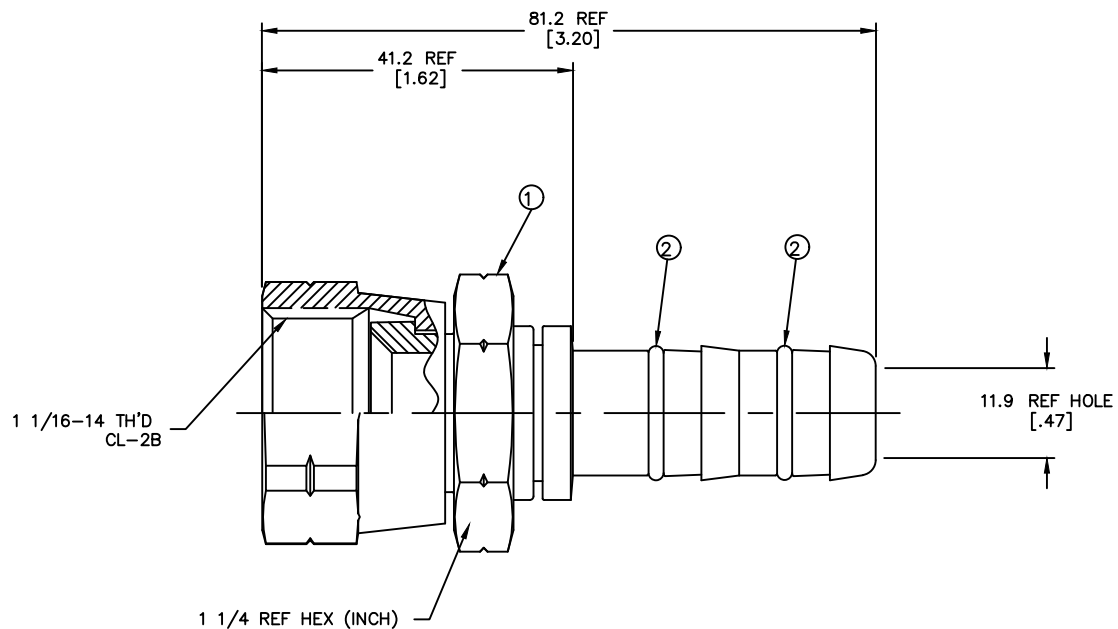


REVISIONS			
REV	DESCRIPTION	DATE	APPROVED



METRIC

2. DIMENSIONS ARE IN MILLIMETERS [INCHES].
1. LUBRICATE O-RINGS AND ASSEMBLE ON NIPPLE AS SHOWN.

FJ3057-07-1212S	FJ2057-07-1212S	1F40106-12			
AEROQUIP PART NUMBER	① NIPPLE ASSEMBLY	② O'RING (2 REQUIRED)			
LIST OF MATERIALS					
ITEM NO.	MATERIAL	DRAWN M. RAYMO	FLUID CONVEYANCE DIVISION DRAWING TITLE FITTING ASSEMBLY SAE 45° SWIVEL, GH134 HOSE		
1	STEEL	CHECKED D. BAILEY			
2	HNBR	APPROVED D. BAILEY			
		RELEASE DATE 2000-08-31			
		EN-F20300 DP-1256	SIZE A2	DRAWING NUMBER FJ3057-07-1212S	REV
		THIRD ANGLE PROJECTION	SCALE 2:1	DIST U	CAGE CODE 01276
		ITEM TYPE: D IFA	SHEET		

DWG. NO. FJ2057-07-1212S