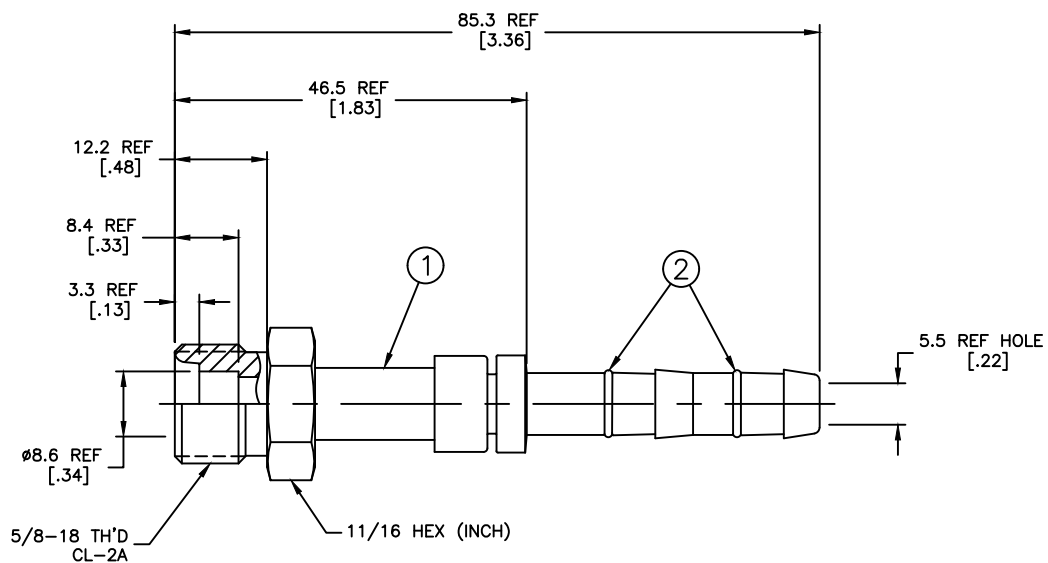


REVISIONS			
REV	DESCRIPTION	DATE	APPROVED



- DIMENSIONS ARE IN MILLIMETERS [INCHES].
- LUBRICATE O'RINGS AND ASSEMBLE TO NIPPLE AS SHOWN.

METRIC

FJ3026-0606S	FJ2026-0606S	1F40106-6		
AEROQUIP PART NUMBER	① NIPPLE ASSEMBLY	② O'RING (2 REQ'D)		
LIST OF MATERIALS				
ITEM NO.	MATERIAL	DRAWN	FLUID CONVEYANCE DIVISION	
1	STEEL	R.KELLY		
2	HNBR	CHECKED		
		D.BAILEY		
		APPROVED		
		D.BAILEY		
		RELEASE DATE	DRAWING TITLE	
		2000-08-01	FITTING ASSEMBLY	
		EN-F20295	MALE O'RING PILOT (LONG),	
		DP-1256	GH134 HOSE	
		THIRD ANGLE PROJECTION	SIZE	DRAWING NUMBER
			A2	FJ3026-0606S
		ITEM TYPE:DTZA	SCALE	2/1
			DIST	U
			CAGE CODE	01276
			SHEET	

DWG. NO. FJ3026-0606S SH. REV.