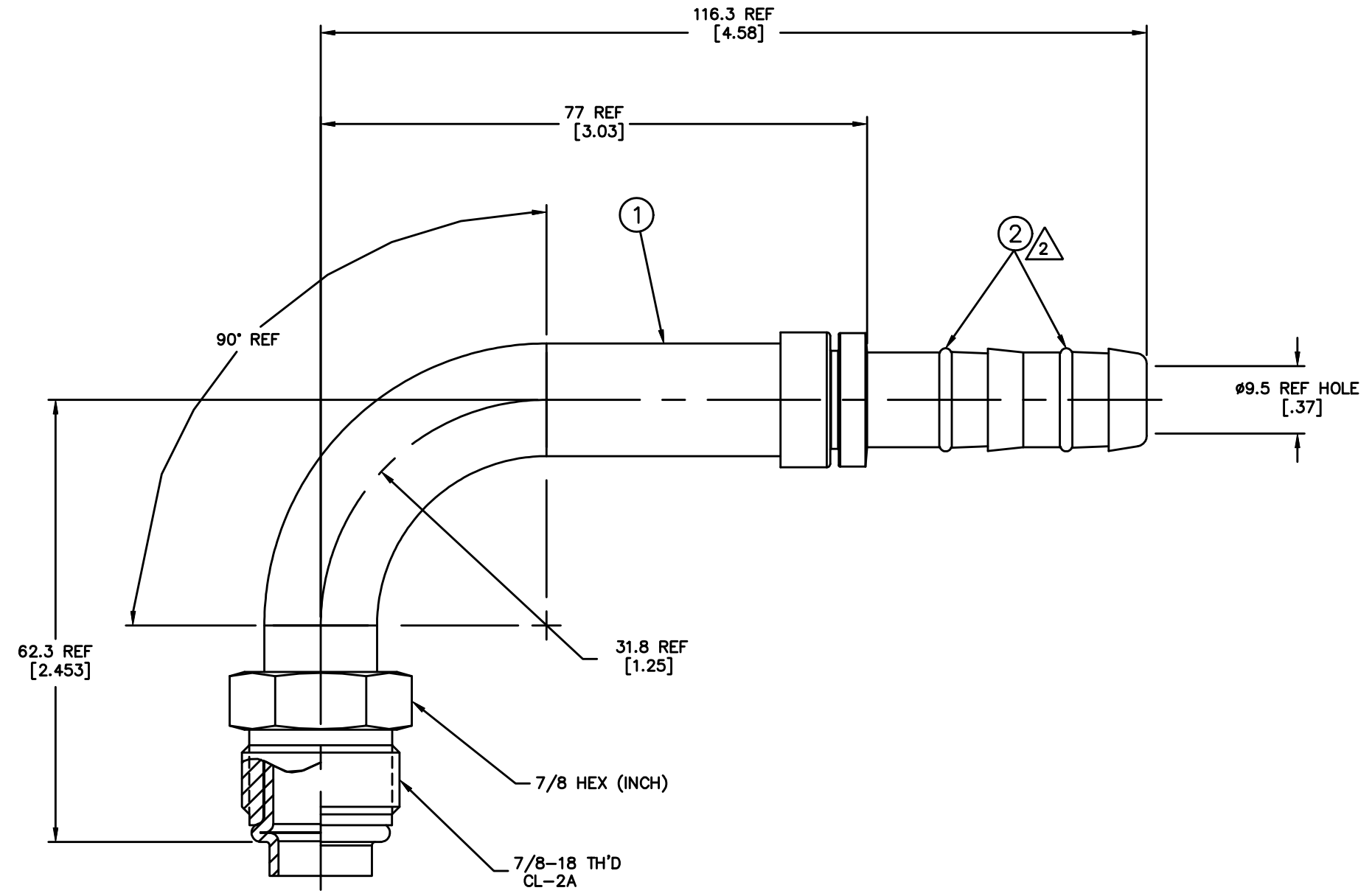


REVISIONS			
REV	DESCRIPTION	DATE	APPROVED
A	REDRAWN & REDESIGNED UPDATED TO NIPPLE ASSEMBLY	2005-12-19 DS/BAT	EN-F28240 DP-1299



METRIC

DWG. NO. FJ3019-07-1010S  
SH. REV. A

FJ3019-07-1010S	FJ2019-07-1010S	1F40106-10			
PART NUMBER	① NIPPLE ASSEMBLY	② O'RING (2 REQ'D)			

LIST OF MATERIALS

ITEM NO.	MATERIAL
1	STEEL
2	HNBR

DRAWN D.Snyder CHECKED	FLUID CONVEYANCE DIVISION		
APPROVED	DRAWING TITLE		
RELEASE DATE	FITTING ASSEMBLY 90°, SAE MALE O'RING PILOT (SHORT) GH134 HOSE		
EN-F28240	SIZE	DRAWING NUMBER	REV
DP-1299	A2	FJ3019-07-1010S	A
THIRD ANGLE PROJECTION	SCALE	DIST	CAGE CODE
	2/1	U	01276
SHEET			
THE REPRODUCTION, DISTRIBUTION AND UTILIZATION OF THIS DOCUMENT, AS WELL AS THE COMMUNICATION OF ITS CONTENTS TO OTHERS WITHOUT EXPLICIT AUTHORIZATION IS PROHIBITED. OFFENDERS WILL BE HELD LIABLE FOR THE PAYMENT OF DAMAGES. ALL RIGHTS RESERVED IN THE EVENT OF THE GRANT OF A PATENT, UTILITY MODEL OR DESIGN. (PER ISO 18016)			

② LUBRICATE O'RINGS AND ASSEMBLE TO NIPPLE AS SHOWN.  
 1. DIMENSIONS ARE IN MILLIMETERS [INCHES].