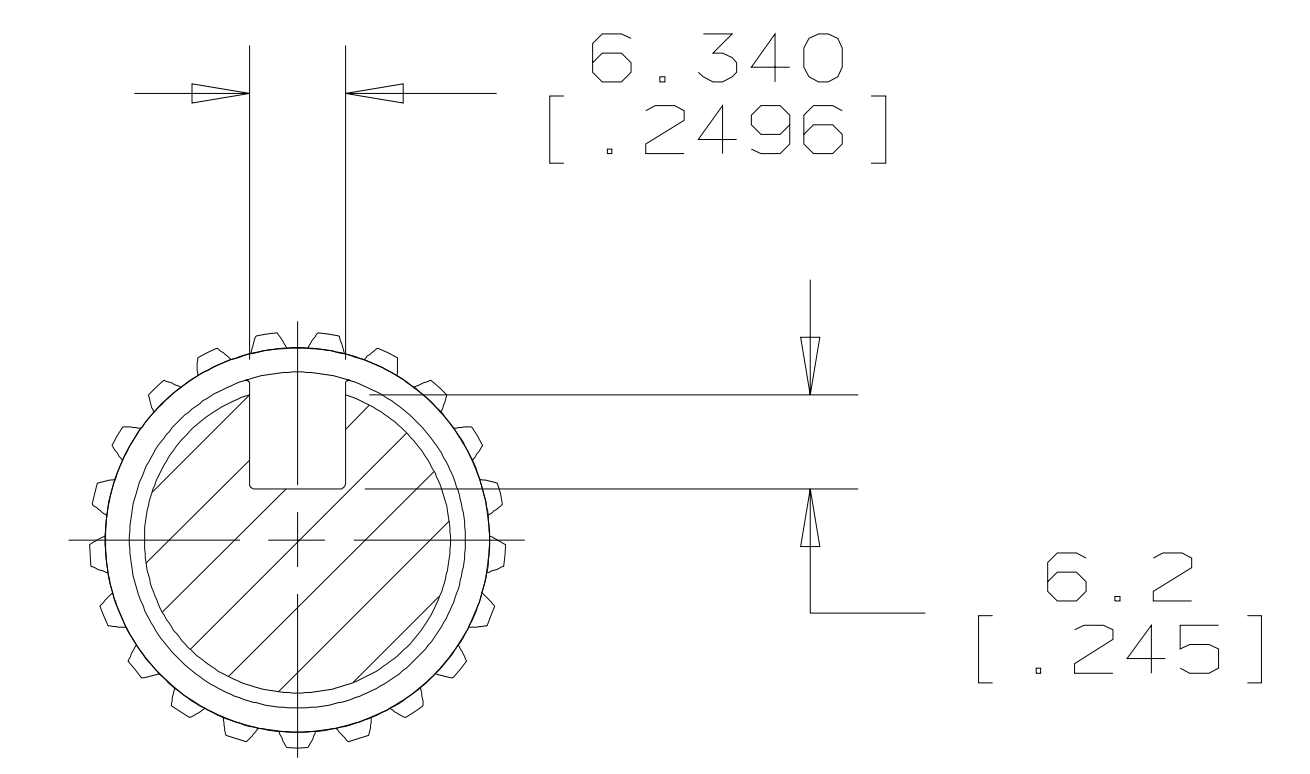
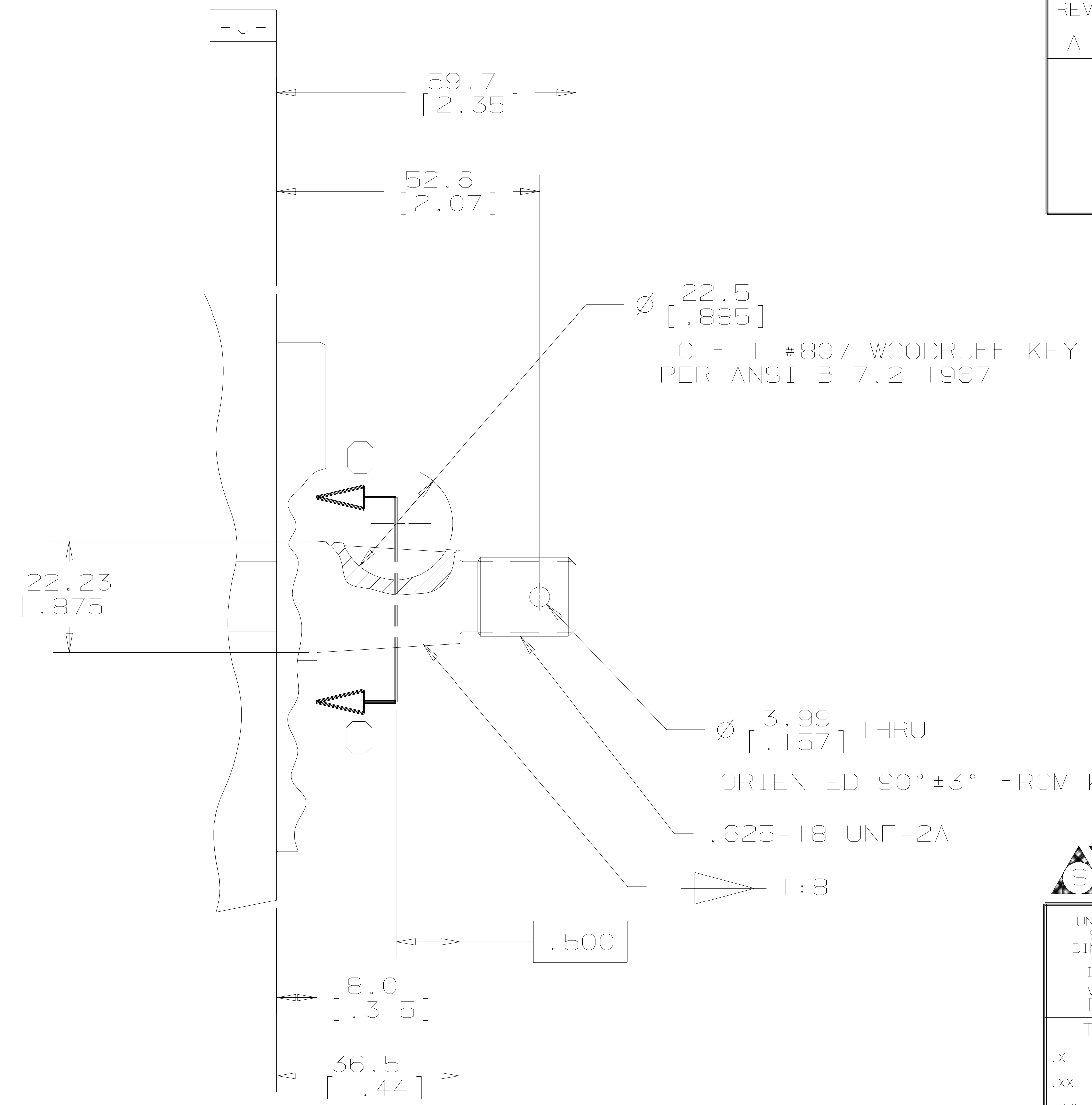


REV	DESCRIPTION	BY	CHK	DATE	ECN
A	ENGINEERING RELEASE	SDR	MJZ	4/21/05	M64477



SECTION C-C

H

	REVIEWED FOR CLASSIFICATION PER ESP-042	
	DRAWING BASED ON ANSI Y14.5M-1982	
UNLESS OTHERWISE SPECIFIED ALL DIMENSIONS ARE IN INCHES <input type="checkbox"/> MILLIMETERS [INCHES] <input checked="" type="checkbox"/>	THE REPRODUCTION, DISTRIBUTION, AND UTILIZATION OF THIS DOCUMENT, AS WELL AS THE COMMUNICATION OF ITS CONTENTS TO OTHERS WITHOUT EXPLICIT AUTHORIZATION IS PROHIBITED. OFFENDERS WILL BE HELD LIABLE FOR THE PAYMENT OF DAMAGES. ALL RIGHTS RESERVED IN THE EVENT OF THE GRANT OF A PATENT, UTILITY MODEL, OR DESIGN. (PER ISO 16016)	
TOLERANCES .X ± ---- .XX ± REF .XXX ± ONLY < ± ----	DRAWN BY/DATE SDR 5/6/05 CHECKED BY/DATE MJZ 5/6/05 ENGRG BY/DATE MAS 5/6/05 METALLURGY BY/DATE ----	MATERIAL/HEAT TREAT TITLE SHAFT INSTALLATION
UNSPECIFIED RADII ARE ----	MICROINCHES <input type="checkbox"/> MICROMETERS [MICROINCHES] <input type="checkbox"/> ARITHMETICAL AVERAGE <input checked="" type="checkbox"/>	NUMBER A-290-117
UNSPECIFIED DRAFT ANGLES ARE ----	 THIRD ANGLE PROJECTION DO NOT SCALE	SCALE 1/1 SHEET 1 OF 1
DRAWING FORMAT CADD <input checked="" type="checkbox"/> MANUAL <input type="checkbox"/>		

