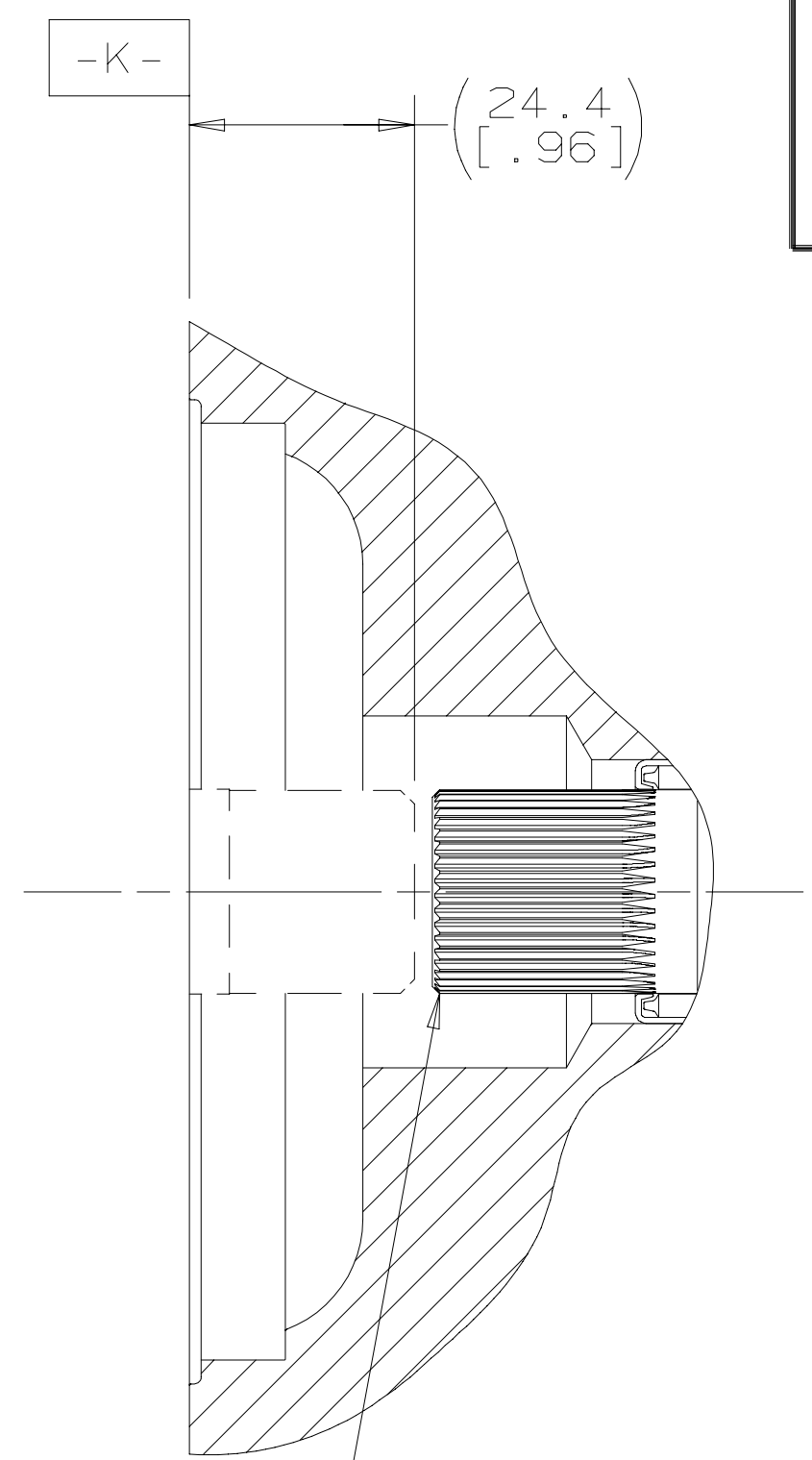
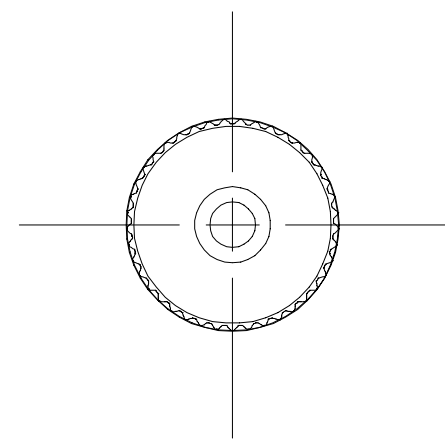
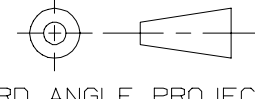


SYM	REVISION	BY	DATE	ECN
A	ENGINEERING RELEASE	DLM	05-07-91	20150



Ø 22.225 [.8750] 41 TOOTH 48/96 DP
 45° INVLT FILLET ROOT CLASS I
 SIDE FIT SPLINE

GSHK

UNLESS OTHERWISE SPECIFIED ALL DIMENSIONS ARE IN INCHES <input type="checkbox"/> MILLIMETERS [INCHES] <input checked="" type="checkbox"/>	DRAWING BASED ON ANSI Y14.5M-1982	
	THE REPRODUCTION, DISTRIBUTION, AND UTILIZATION OF THIS DOCUMENT, AS WELL AS THE COMMUNICATION OF ITS CONTENTS TO OTHERS WITHOUT EXPLICIT AUTHORIZATION IS PROHIBITED. OFFENDERS WILL BE HELD LIABLE FOR THE PAYMENT OF DAMAGES. ALL RIGHTS RESERVED IN THE EVENT OF THE GRANT OF A PATENT, UTILITY MODEL, OR DESIGN. (PER ISO 16016)	
TOLERANCES .X ± — .XX ± REF .XXX ± REF ANGLES ± —	DRAWN BY/DATE DLM 3/10/91 CHECKED BY/DATE ENGRG BY/DATE METALLURGY BY/DATE	MATERIAL/HEAT TREAT TITLE OUTPUT SHAFT INSTALLATION
UNSPECIFIED RADII ARE — UNSPECIFIED DRAFT ANGLES ARE —	 THIRD ANGLE PROJECTION	NUMBER A-290-011
DRAWING FORMAT CADD <input checked="" type="checkbox"/> MANUAL <input type="checkbox"/>	DO NOT SCALE	SCALE 1/1 SHEET 1 OF 1

