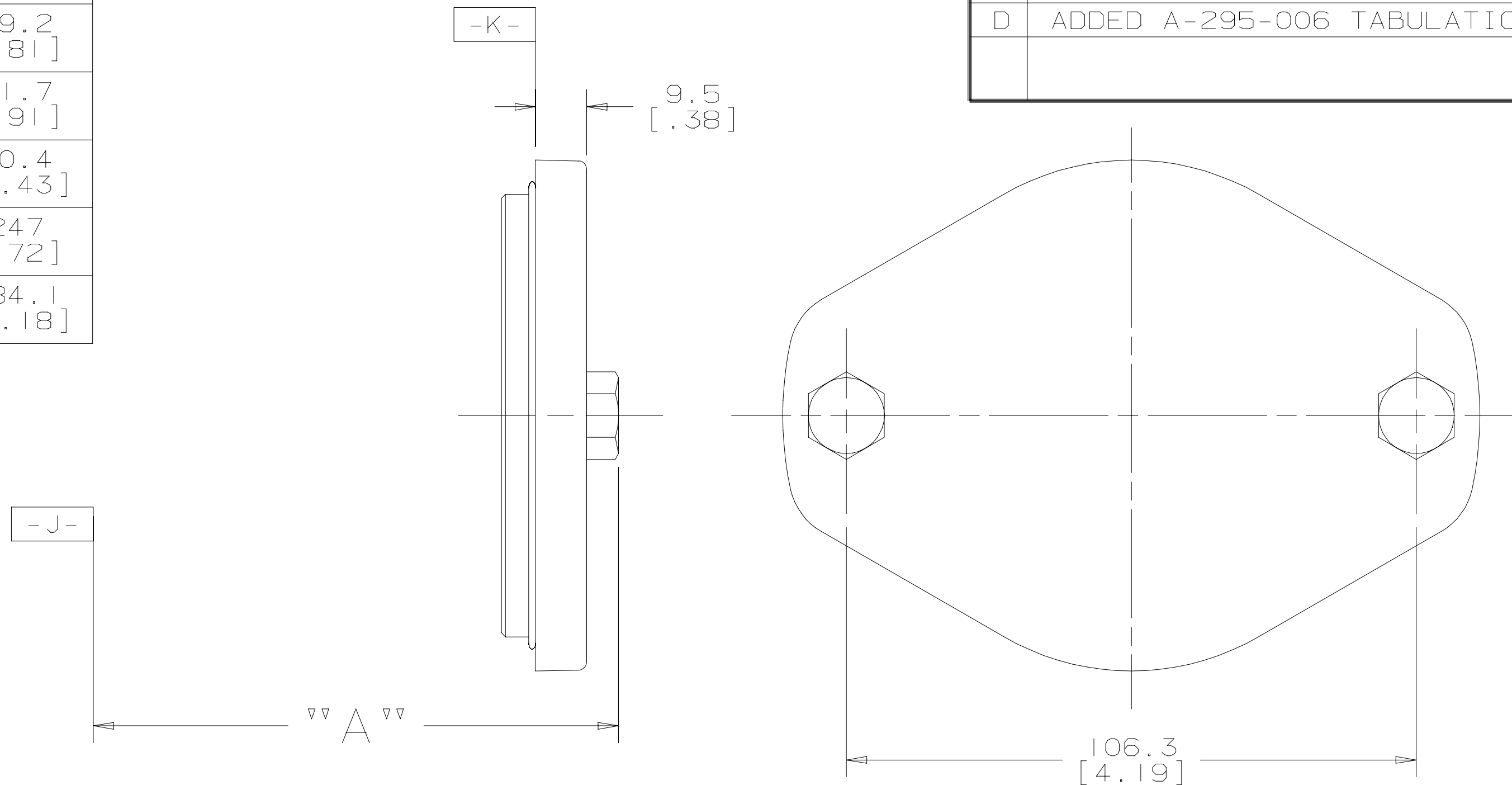


SPECIAL FEATURES NO.	▽▽ A ▽▽
A-295-001	206.8 [8.14]
A-295-002	249.2 [9.81]
A-295-003	251.7 [9.91]
A-295-004	290.4 [11.43]
A-295-005	247 [9.72]
A-295-006	284.1 [11.18]

SYM	REVISION	BY	DATE	ECN
A	ENGINEERING RELEASE	DLM	05-07-91	20150
B	ADDED A-295-004 TABULATION	BDH	1/12/93	23448
C	ADDED A-295-005 TABULATION	JMS	8-16-95	27142
D	ADDED A-295-006 TABULATION	JMM	1-23-98 MJZ	M19002



G H

UNLESS OTHERWISE SPECIFIED ALL DIMENSIONS ARE IN INCHES <input type="checkbox"/> MILLIMETERS [INCHES] <input checked="" type="checkbox"/> TOLERANCES .X ± - .XX ± REF .XXX ± REF ANGLES ± - UNSPECIFIED RADII ARE - UNSPECIFIED DRAFT ANGLES ARE - DRAWING FORMAT CADD <input checked="" type="checkbox"/> MANUAL <input type="checkbox"/>	DRAWING BASED ON ANSI Y14.5M-1982		
	THE REPRODUCTION, DISTRIBUTION, AND UTILIZATION OF THIS DOCUMENT, AS WELL AS THE COMMUNICATION OF ITS CONTENTS TO OTHERS WITHOUT EXPLICIT AUTHORIZATION IS PROHIBITED. OFFENDERS WILL BE HELD LIABLE FOR THE PAYMENT OF DAMAGES. ALL RIGHTS RESERVED IN THE EVENT OF THE GRANT OF A PATENT, UTILITY MODEL, OR DESIGN. (PER ISO 16016)		
	DRAWN BY/DATE DLM 3/12/91 CHECKED BY/DATE CMJ 7/23/91 ENGRG BY/DATE DMW 10/SEP/91 METALLURGY BY/DATE	MATERIAL/HEAT TREAT TITLE COVER PLATE INSTALLATION	
	THIRD ANGLE PROJECTION DO NOT SCALE		NUMBER A-295-XXX SCALE 1/1 SHEET 1 OF 1

