

4

3

2

1

REV	DESCRIPTION	BY	CHK	DATE	ECN
A	ENGINEERING RELEASE	SDR	SDR	10/10/05	M65609

D

D

C

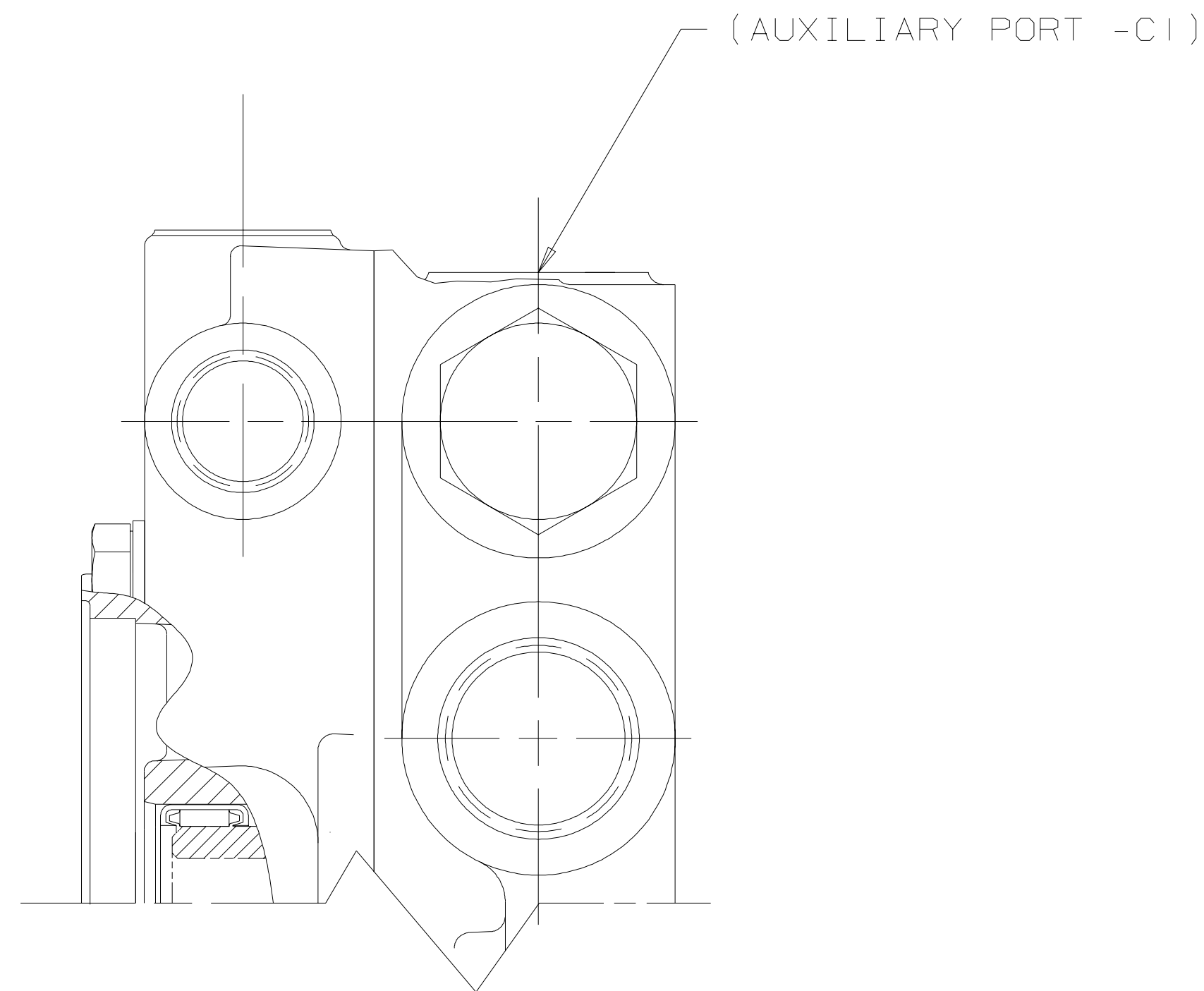
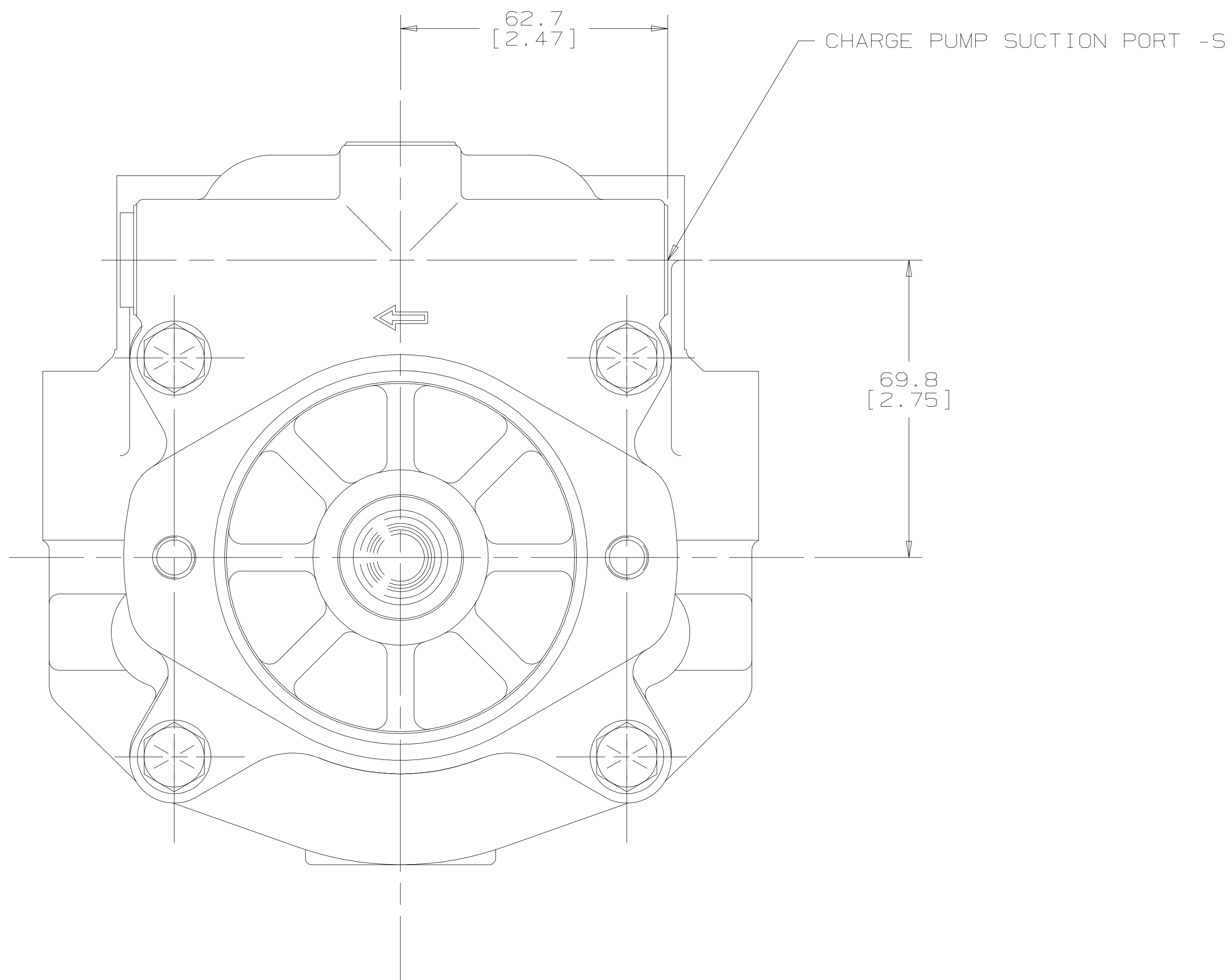
C

B

B

A

A



G H

UNLESS OTHERWISE SPECIFIED ALL DIMENSIONS ARE IN INCHES <input type="checkbox"/> MILLIMETERS [INCHES] <input checked="" type="checkbox"/>	DRAWING BASED ON ANSI Y14.5M-1982		
	THE REPRODUCTION, DISTRIBUTION, AND UTILIZATION OF THIS DOCUMENT, AS WELL AS THE COMMUNICATION OF ITS CONTENTS TO OTHERS WITHOUT EXPLICIT AUTHORIZATION IS PROHIBITED. OFFENDERS WILL BE HELD LIABLE FOR THE PAYMENT OF DAMAGES. ALL RIGHTS RESERVED IN THE EVENT OF THE GRANT OF A PATENT, UTILITY MODEL, OR DESIGN. (PER ISO 16016)		
TOLERANCES .X ± ---- .XX ± ---- .XXX ± ---- < ± ----	DRAWN BY/DATE SDR 10/10/05 CHECKED BY/DATE SDR 10/10/05 ENGRG BY/DATE MMM 10/10/05 METALLURGY BY/DATE ----	MATERIAL/HEAT TREAT TITLE PORT INSTALLATION	
UNSPECIFIED RADII ARE ---- UNSPECIFIED DRAFT ANGLES ARE ----	DO NOT SCALE	NUMBER A-291-082 SCALE 1/1 SHEET 1 OF 1	
DRAWING FORMAT CADD <input checked="" type="checkbox"/> MANUAL <input type="checkbox"/>	ARITHMETICAL AVERAGE <input checked="" type="checkbox"/>		

4

3

2

1