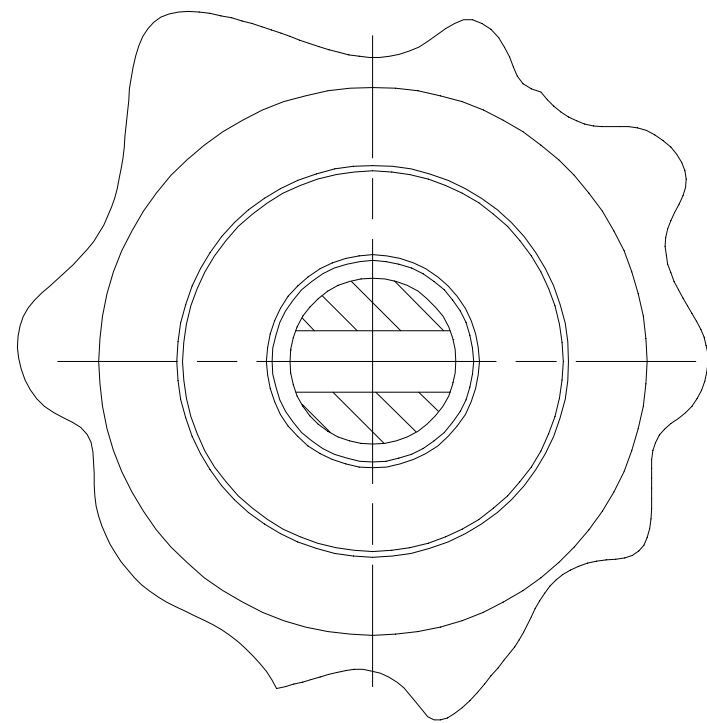
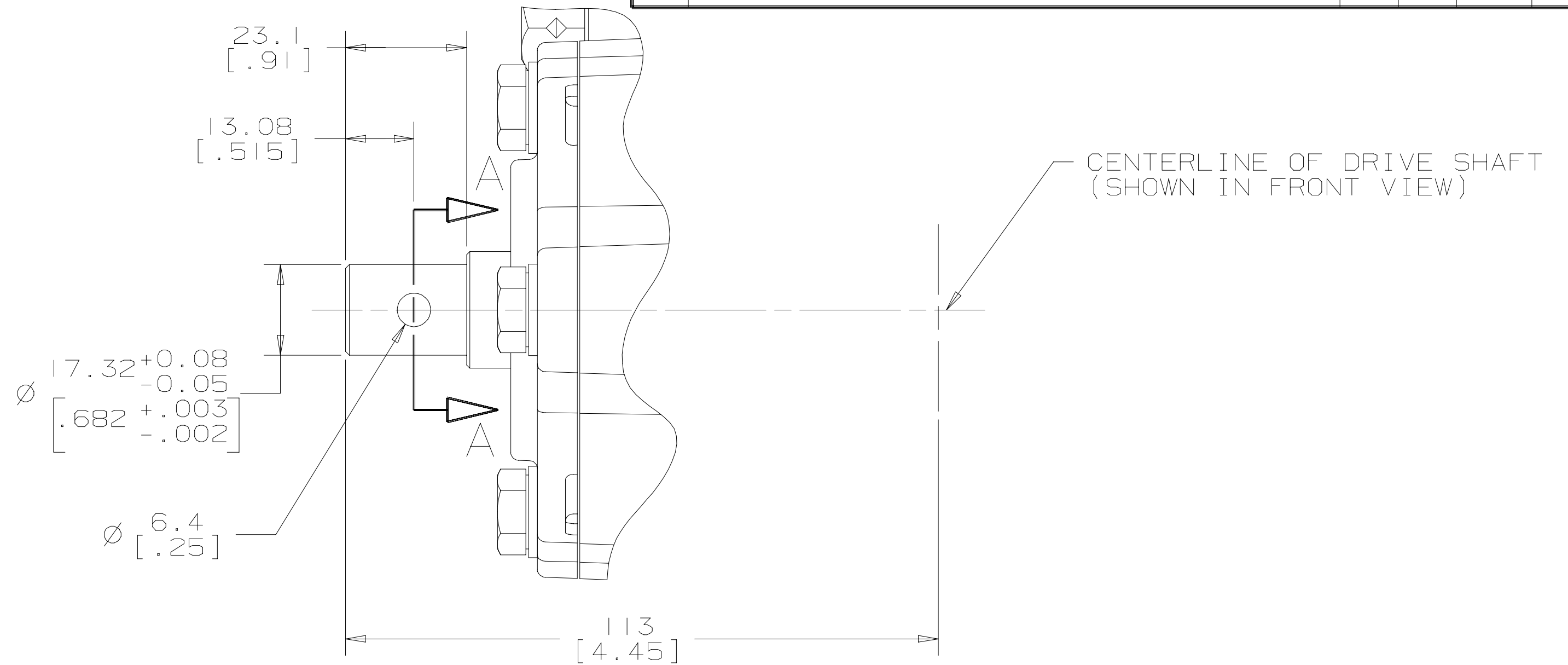


REV	DESCRIPTION	BY	CHK	DATE	ECN
A	RELEASE FOR SAMPLES AND ESTIMATE	MJZ	DLL	8-1-97	MI8022
B	ENGINEERING RELEASE	DLL	SSW	5-19-98	MI8022B



SECTION A-A
CONTROL SHAFT SHOWN AT
NEUTRAL POSITION



G H

UNLESS OTHERWISE SPECIFIED ALL DIMENSIONS ARE IN INCHES <input type="checkbox"/> MILLIMETERS <input checked="" type="checkbox"/> [INCHES]	DRAWING BASED ON ANSI Y14.5M-1982	
	THE REPRODUCTION, DISTRIBUTION, AND UTILIZATION OF THIS DOCUMENT, AS WELL AS THE COMMUNICATION OF ITS CONTENTS TO OTHERS WITHOUT EXPLICIT AUTHORIZATION IS PROHIBITED. OFFENDERS WILL BE HELD LIABLE FOR THE PAYMENT OF DAMAGES. ALL RIGHTS RESERVED IN THE EVENT OF THE GRANT OF A PATENT, UTILITY MODEL, OR DESIGN. (PER ISO 16016)	
TOLERANCES .X ± ---- .XX ± ---- .XXX ± ---- < ± ----	DRAWN BY/DATE MJZ 8-21-97 CHECKED BY/DATE DLL 8-26-97 ENGRG BY/DATE SSW 8-28-97 METALLURGY ---- BY/DATE	MATERIAL/HEAT TREAT TITLE CONTROL SHAFT INSTALLATION
UNSPECIFIED RADII ARE ----	<input checked="" type="checkbox"/> THIRD ANGLE PROJECTION DO NOT SCALE	MICROINCHES <input type="checkbox"/> MICROMETERS <input type="checkbox"/> [MICROINCHES]
UNSPECIFIED DRAFT ANGLES ARE ----	ARITHMETICAL AVERAGE <input checked="" type="checkbox"/>	NUMBER A-292-038 SCALE 1/1 SHEET 1 OF 1
DRAWING FORMAT CADD <input checked="" type="checkbox"/> MANUAL <input type="checkbox"/>		

