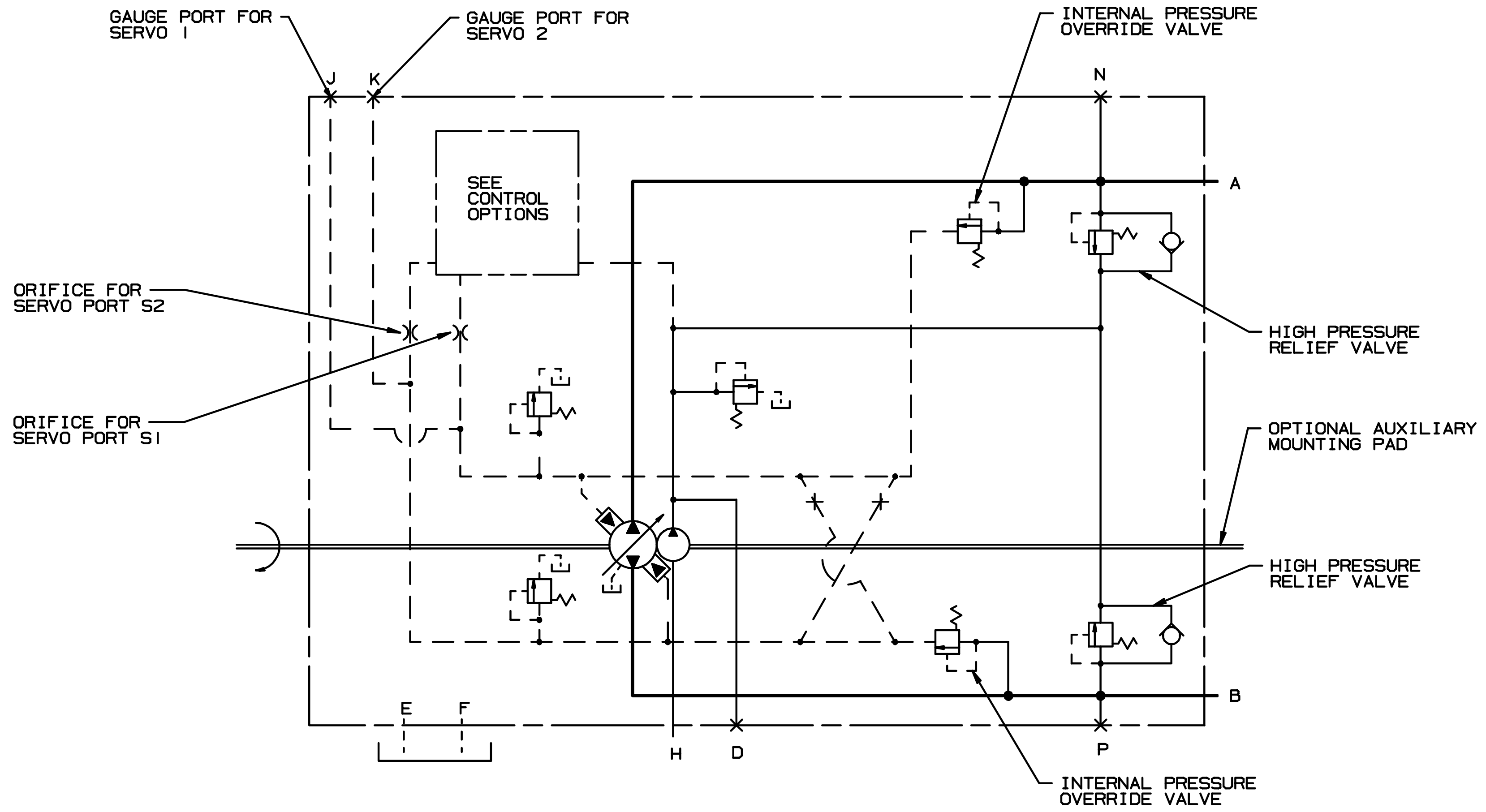


REV	DESCRIPTION	BY	CHK	DATE	ECN
A	RELEASE FOR SAMPLES AND ESTIMATE	JJV		5-9-95	X7920
B	ENGINEERING RELEASE -1)(3A)ADD NOTE 1	JJV		4-15-96	28055
C	-1)(4C)BOTH "ORIFICE FOR..." WERE "OPTIONAL ORIFICE FOR..." -2)(3B) RELOCATED CASE DRAINS E AND F TO OUTSIDE OF BOUNDARY	CLL		6-19-96	28283



NOTE  
 1 INPUT ROTATION CLOCKWISE (RIGHTHAND)

UNLESS OTHERWISE SPECIFIED ALL DIMENSIONS ARE IN INCHES <input checked="" type="checkbox"/> MILLIMETERS [INCHES] <input type="checkbox"/>		DRAWING BASED ON ANSI Y14.5M-1982	
TOLERANCES .X ± ---- .XX ± ---- .XXX ± ---- < ± ----		THE REPRODUCTION, DISTRIBUTION, AND UTILIZATION OF THIS DOCUMENT, AS WELL AS THE COMMUNICATION OF ITS CONTENTS TO OTHERS WITHOUT EXPLICIT AUTHORIZATION IS PROHIBITED. OFFENDERS WILL BE HELD LIABLE FOR THE PAYMENT OF DAMAGES. ALL RIGHTS RESERVED IN THE EVENT OF THE GRANT OF A PATENT, UTILITY MODEL, OR DESIGN. (PER ISO 16016)	
UNSPECIFIED RADI ARE ----		DRAWN BY/DATE JJV 10-16-95 CHECKED BY/DATE MFW 12-5-95 ENGR BY/DATE MFW 12-5-95 METALLURGY BY/DATE ----	MATERIAL/HEAT TREAT  TITLE <b>SERIES 2 VARIABLE PUMP          HYDRAULIC SCHEMATIC</b>
UNSPECIFIED DRAFT ANGLES ARE ----		<input checked="" type="checkbox"/> THIRD ANGLE PROJECTION DO NOT SCALE	MICROINCHES <input type="checkbox"/> MILLIMETERS [MICROINCHES] <input type="checkbox"/> ARITHMETICAL AVERAGE NUMBER <b>A-1038-001</b>
DRAWING FORMAT CAD <input checked="" type="checkbox"/> MANUAL <input type="checkbox"/>		SCALE 1/1	SHEET 1 OF 1

4

3

2

1

4

3

2

1