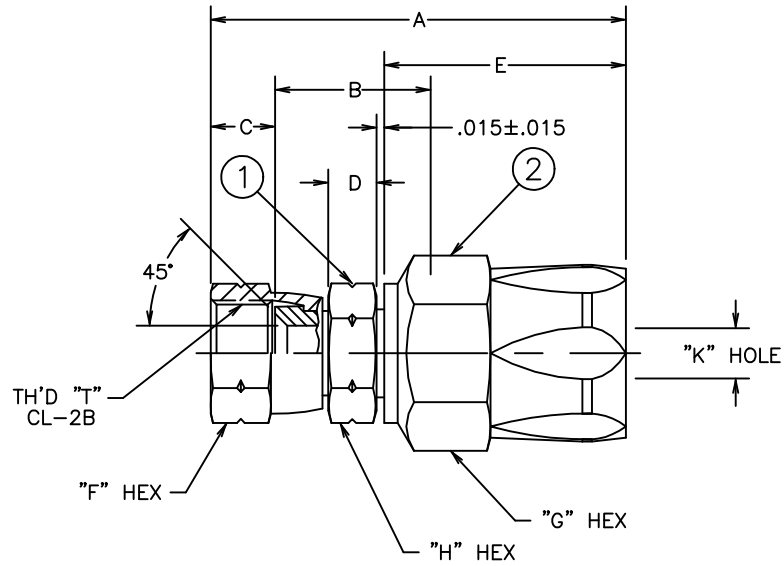


PART NUMBER	TH'D "T"	A REF	B REF	C REF	D REF	E REF	F REF	G REF	H REF	K REF
479601-4-6S	7/16-20	2.12	.76	.37	.19	1.25	.56	.88	.56	.17
479601-6S	5/8-18	2.31	.88	.43	.25	1.25	.75	.88	.75	.30
479601-8S	3/4-16	2.96	1.27	.44	.31	1.77	.88	1.06	.88	.41

REVISIONS			
REV.	DESCRIPTION	DATE	APPROVED
F	REDRAWN ON CAD—LAST REV. "E"	3-30-92	EN-F12914 ER-F12914



479601-8S	469601-8S	1214-8S			
479601-6S	469601-6S	1214-6S			
479601-4-6S	469601-4-6S	1214-6S			
PART NUMBER	① NIPPLE ASSEMBLY	② SOCKET			

LIST OF MATERIALS

ITEM NO.	MATERIAL	DRAWN	DATE	DRAWING TITLE	
1	STEEL	R.D.GARRETT	3-30-92	FLUID CONVEYANCE DIVISION FITTING ASSEMBLY SAE 45° SWIVEL, 2555 HOSE	
2	STEEL	R.D.GARRETT	3-30-92		
		R.D.GARRETT	3-30-92		
		R.D.GARRETT	3-30-92		
		PROJECT NO. ER-F12914	APC NO.	SIZE	(CAGE) CODE NO.
		DESIGN APPROVED		C	01276
		APPROVED		U	DRAWING NUMBER 479601
					SHEET

THE REPRODUCTION, DISTRIBUTION AND UTILIZATION OF THIS DOCUMENT AS WELL AS THE COMMUNICATION OF ITS CONTENTS TO OTHER WITHOUT EXPLICIT AUTHORIZATION IS PROHIBITED. OFFENDERS WILL BE HELD LIABLE FOR THE PAYMENT OF DAMAGES. ALL RIGHT RESERVED IN THE EVENT OF THE GRANT OF A PATENT, UTILITY MODEL OR DESIGN. (PER ISO 16016)

CONVERTED DRAWING CADAM to AutoCAD 9/98

DWG. NO. 479601 SH. F REV. F