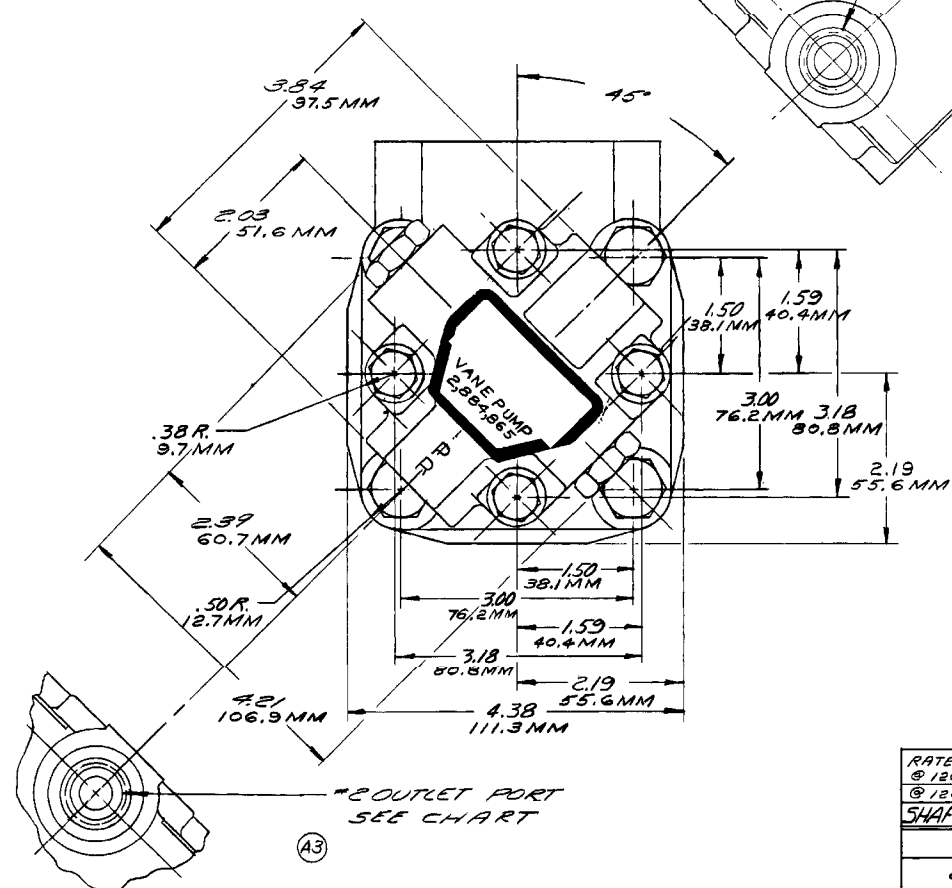
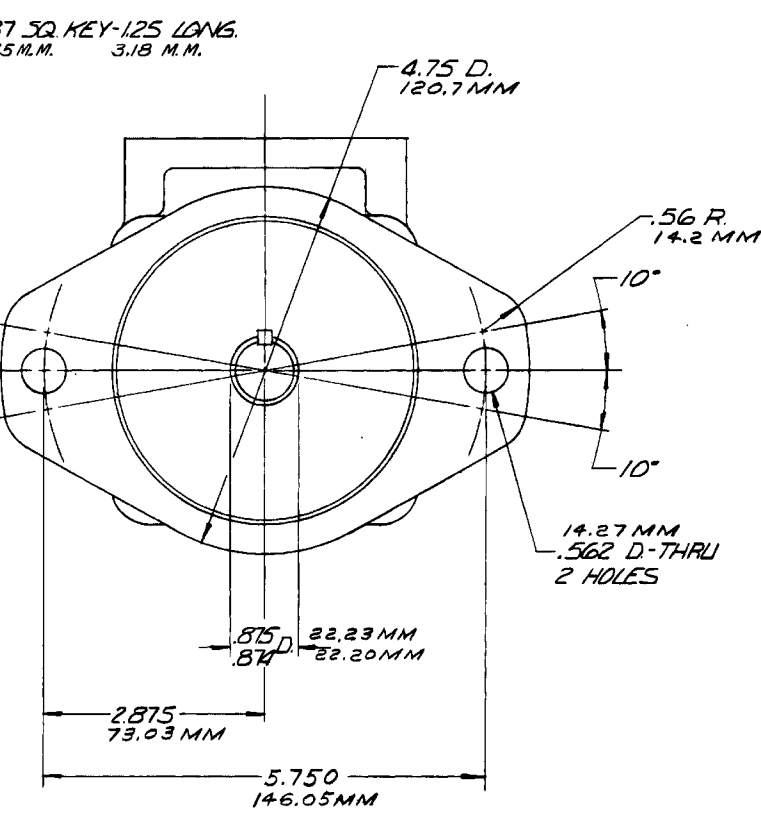
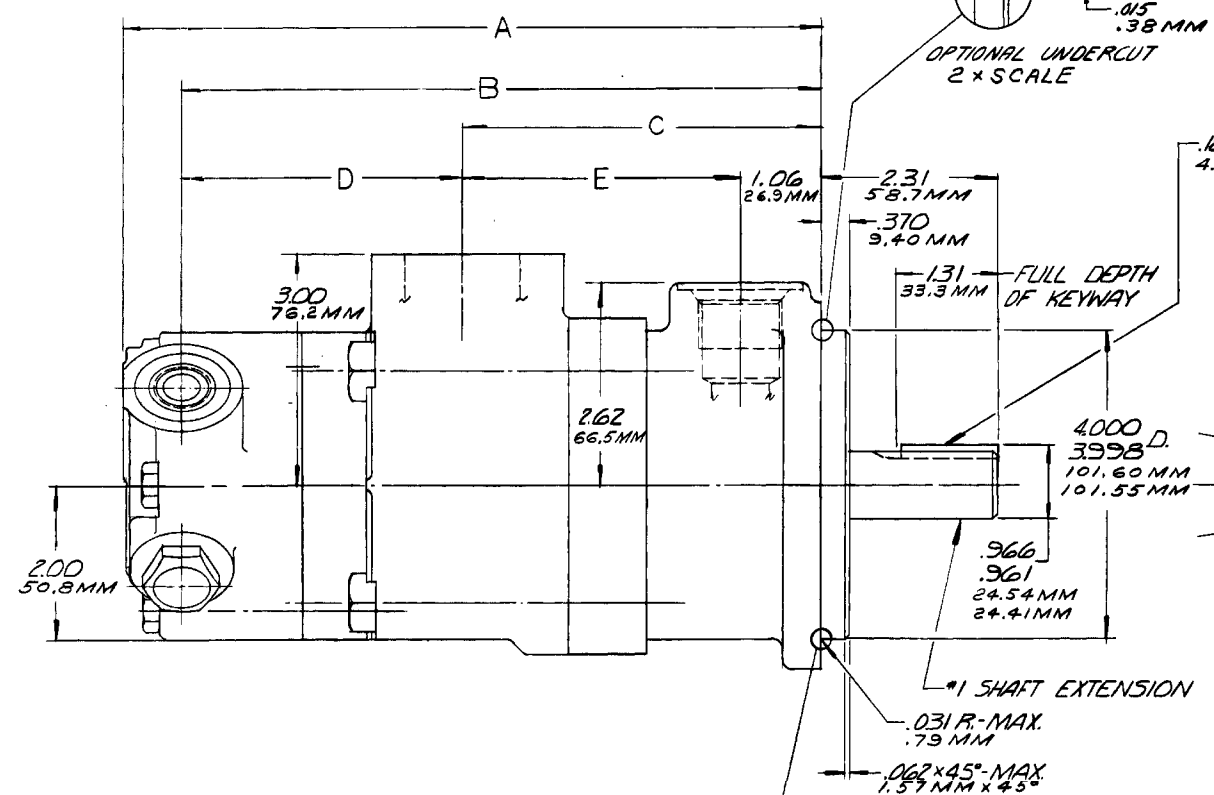
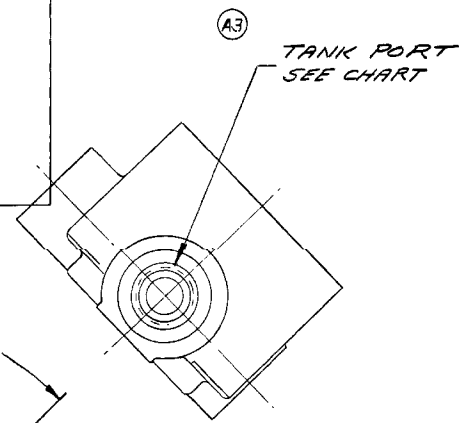
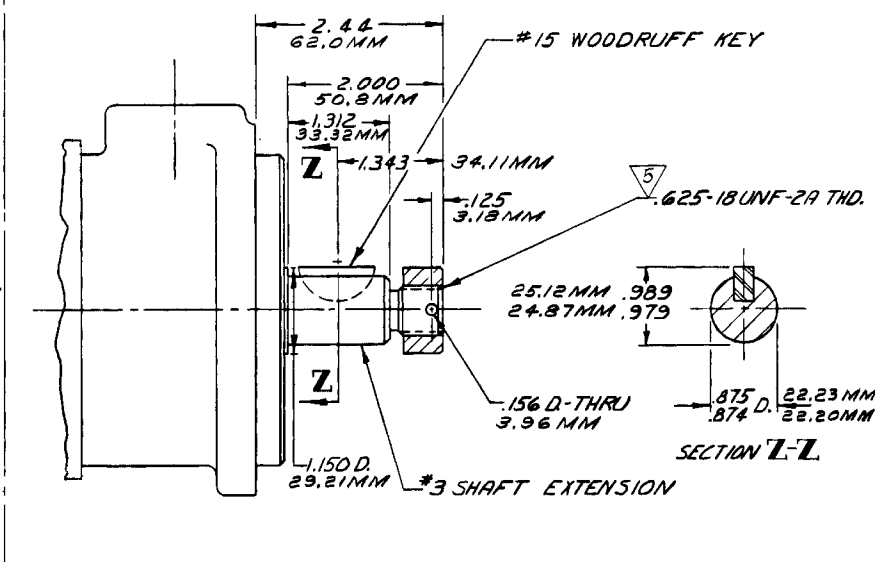
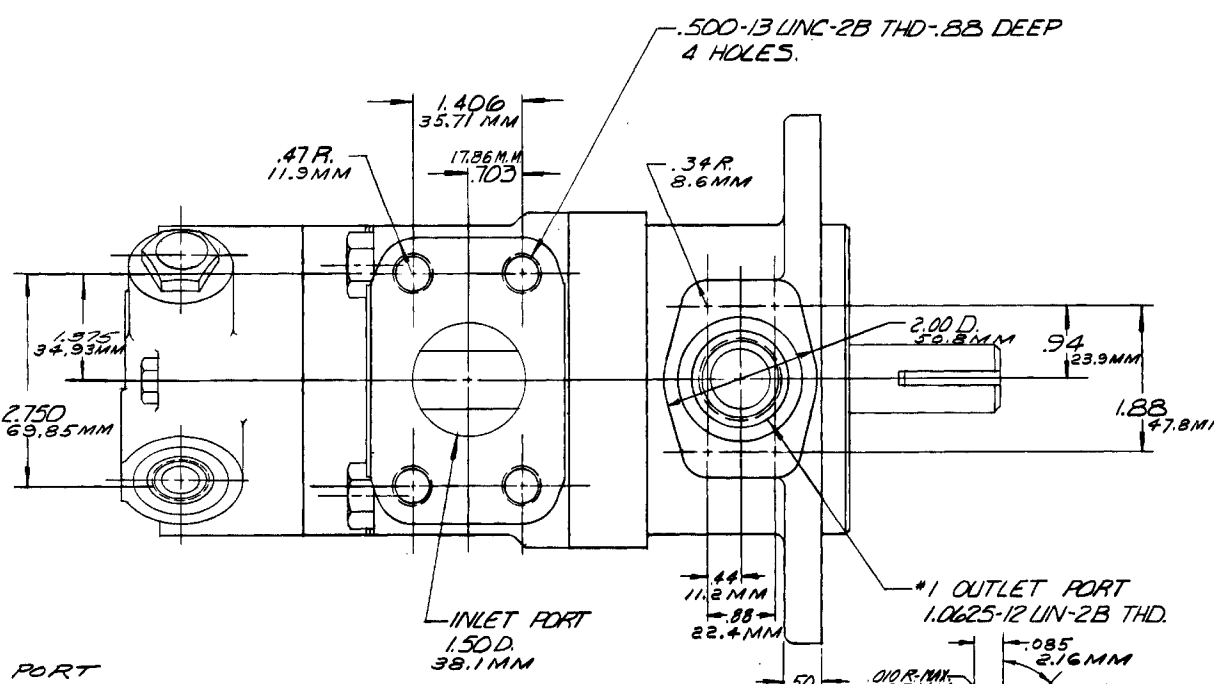
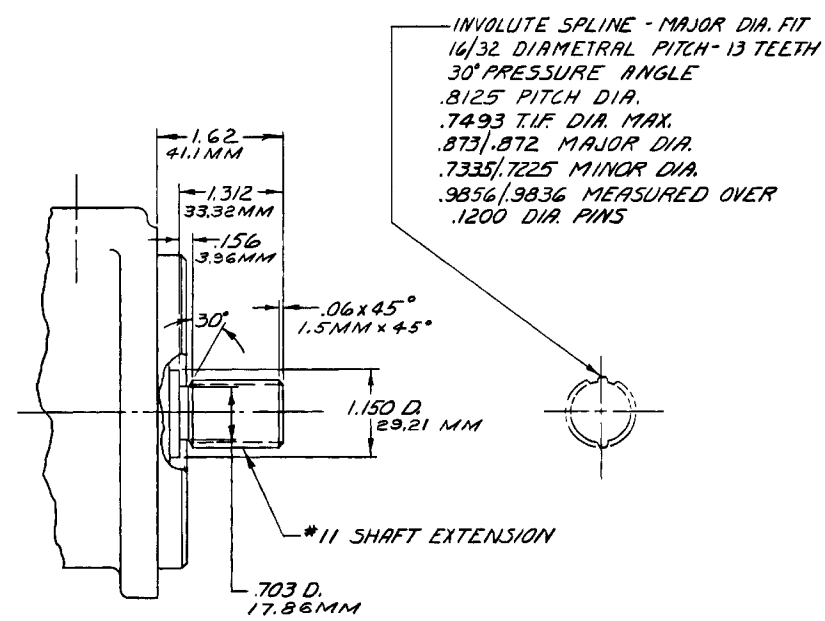


REVISIONS			
SYM	ZONE	DESCRIPTION	DATE APPROVED
A1		ADDED METRIC DIM'S.	11-21-63 O.W.F.
A2	5A	ADDED NOTES 2, 3, & 4	11-21-63 O.W.F.
A3	4A	ADDED CODED COVER PORT SIZES	11-21-63 O.W.F.
B	5A	NOTE ADDED (C.B.C.)	11-21-63 O.W.F.



RATED DELIVERY GPM		DIMENSION					MAX.	MAX. PSI	
2800 RPM	200 PSI	A	B	C	D	E	RPM	SHAFT END	COVER END
8	1	8.90	8.14	4.46	3.68	3.40	2800	2500	2500
30.283	7.71	226.1	206.8	113.3	93.5	86.4	2800	172.369	172.369
9	2	8.90	8.14	4.46	3.68	3.40	2800	2500	2500
34.063	8.91	226.1	206.8	113.3	93.5	86.4	2800	172.369	172.369
11	3	9.09	8.33	4.65	3.68	3.59	2500	2500	2500
41.640	11.356	230.9	211.6	118.1	93.5	91.2	2500	172.369	172.369
12	4	9.48	8.72	4.79	3.93	3.73	2400	2200	2500
45.425	15.142	240.8	221.5	121.7	99.8	94.7	2400	151.685	172.369
13	5	9.48	8.72	4.79	3.93	3.73	2400	2200	2500
49.210	19.327	240.8	221.5	121.7	99.8	94.7	2400	151.685	172.369
3	6	9.35	8.59	4.46	4.13	3.40	2800	2500	2200
34.063	22.712	237.5	218.2	113.3	104.3	86.4	2800	172.369	151.685
11	7	9.54	8.78	4.65	4.13	3.59	2500	2500	2000
41.640	26.498	242.3	223.0	118.1	104.3	91.2	2500	172.369	137.895
13	7	9.68	8.92	4.79	4.13	3.73	2400	2200	2000
49.210	26.498	245.9	226.6	121.7	104.3	94.7	2400	151.685	137.895

CODE	#2 OUTLET PORT	TANK PORT
T	.750-16 UN-2B THD	.750-16 UN-2B THD
P	.750-16 UN-2B THD	.500 NPT.

- SHAFT NUT TORQUE RECOMMENDED 90-100 LB.FT, 110 LB.FT. MAXIMUM.
- FOR THIS HIGH PERFORMANCE PRODUCT TO QUALIFY UNDER DANFOSS WARRANTY, IT IS TO BE USED IN CIRCUITS INITIALLY & CONTINUOUSLY FILTERED TO 25 MICRONS OR LESS.
 - NORMAL ROTATION IS CLOCKWISE FOR COUNTERCLOCKWISE ROTATION ADD SUFFIX "L" TO MODEL NO. EXAMPLE V2010F-*****-*****10L.
 - OUTLET PORTS CAN BE POSITIONED IN ANY ONE OF FOUR POSITIONS, AS INDICATED IN MODEL NO.
 - FOR OIL RECOMMENDATIONS REFER TO MOBILE HYDRAULIC FLUID RECOMMENDATION M-2950-S.

370463

B

10-07-1

VS 13.31

APPLICABLE SPECIFICATIONS

370463-42 MOD V2010F-113.3MM-104.3MM-94.7MM-104.3MM-104.3MM 10A SHW 16 PZ

UNLESS OTHERWISE SPECIFIED	REV. 32/21	DATE 8-1-63
SURFACE FINISH 125	DATE 8-1-63	DATE 8-1-63
R PLACE DECIMALS ± .03	DATE 8-1-63	DATE 8-1-63
3 PLACE DECIMALS ± .00	DATE 8-1-63	DATE 8-1-63
ANGULAR DIMENSIONS ± .2°	DATE 8-1-63	DATE 8-1-63
CONCENTRICITY .00 TR MAX.	DATE 8-1-63	DATE 8-1-63
REMOVE ALL BURRS & BREAK	DATE 8-1-63	DATE 8-1-63
ALL EDGES .015 MAX.	DATE 8-1-63	DATE 8-1-63
MACHINE PFR VS 13-31	DATE 8-1-63	DATE 8-1-63
MATERIAL	DATE 8-1-63	DATE 8-1-63
HEAT TREATMENT	DATE 8-1-63	DATE 8-1-63

INSTALLATION-DOUBLE VANES PUMP WITH FLOW CONTROL

370463

SCALE 1/11

WT. ACT. CALC SHEET

5

4

3

2

1