

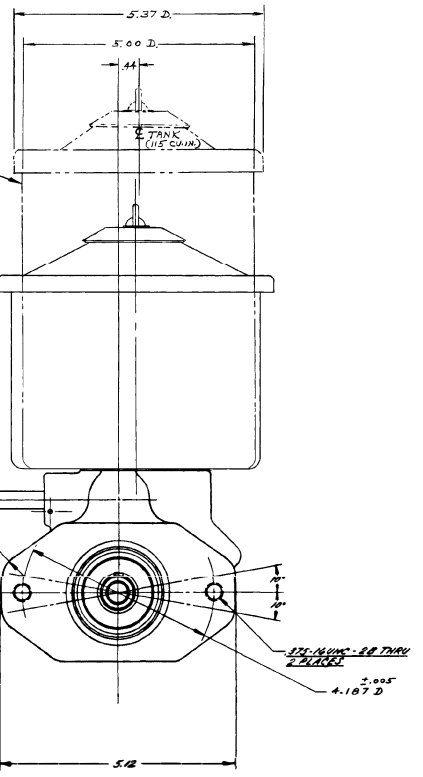
OIL RECOMMENDATIONS

HYDRAULIC SYSTEM OPERATING RANGE MIN TO MAX	TYPE
0°F TO 180°F	S.A.E. 10W
50°F TO 250°F	S.A.E. 30

PREFERRED VISCOSITY RANGE 4000 MAXIMUM TO 60 MINIMUM S.U.V.

NOTE:
 PUMP MUST BE OPERATED IN CLEAN HYDRAULIC SYSTEMS
 TO INSURE MAX. LIFE - SYSTEM PRECLEANING IS RECOMMENDED.
 MIN. OPERATING SPEED - 500 R.P.M. (A)
 MAXIMUM RECOMMENDED OPERATING SPEED - 625 R.P.M. (B)

(B) TO INSURE SATISFACTION IN THE APPLICATION OF THESE PUMPS, CONSULT YOUR DANFOSS REPRESENTATIVE.



BEAR DRIVES REQUIRE ENGINEERING APPROVAL
 CAUTION: TO REMOVE PULLEY FROM PUMP SHAFT USE GEAR PULLER.

283405

REV.	DATE	DESCRIPTION	BY	CHKD.
3C	D	WAS 6.85, CR-017024		
3A	C	-13 ADDED NOTE		
2D	B	NOTE ADDED		
1D	B	WAS 700 RPM		
1D	B	WAS 625 RPM		
2C	B	115 CU. IN. DIM. ADDED		
3B	B	1.87 R. REMOVED		
3A	B	VIEW ADDED		
1D	A	REWORKED TYPING		

DATE: 11/17/74
 TIME: 10:00 AM
 FILE: 11/17/74
 SHEET: 1 OF 1
 DRAWING NO.: 283405
 PART NO.: 283405
 TITLE: INSTALLATION - VANE PUMP
 SCALE: 1:1
 0 -02
 10/21/74
 Danfoss
 E 283405