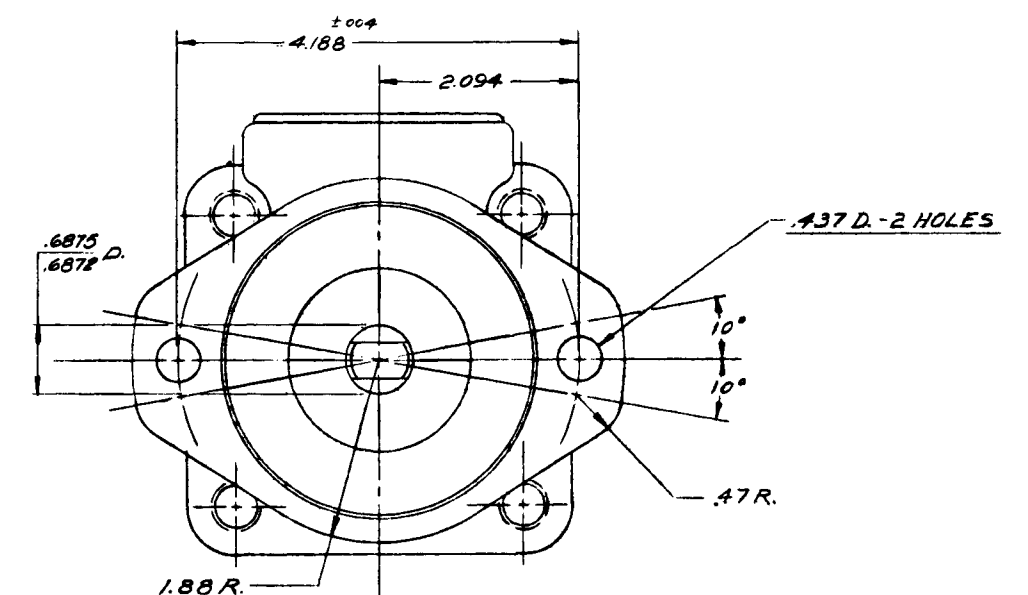
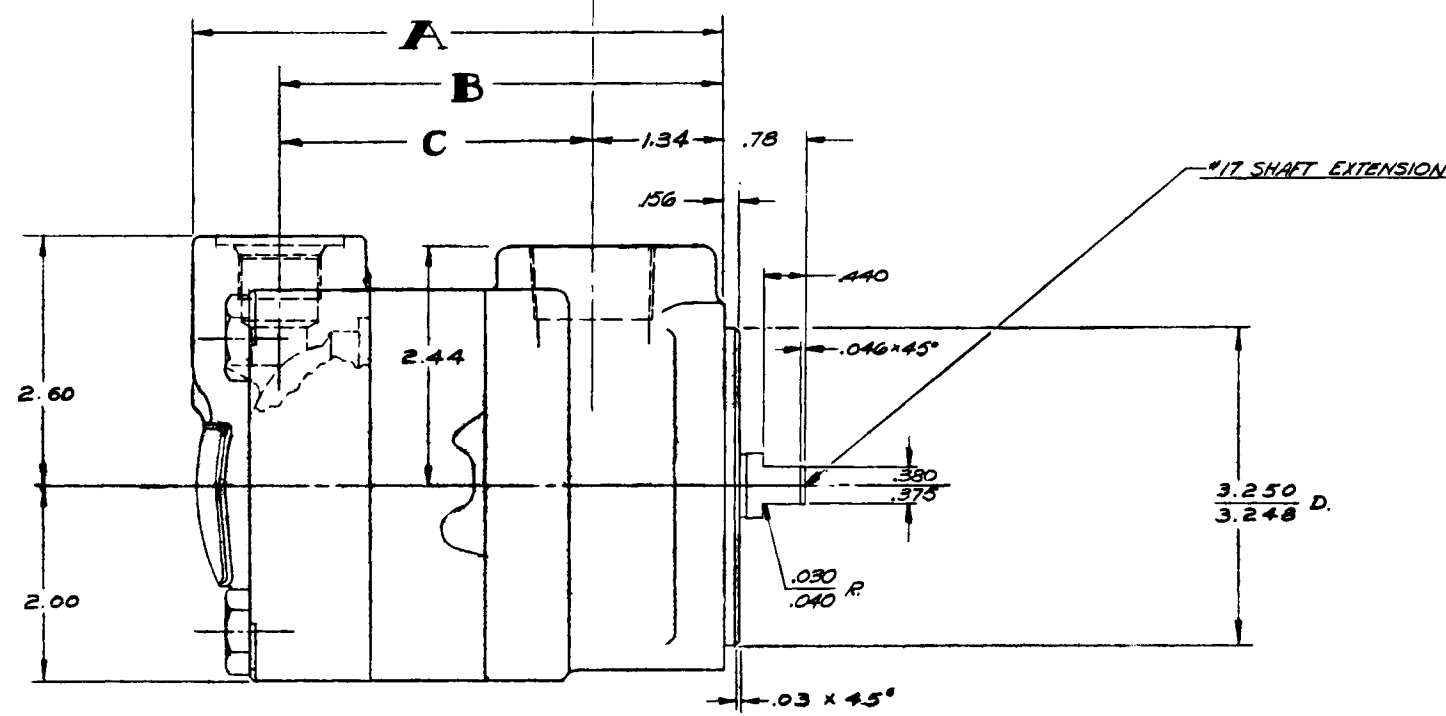
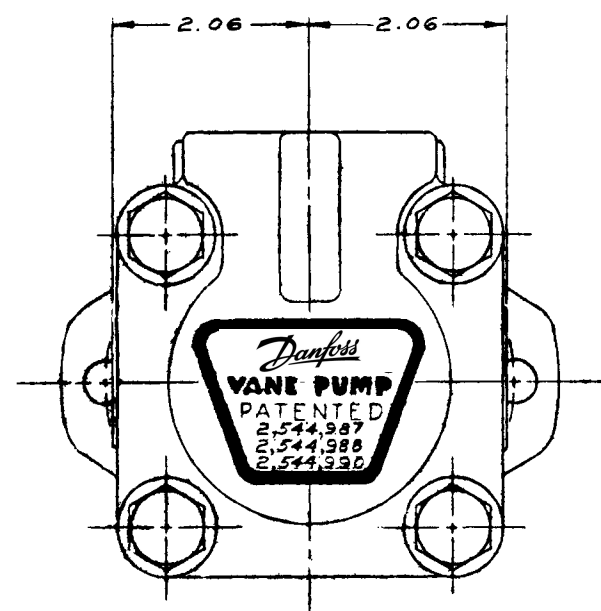
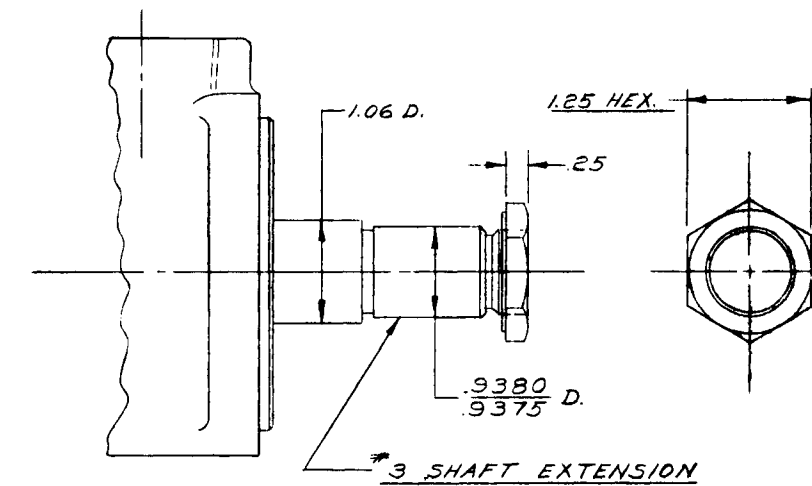
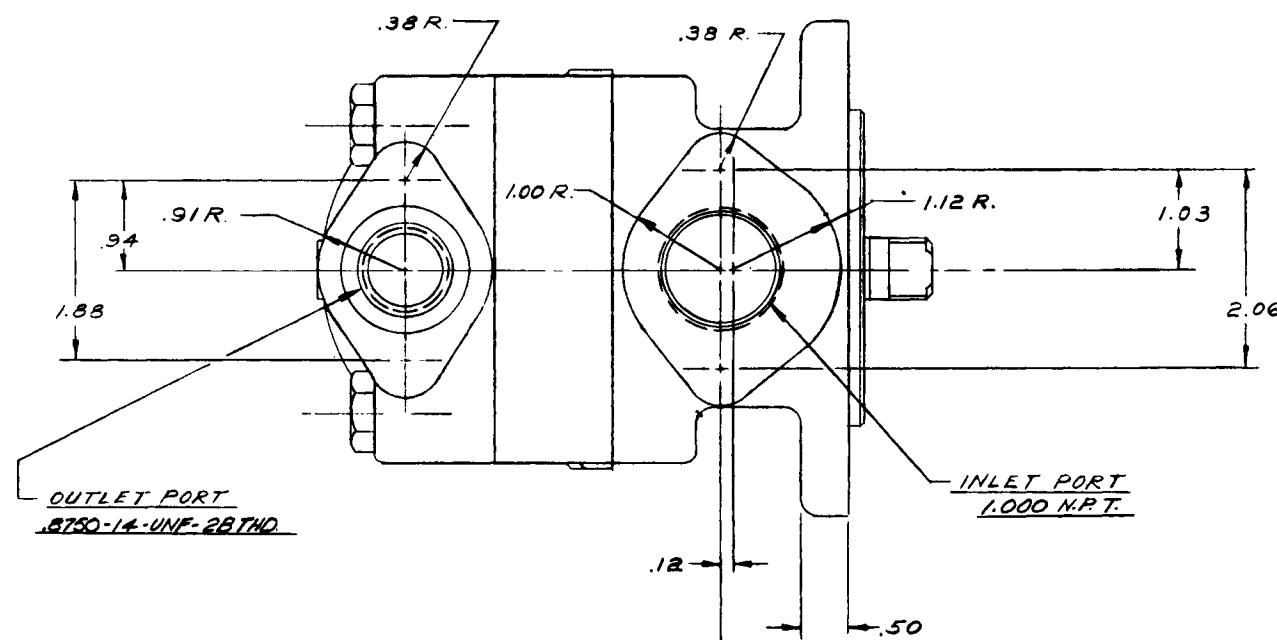
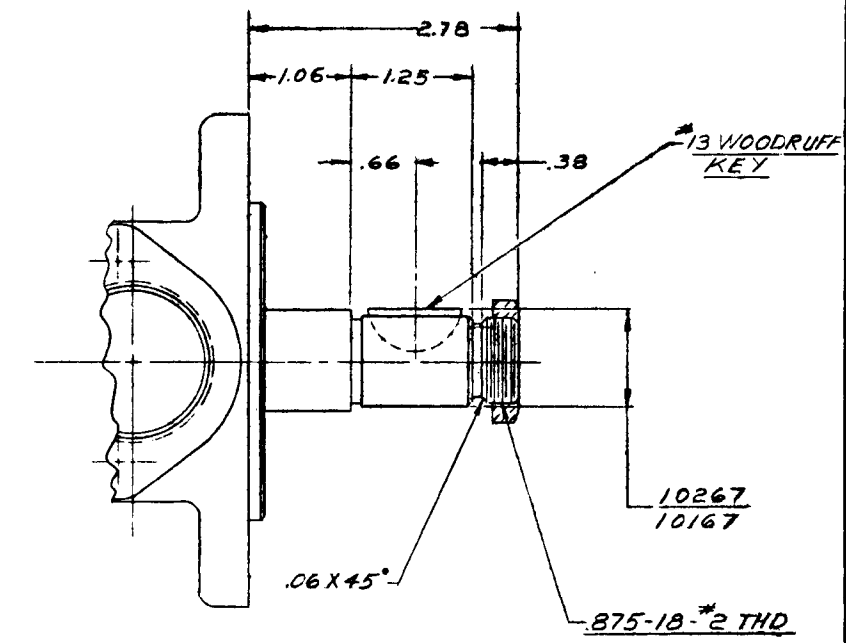


#1 SHAFT EXTENSION



313475
A

OIL RECOMMENDATIONS

HYDRAULIC SYSTEM OPERATING RANGE MIN. TO MAX.	TYPE
0°F TO 180°F	S.A.E. 10W OR AUTOMATIC TRANSMISSION FLUID, TYPE 'A'
15°F TO 210°F	S.A.E. 20
32°F TO 230°F	S.A.E. 30
0°F TO 210°F	S.A.E. 10W-30

PREFERRED VISCOSITY RANGE 4000 MAXIMUM TO 60 MINIMUM S.S.U.

DELIVERY G.P.M. AT 1200 R.P.M. & 100 P.S.I.	DIMENSION				MAX. R.P.M.	MAX. P.S.I.
	A	B	C	D		
6 G.P.M.	4.93	4.02	2.68	2.80	3400	2500
7 G.P.M.	5.18	4.27	2.93	3.05	2800	2500
8 G.P.M.	5.18	4.27	2.93	3.05	2800	2500

MODEL V20-XXX-XX/10 UNLESS OTHERWISE SPECIFIED SURFACE FINISH 12.5 12 PLACE DECIMAL I. 83 13 PLACE DECIMAL I. 818 14 PLACE DECIMAL I. 818 15 PLACE DECIMAL I. 818 16 PLACE DECIMAL I. 818 17 PLACE DECIMAL I. 818 18 PLACE DECIMAL I. 818 19 PLACE DECIMAL I. 818 20 PLACE DECIMAL I. 818 21 PLACE DECIMAL I. 818 22 PLACE DECIMAL I. 818 23 PLACE DECIMAL I. 818 24 PLACE DECIMAL I. 818 25 PLACE DECIMAL I. 818 26 PLACE DECIMAL I. 818 27 PLACE DECIMAL I. 818 28 PLACE DECIMAL I. 818 29 PLACE DECIMAL I. 818 30 PLACE DECIMAL I. 818 31 PLACE DECIMAL I. 818 32 PLACE DECIMAL I. 818 33 PLACE DECIMAL I. 818 34 PLACE DECIMAL I. 818 35 PLACE DECIMAL I. 818 36 PLACE DECIMAL I. 818 37 PLACE DECIMAL I. 818 38 PLACE DECIMAL I. 818 39 PLACE DECIMAL I. 818 40 PLACE DECIMAL I. 818 41 PLACE DECIMAL I. 818 42 PLACE DECIMAL I. 818 43 PLACE DECIMAL I. 818 44 PLACE DECIMAL I. 818 45 PLACE DECIMAL I. 818 46 PLACE DECIMAL I. 818 47 PLACE DECIMAL I. 818 48 PLACE DECIMAL I. 818 49 PLACE DECIMAL I. 818 50 PLACE DECIMAL I. 818 51 PLACE DECIMAL I. 818 52 PLACE DECIMAL I. 818 53 PLACE DECIMAL I. 818 54 PLACE DECIMAL I. 818 55 PLACE DECIMAL I. 818 56 PLACE DECIMAL I. 818 57 PLACE DECIMAL I. 818 58 PLACE DECIMAL I. 818 59 PLACE DECIMAL I. 818 60 PLACE DECIMAL I. 818 61 PLACE DECIMAL I. 818 62 PLACE DECIMAL I. 818 63 PLACE DECIMAL I. 818 64 PLACE DECIMAL I. 818 65 PLACE DECIMAL I. 818 66 PLACE DECIMAL I. 818 67 PLACE DECIMAL I. 818 68 PLACE DECIMAL I. 818 69 PLACE DECIMAL I. 818 70 PLACE DECIMAL I. 818 71 PLACE DECIMAL I. 818 72 PLACE DECIMAL I. 818 73 PLACE DECIMAL I. 818 74 PLACE DECIMAL I. 818 75 PLACE DECIMAL I. 818 76 PLACE DECIMAL I. 818 77 PLACE DECIMAL I. 818 78 PLACE DECIMAL I. 818 79 PLACE DECIMAL I. 818 80 PLACE DECIMAL I. 818 81 PLACE DECIMAL I. 818 82 PLACE DECIMAL I. 818 83 PLACE DECIMAL I. 818 84 PLACE DECIMAL I. 818 85 PLACE DECIMAL I. 818 86 PLACE DECIMAL I. 818 87 PLACE DECIMAL I. 818 88 PLACE DECIMAL I. 818 89 PLACE DECIMAL I. 818 90 PLACE DECIMAL I. 818 91 PLACE DECIMAL I. 818 92 PLACE DECIMAL I. 818 93 PLACE DECIMAL I. 818 94 PLACE DECIMAL I. 818 95 PLACE DECIMAL I. 818 96 PLACE DECIMAL I. 818 97 PLACE DECIMAL I. 818 98 PLACE DECIMAL I. 818 99 PLACE DECIMAL I. 818 100 PLACE DECIMAL I. 818		REV. 296637 BY RUMING DATE 9/24/65 CHECKED BY DATE 9/24/65 T.O. NO. DATE PROJ. NO. B-5756-022-135 DATE PART DATE 9/24/65 APP. DATE SCALE 1/1	Danfoss 313475 A
---	--	---	------------------------