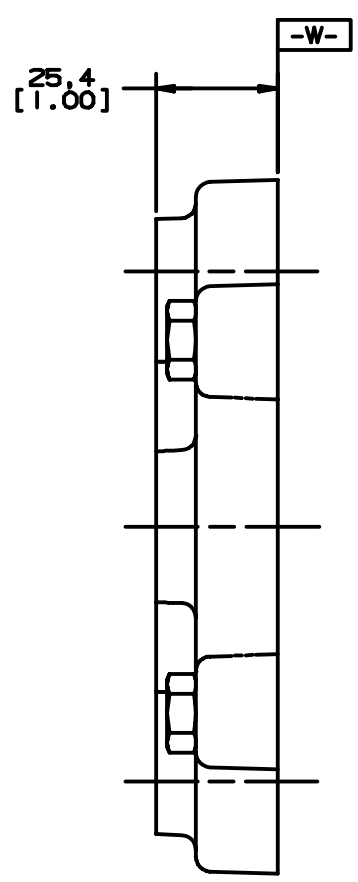
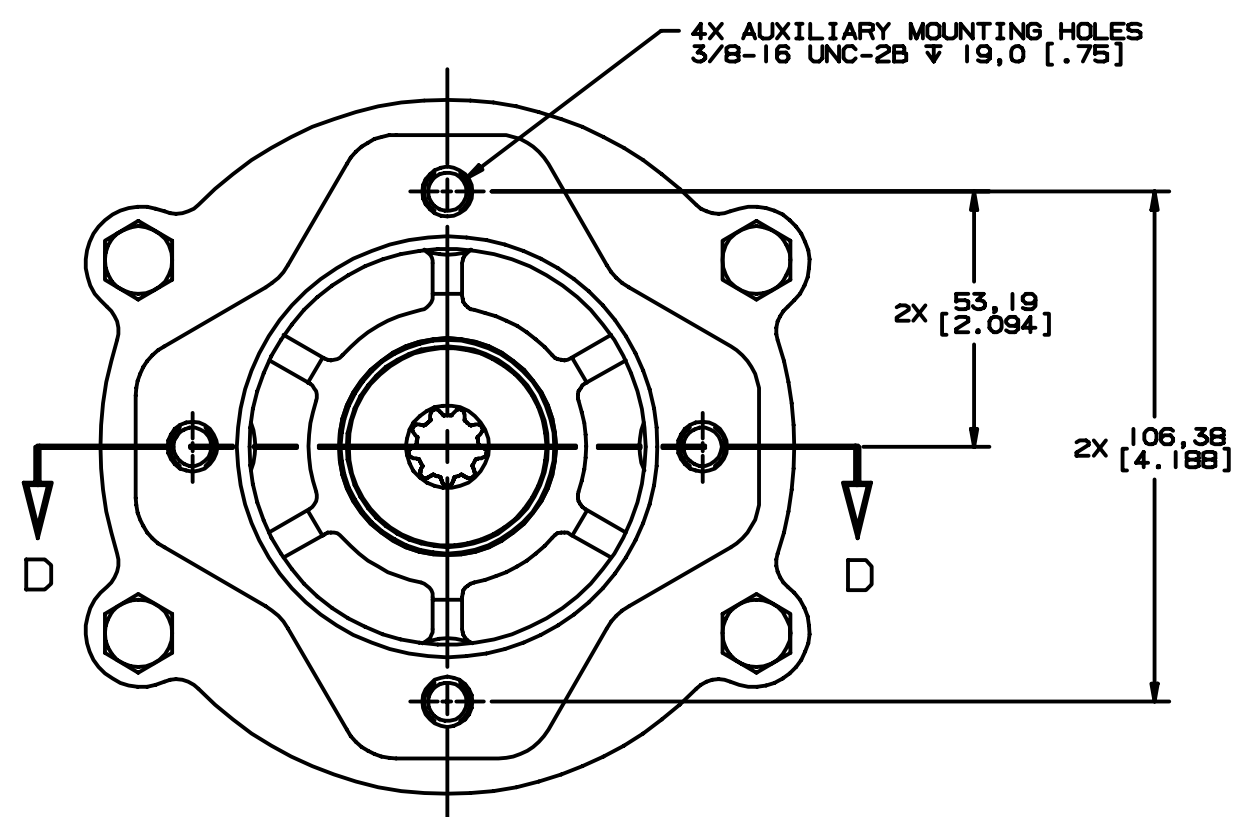
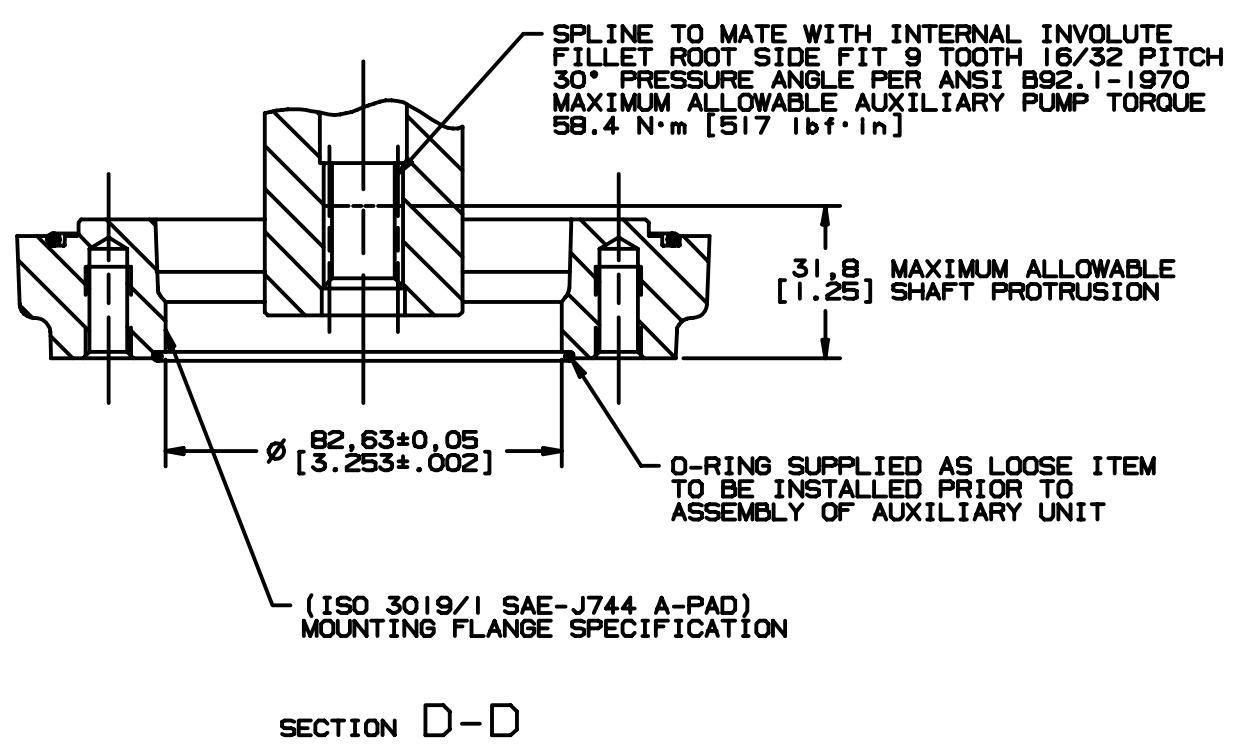


REV	DESCRIPTION	BY	CHK	DATE	ECN
A	RELEASE FOR SAMPLES AND ESTIMATE	RLL		5-9-95	X7920
B	ENGINEERING RELEASE - (I) REVISED PICTORIALY	JJV		4-15-96	28055



NOTE
1 AUXILIARY PAD DOES NOT HAVE A SHAFT SEAL.
SPLINES ARE LUBRICATED. AUXILIARY PUMP MUST
WITHSTAND A MAX CASE PRESSURE OF 200 lbf/in²

UNLESS OTHERWISE SPECIFIED ALL DIMENSIONS ARE IN INCHES <input type="checkbox"/> DECIMALS <input checked="" type="checkbox"/> FRACTIONS (BOXES)	DRAWING BASED ON ANSI Y14.5M-1982		
	THE REPRODUCTION, DISTRIBUTION, AND UTILIZATION OF THIS DOCUMENT, AS WELL AS THE COMMUNICATION OF ITS CONTENTS TO OTHERS WITHOUT EXPLICIT AUTHORIZATION IS PROHIBITED. OFFENDERS WILL BE HELD LIABLE FOR THE PAYMENT OF DAMAGES. ALL RIGHTS RESERVED IN THE EVENT OF THE GRANT OF A PATENT, UTILITY MODEL, OR DESIGN. (PER ISO 16016)		
TOLERANCES .X A --- .XX A --- .XXX A --- < A ---	DATE: RLL 5-31-95 DRAWN: MFW 12-2-95 CHECKED: MFW 12-2-95	MATERIAL/HEAT TREAT FILE A-PAD ADAPTER INSTALLATION	
UNSPECIFIED RAZES ARE ---	UNSPECIFIED DRAFT ANGLES ARE ---	THIRD ANGLE PROJECTION <input checked="" type="checkbox"/>	MICROFILM <input type="checkbox"/>
DRAWING FORMALLY CHECKED BY: []	DO NOT SCALE	SCALE 1/1	SHEET 1 OF 1