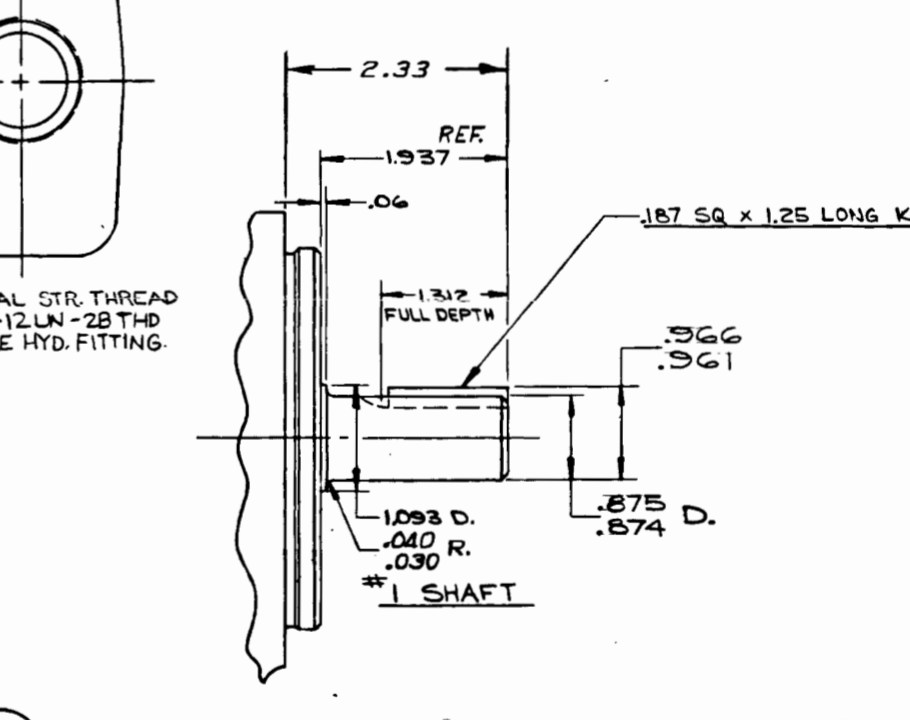
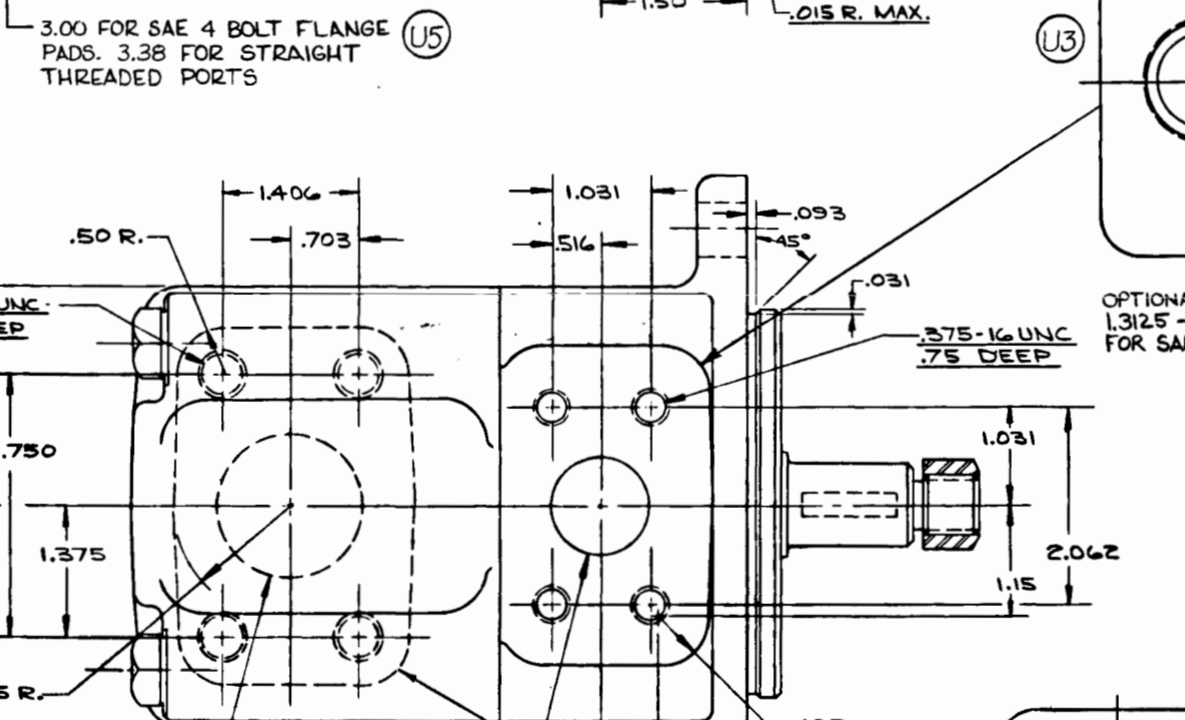
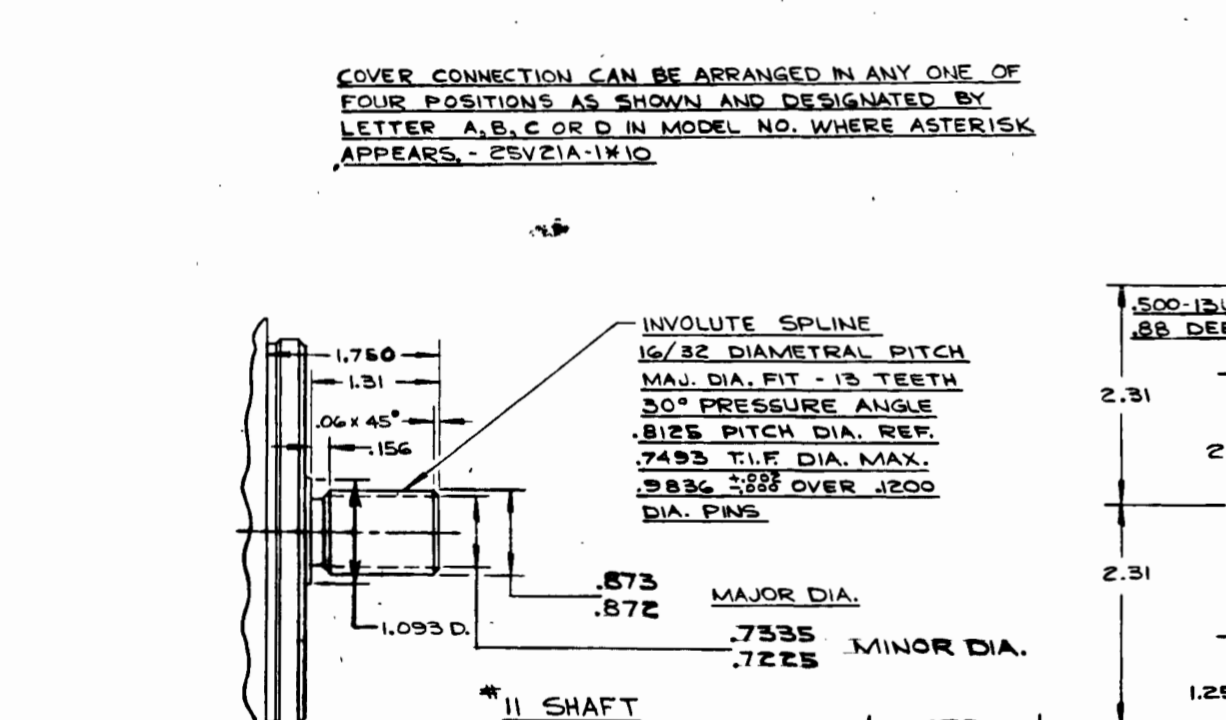
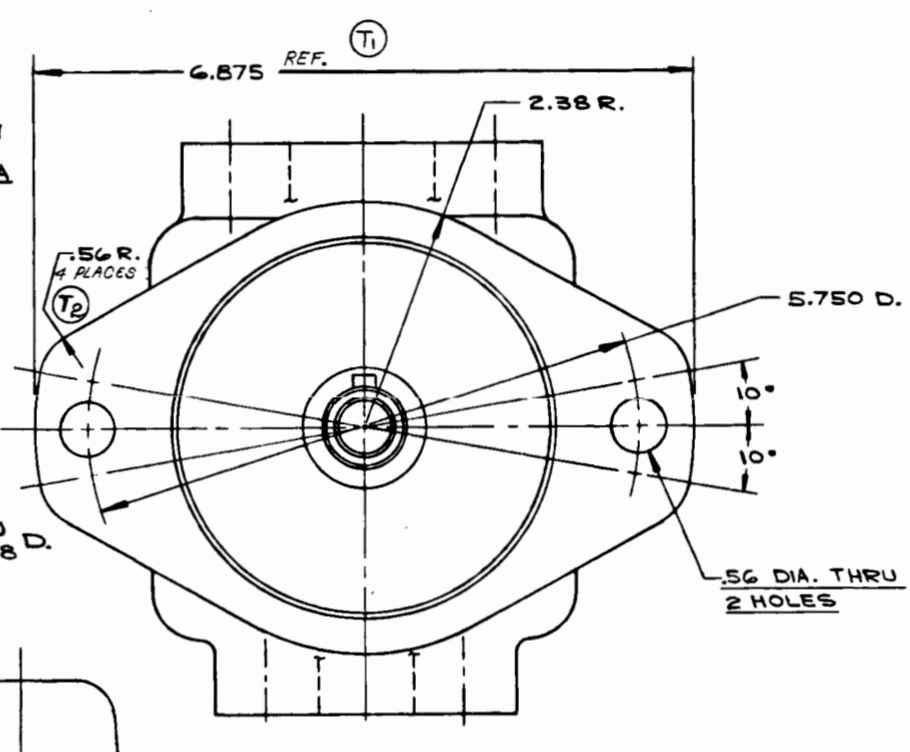
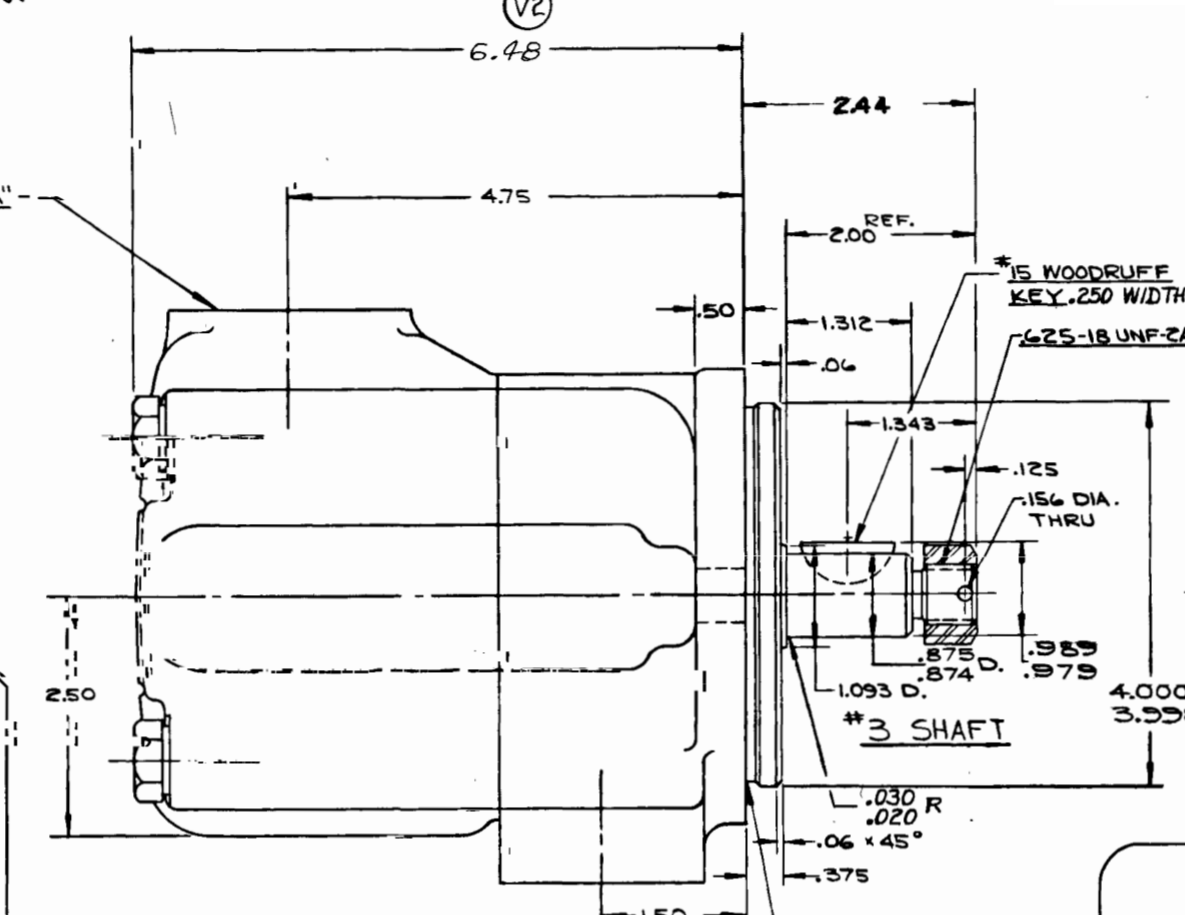
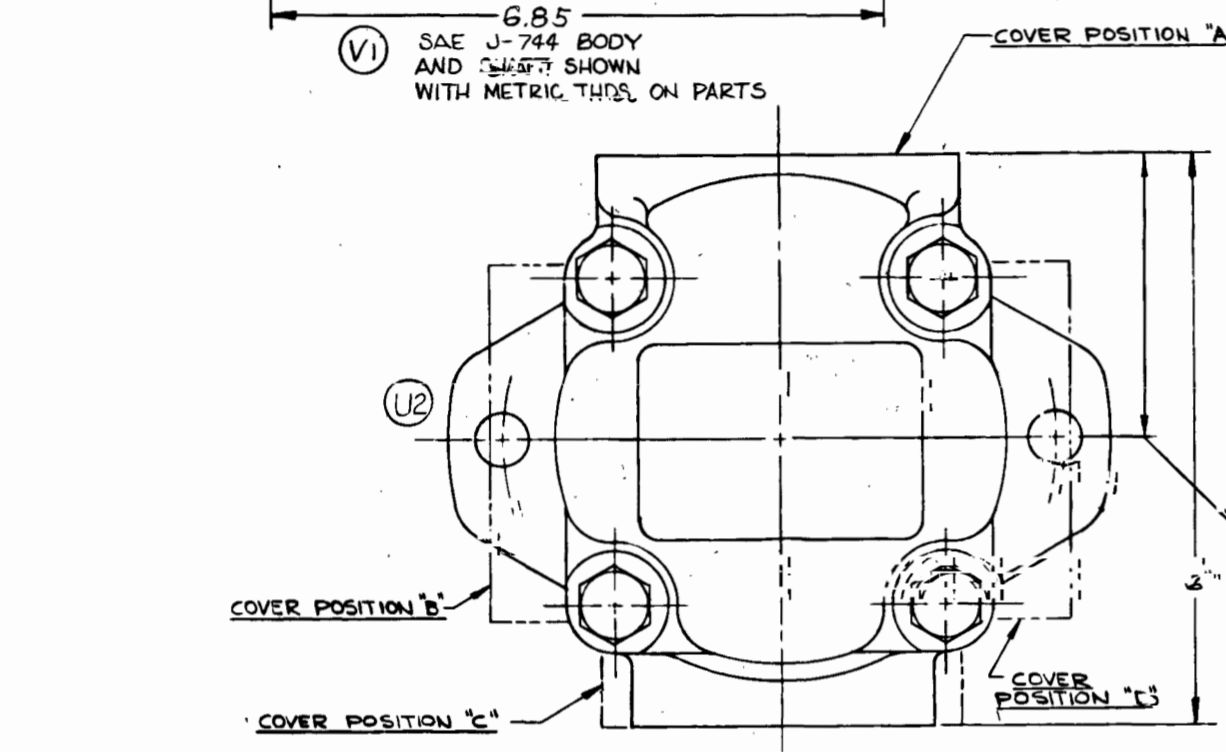


EXTERNAL INVOLUTE SPLINE			
FIAT STANDARD 01619			
1.0827	PITCH DIA	.9376	BASE DIA
FLAT ROOT		SIDE FIT	
10	TEETH	2.75	MODULE
		30° PR ANGLE	
MAJOR DIA	FORM DIA	MINOR DIA	
1.1693	MAX	.933 MAX	
1.1642	MIN	.914 MIN	
0.046 ADDENDUM			
CIRCULAR TOOTH THICKNESS			
.1685 MAX EFF		MAX ACT REF	
MIN EFF REF		.1647 MIN ACT	
MEASUREMENT OVER		.2187 DIA PINS	
1.426 MAX REF		1.422 MIN REF	

REVISIONS				
SYM	ZONE	DESCRIPTION	DATE	APPROVED
S		REVISED & REDRAWN WAS "D" SIZE	7/16/63	C.W.F.
T	2C	1) ADDED REF. TO 6.875 DIM.	10/1/63	D.E.J.
	2C	2) ADDED "A PLACES" TO .56 R DIM.	10/1/63	
U	4D	ECN NO. 0930128	UP	
	4C	1) ADDED VIEW OF SAE J-744 BODY/SHAFT	12/1/63	R.E.
	2B	2) REMOVED IDENTIFICATION PLATE		
	3A	3) ADDED VIEW OF OPTIONAL THREAD (2 PINS)		
	3C	4) ADDED NOTE		
	3C	5) NOTE REPLACED 3"		
V	4D	ECN NO. 0950511	12/1/63	R.E.
	3D	1) 6.85 WAS 6.75	J.T.C.	
	3D	2) 6.48 WAS 6.38		
W	2D	ECR NO 0027382	25 SEP 10	ATN
	2D	ADDED VIEW FOR # 140		SCP



MODEL	GPM @ 1200 RPM & 100 PSI
25V2A-XXX10	12
25V4A-XXX10	14
25V7A-XXX10	17
25V21A-XXX10	21

MODEL DESIGNATION - 25V\*\*\*-\*\*\*10 - REFER TO DANFOSS MASTER MODEL CODE

MAXIMUM RECOMMENDED SPEED FOR:

12 & 14 GPM RINGS --- 2700 RPM

17 & 21 GPM RINGS --- 2500 RPM

MAXIMUM RECOMMENDED PRESSURE: --- 3000 PSI

FLUID RECOMMENDATIONS:

SEE REFERENCE DATA SHEET M-2550-S

NORMAL ROTATION IS CLOCKWISE. FOR COUNTER CLOCKWISE ROTATION ADD SUFFIX "L" TO MODEL NO.

FOR THIS HIGH PERFORMANCE PRODUCT TO QUALIFY UNDER DANFOSS WARRANTY IT IS TO BE USED IN CIRCUITS INITIALLY AND CONTINUOUSLY FILTERED TO 25 MICRONS OR LESS.

PUMP DRIVE - PUMP IS RECOMMENDED FOR DIRECT COAXIAL DRIVE. IF DRIVES IMPOSING RADIAL SHAFT LOADS ARE CONSIDERED, CONSULT THE DANFOSS SALES REPRESENTATIVE.

UNLESS OTHERWISE SPECIFIED		MOD 25V21A-XXX10	
SURFACE FINISH	125	DR D. NICHOLS	DATE 12-15-63
2 PLACE DECIMALS ± .03		CHK A.H.	DATE 1-5-64
3 PLACE DECIMALS ± .010		T.O. REL. A.H.	DATE 1-5-64
ANGULAR DIMENSIONS ± 2°		PROD. REL. A.H.	DATE 5-11-60
CONCENTRICITY .010 TIR MAX.		STDS REVIEW	DATE
REMOVE ALL BURRS & BREAK ALL EDGES .010 MAX.		MFG REVIEW	DATE
MACHINE PER VS 1-3-3-1		ENGRG APP	DATE
MATERIAL		APP	DATE
HEAT TREATMENT			

233766

INSTALLATION - PUMP

233766

SCALE 1/1 WT ACT. CALC SHEET 1