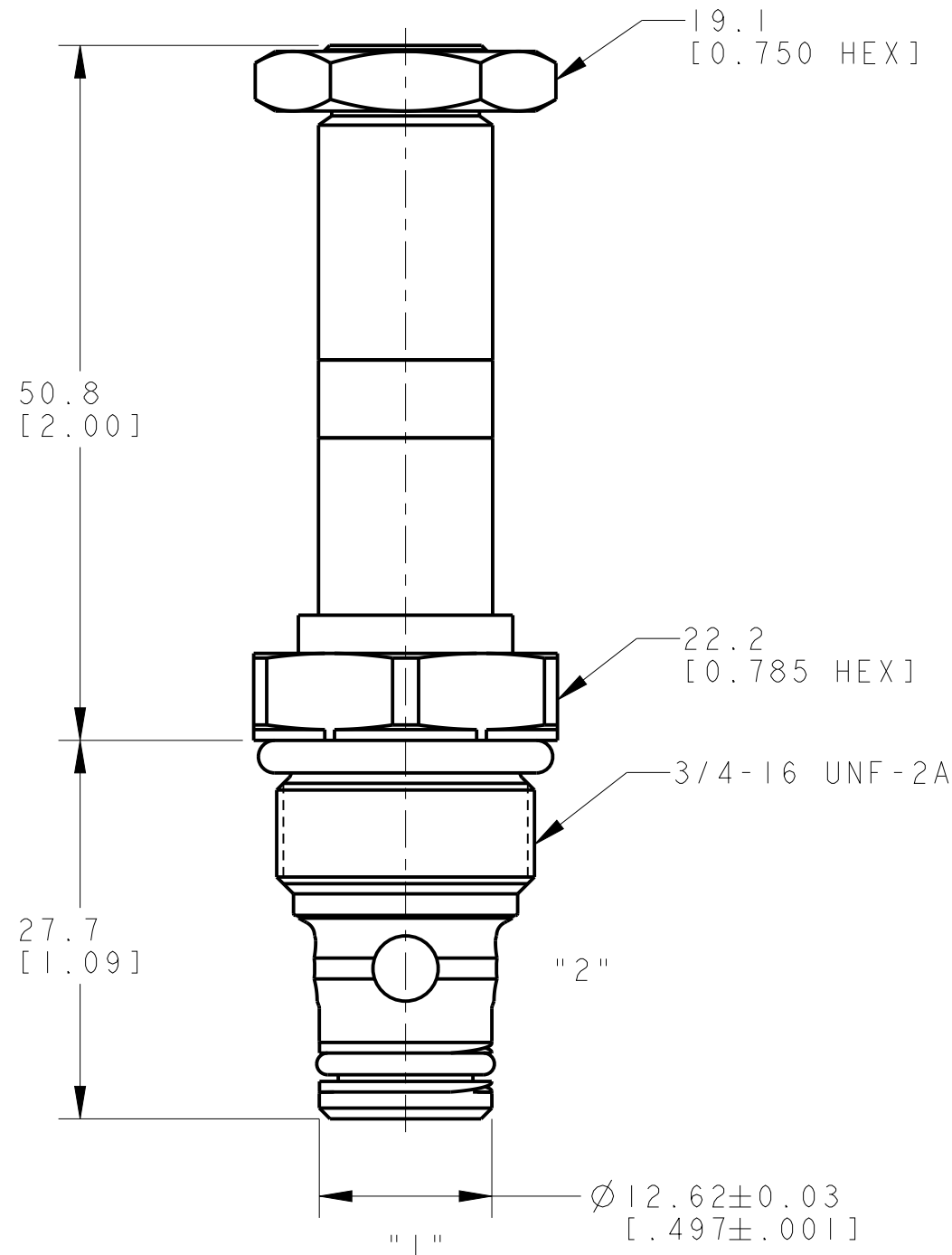
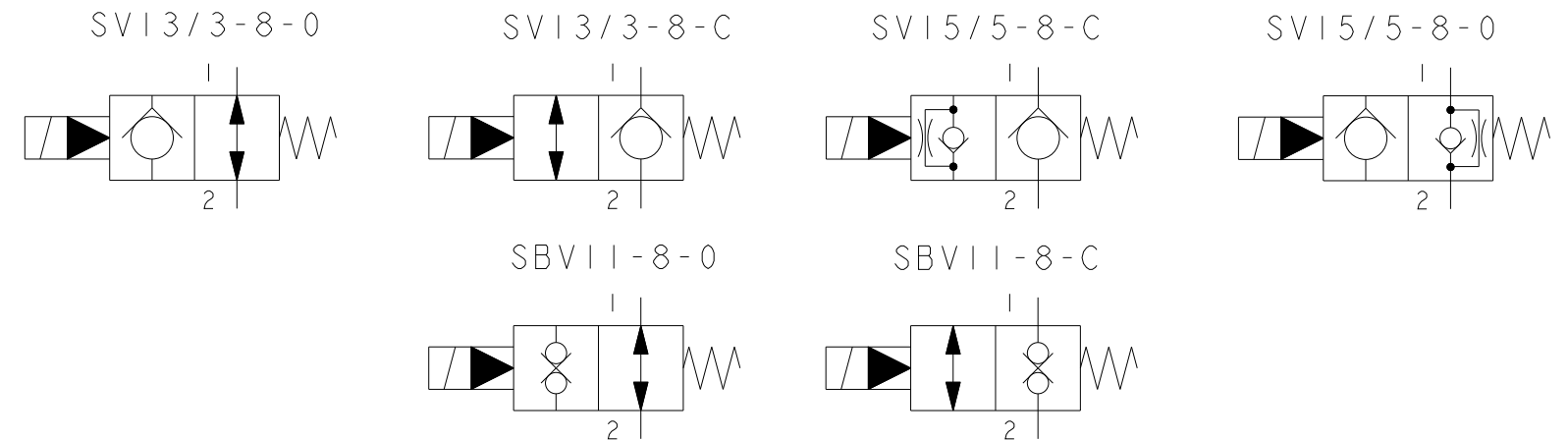


REV	DESCRIPTION	BY	CHK	DATE	ECN / MPS
A	ENGINEERING RELEASE	JGS	AH	2/12/05	M63978
B	CORE TUBE ASSEMBLY 6026512-001 WAS 24544	MBK	YKP	08/05/15	0113337



HYDRAULIC SYMBOLS



NOTE:

- 1 USE VALVE CAVITY C-8-2
- 2 NET WEIGHT:
CARTRIDGE ONLY: .11 kg [.25 lb]
CARTRIDGE W/COIL: .31 kg [.69 lb]
CARTRIDGE W/COIL AND STEEL BODY: .92 kg [2.03 lb]
- 3 TORQUE INTO
ALUMINIUM CAVITY 34-41 N.m [25-30 lbf.ft]
STEEL CAVITY 34-41 N.m [25-30 lbf.ft]



REVIEWED FOR CLASSIFICATION PER ESP-042

UNLESS OTHERWISE SPECIFIED ALL DIMENSIONS ARE IN		DRAWING BASED ON ASME Y14.5-2009	
INCHES <input type="checkbox"/>	MILLIMETERS (INCHES) <input checked="" type="checkbox"/>	THE REPRODUCTION, DISTRIBUTION, AND UTILIZATION OF THIS DOCUMENT, AS WELL AS THE COMMUNICATION OF ITS CONTENTS TO OTHERS WITHOUT EXPLICIT AUTHORIZATION IS PROHIBITED. OFFENDERS WILL BE HELD LIABLE FOR THE PAYMENT OF DAMAGES. ALL RIGHTS RESERVED IN THE EVENT OF THE GRANT OF A PATENT, UTILITY MODEL, OR DESIGN. (PER ISO 16016)	
TOLERANCES		DRAWN JGS BY/DATE 1/11/05	
.X \pm	.XX \pm	CHECKED AH BY/DATE 3/14/05	MATERIAL/HEAT TREAT
.XXX \pm	\leq \pm	ENGRG --- BY/DATE ---	TITLE
UNSPECIFIED RADII ARE:		METALLURGY --- BY/DATE ---	NO MANUAL OVERRIDE INSTALLATION SV15-8X-0/C, SV13-8X-0/C & SBV11-8X-0/C
UNSPECIFIED DRAFT ANGLES ARE:		NUMBER A-2416-096	
B SIZE		THIRD ANGLE PROJECTION	SCALE 1/1
		DO NOT SCALE	SHEET 1 OF 1

