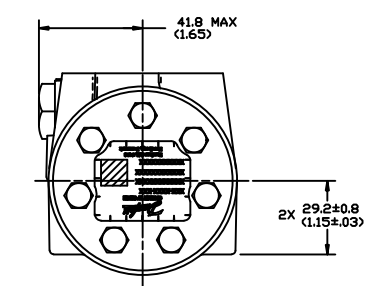
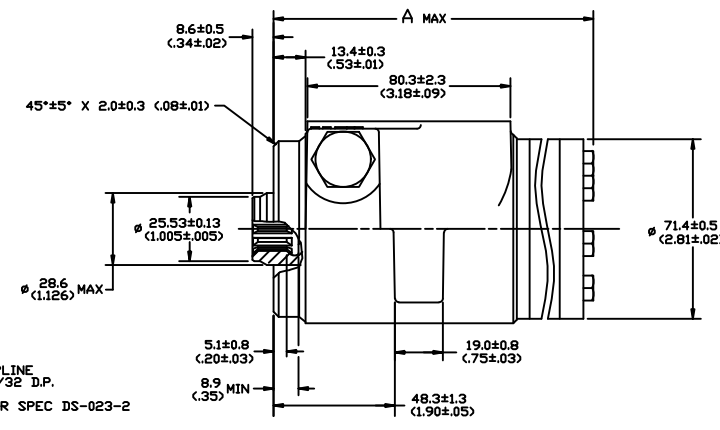
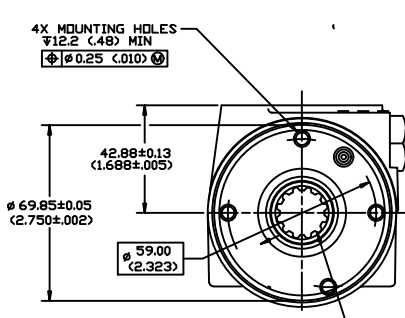
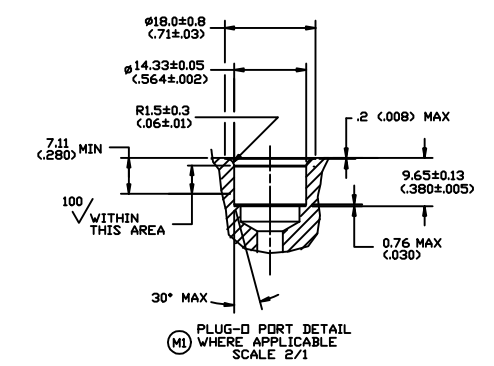
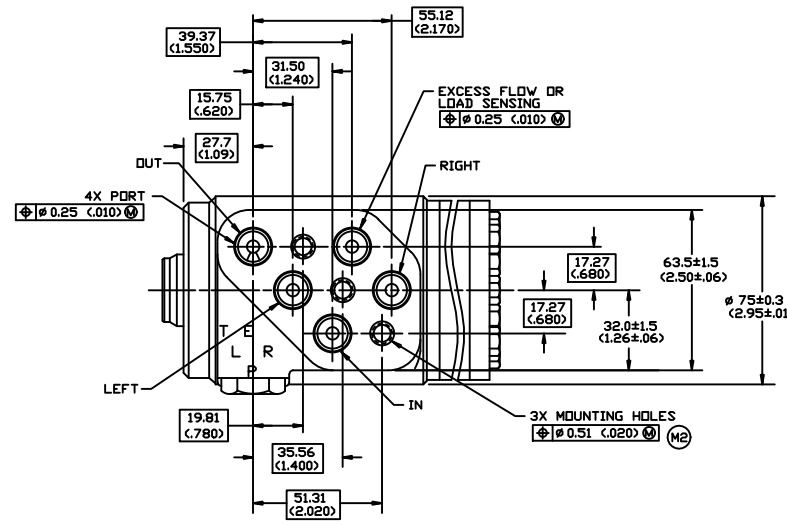


DISPLACEMENT		A	MAX
CODE	cm3/r (in3/r)		
35	31.5 (1.92)	123.4	(4.86)
37	39.5 (2.41)	125.2	(4.93)
39	50.8 (3.10)	124.2	(4.89)
41	63.1 (3.85)	126.2	(4.97)
43	73.8 (4.50)	128	(5.04)
46	100 (6.10)	132.3	(5.21)
48	120.0 (7.33)	135.4	(5.33)

SYM	REVISION	BY	DATE	ECN
A	ENGINEERING RELEASE	DGS	3-4-91	20209
E	REVISED	LMD	4-28-93	23942
F	(8D) ADD DISPL CODES 35, 37, AND 48	LK	11-28-93	24852
G	-1X(3C) 32.0±1.5 (1.26±0.06) WAS 32.0±0.5 (1.26±0.03) -2X(3D) 63.5±1.5 (2.50±0.06) WAS 63.5±0.8 (2.50±0.03)	JSH	11-18-94	26199
H	(7B) PICTORIAL CHANGE TO LEFT END VIEW	JSH	9-8-98	26847
J	-1X(4D) REMOVED OLD NAMEPLATE -2X ADDED NEW NAMEPLATE	LMD	5-4-99	32543
K	(5B) PICTORIAL CHANGE TO SPOOL END	AH	12/2/01	39440
L	REVISED SEE ECD	KRD	07/28/10	M78877-1
M	-1X(2C) ADDED "WHERE APPLICABLE" -2X(3C) REMOVED "SEE TAB A" FROM PORT CALLOUT	SVJ	12/18/12	0079669



INVOLUTE SPLINE  
12 TOOTH 16/32 D.P.  
30° P.A.  
▽ SHOWN, PER SPEC DS-023-2

MRSQ

UNLESS OTHERWISE SPECIFIED, DIMENSIONS ARE IN		DRAWING BASED ON ANSI Y14.5M-1982	
INCHES <input type="checkbox"/>	MILLIMETERS <input checked="" type="checkbox"/>	THE REPRODUCTION, DISTRIBUTION AND UTILIZATION OF THIS DOCUMENT AS WELL AS THE COMMUNICATION OF ITS CONTENTS TO OTHER WITHOUT EXPLICIT AUTHORIZATION IS PROHIBITED. OFFENDERS WILL BE HELD LIABLE FOR THE PAYMENT OF DAMAGES. ALL RIGHTS RESERVED IN THE EVENT OF THE GRANT OF A PATENT, UTILITY MODEL OR DESIGN. OVER 100 000 000	
TOLERANCES			
XX ± ---		DATE DGS 2-13-91	NATURAL/HEAT TREAT
XX ± ---		DATE LK 6-20-91	
XX ± ---		DATE JSH 6-24-91	TITLE
UNSPECIFIED DIMS ARE	WYSANE	MINI SCU INSTALLATION	
UNSPECIFIED DRAFT ANGLES ARE		REVISIONS	NUMBER
THIRD ANGLE PROJECTION	DO NOT SCALE	A-274-000	
DRAWING FORMAT	DO NOT SCALE	SCALE 1/1	SHEET 1 OF 1