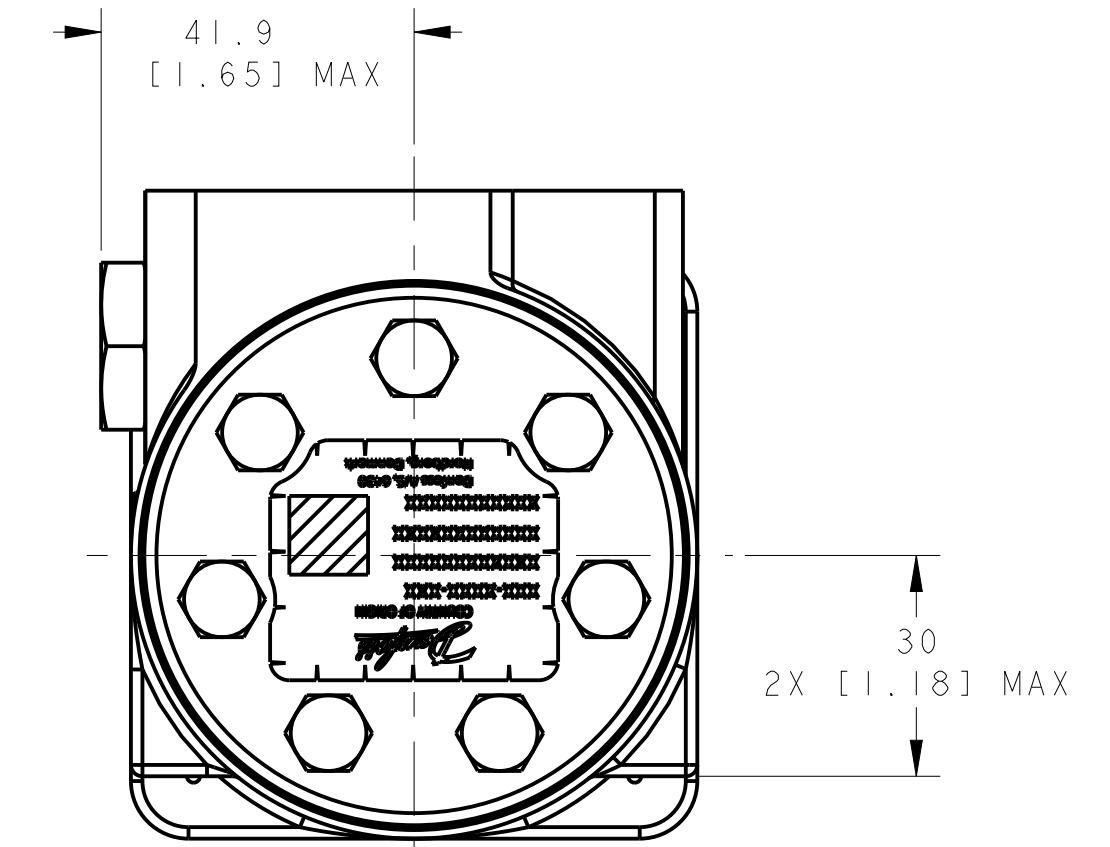
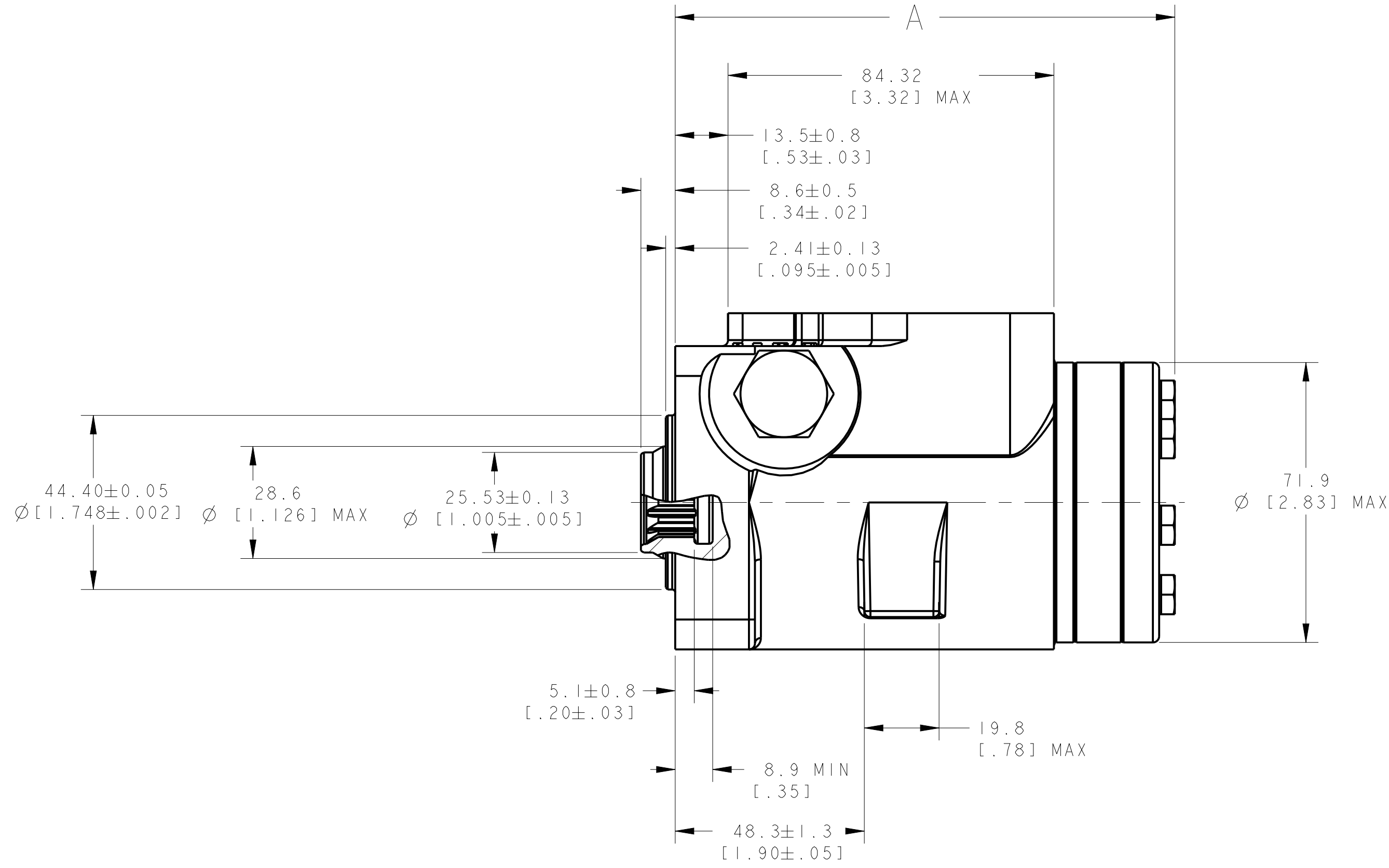
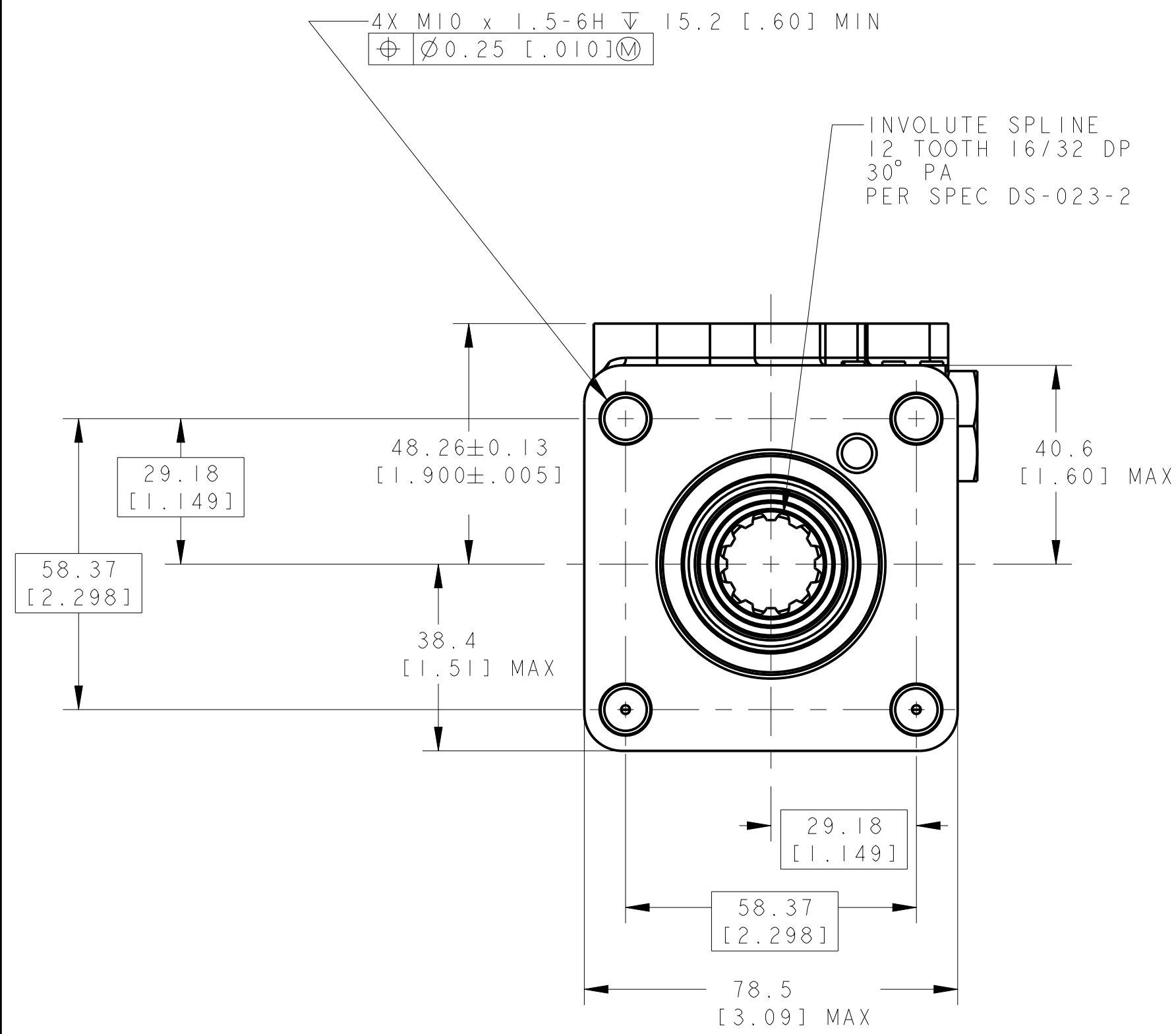
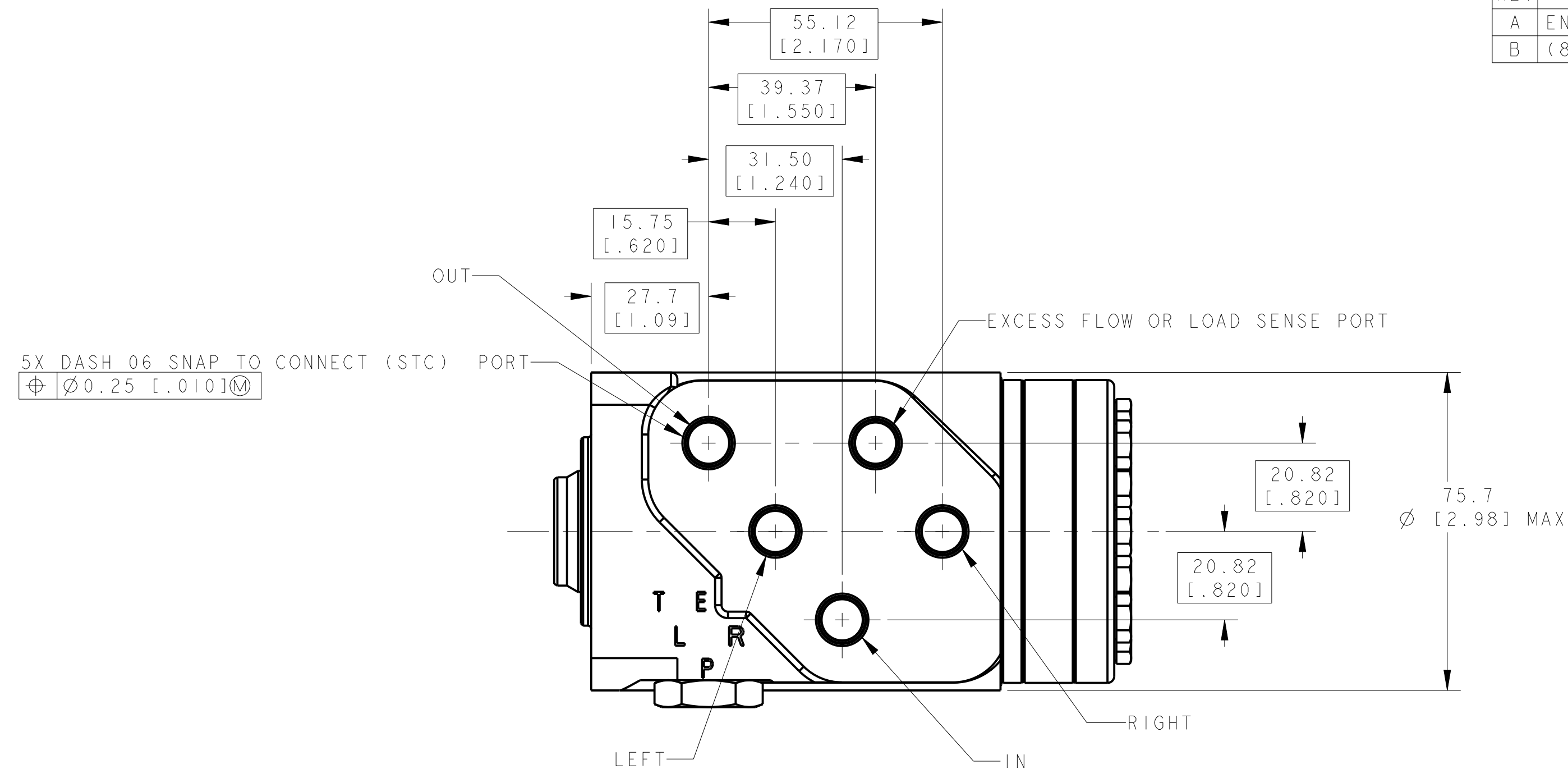


DISPLACEMENT		A MAX
CODE	cm ³ /r [in ³ /r]	
35	31.5 [1.92]	123.4 [4.86]
37	39.5 [2.41]	125.2 [4.93]
39	50.8 [3.10]	124.2 [4.89]
41	63.1 [3.85]	126.2 [4.97]
43	73.8 [4.50]	128 [5.04]
46	100 [6.10]	132.3 [5.21]
48	120 [7.33]	135.4 [5.33]
50	146 [8.90]	139.7 [5.50]

REV	DESCRIPTION	BY	CHK	DATE	ECN / MPS
A	ENGINEERING RELEASE	AH	AH	10/05/04	M62517
B	(8D) ADDED DISPLACEMENT CODE 50	LMD	LMD	8-18-05	M65158



M
DISTRIBUTION CODE(S)

UNLESS OTHERWISE SPECIFIED ALL DIMENSIONS ARE IN		DRAWING BASED ON ANSI Y14.5M-1982	
INCHES	<input type="checkbox"/>	THE REPRODUCTION, DISTRIBUTION, AND UTILIZATION OF THIS DOCUMENT, AS WELL AS THE COMMUNICATION OF ITS CONTENTS TO OTHERS WITHOUT EXPLICIT AUTHORIZATION IS PROHIBITED. OFFENDERS WILL BE HELD LIABLE FOR THE PAYMENT OF DAMAGES. ALL RIGHTS RESERVED IN THE EVENT OF THE GRANT OF A PATENT, UTILITY MODEL, OR DESIGN. (PER ISO 16016)	
MILLIMETERS	<input checked="" type="checkbox"/>		
TOLERANCES			
.XX ±	----	DRAWN AH	MATERIAL/HEAT TREAT
.XXX ±	----	BY/DATE 10/13/04	
< ±	----	CHECKED AH	TITLE
UNSPECIFIED RADII ARE:		BY/DATE 10/13/04	MINI SCU INSTALLATION
UNSPECIFIED DRAFT ANGLES ARE:		ENGRG TAH	NUMBER
		BY/DATE 10/13/04	A-274-038
		METALLURGY	SCALE 1/1
			SHEET 1 OF 1
D SIZE	DO NOT SCALE	THIRD ANGLE PROJECTION	
		ARITHMETICAL AVERAGE	