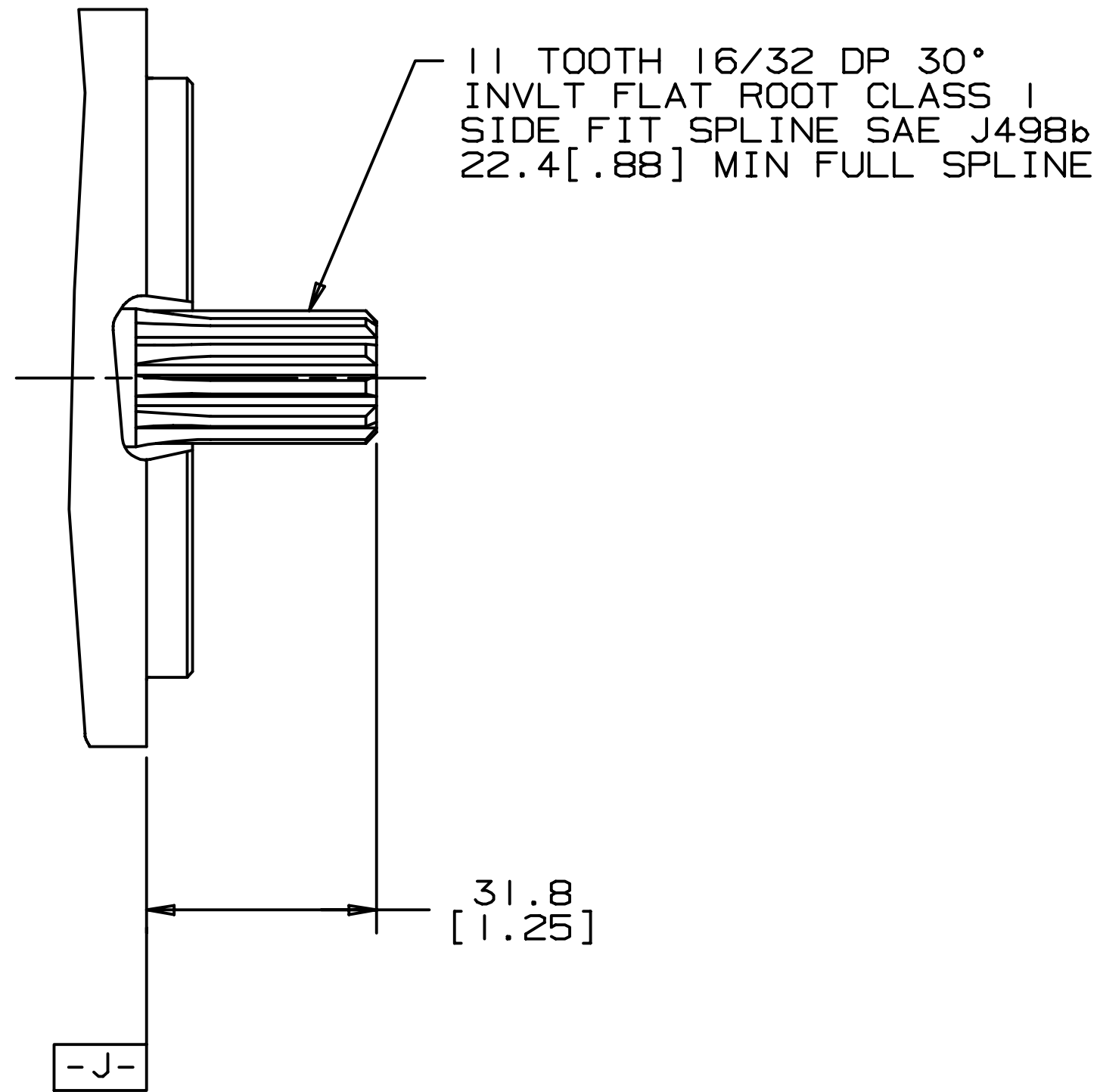


| REV | DESCRIPTION | BY | CHK | DATE | ECN |
|-----|-------------------------|-----|-----|---------|--------|
| A | ENGINEERING RELEASE | CAD | CMJ | 4/8/92 | 21480 |
| B | 22.4[.88] WAS 22.2[.88] | JLY | MLL | 4/14/97 | M17240 |
| | | | | | |



GH

| | | | |
|--|---|--|---|
| UNLESS OTHERWISE SPECIFIED ALL DIMENSIONS ARE IN INCHES <input type="checkbox"/> MILLIMETERS <input checked="" type="checkbox"/> TOLERANCES .X ±----- .XX ±REF .XXX ±ONLY < ±----- UNSPECIFIED RADII ARE ----- UNSPECIFIED DRAFT ANGLES ARE ----- DRAWING FORMAT CADD <input checked="" type="checkbox"/> MANUAL <input type="checkbox"/> | DRAWING BASED ON ANSI Y14.5M-1982 | | |
| | THE REPRODUCTION, DISTRIBUTION, AND UTILIZATION OF THIS DOCUMENT, AS WELL AS THE COMMUNICATION OF ITS CONTENTS TO OTHERS WITHOUT EXPLICIT AUTHORIZATION IS PROHIBITED. OFFENDERS WILL BE HELD LIABLE FOR THE PAYMENT OF DAMAGES. ALL RIGHTS RESERVED IN THE EVENT OF THE GRANT OF A PATENT, UTILITY MODEL, OR DESIGN. (PER ISO 16016) | | |
| DRAWN BY/DATE C DOTY 10/22/91 CHECKED BY/DATE CMJ 5/15/92 ENGRG BY/DATE JCW 6/29/92 METALLURGY BY/DATE ----- | MATERIAL/HEAT TREAT TITLE SHAFT INSTALLATION | | NUMBER A-349-002 SCALE 1/1 SHEET 1 OF 1 |
| THIRD ANGLE PROJECTION DO NOT SCALE | MICROINCHES <input type="checkbox"/> MICROMETERS <input type="checkbox"/> ARITHMETICAL AVERAGE <input checked="" type="checkbox"/> | | |