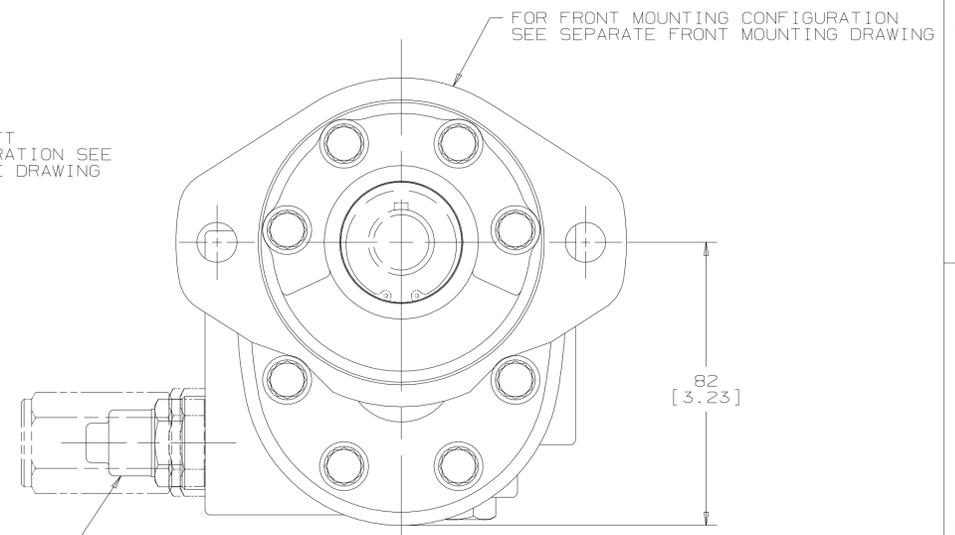
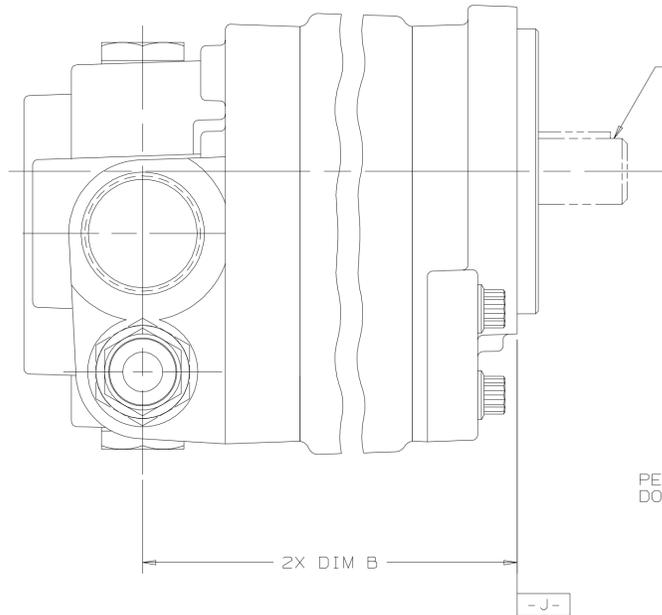
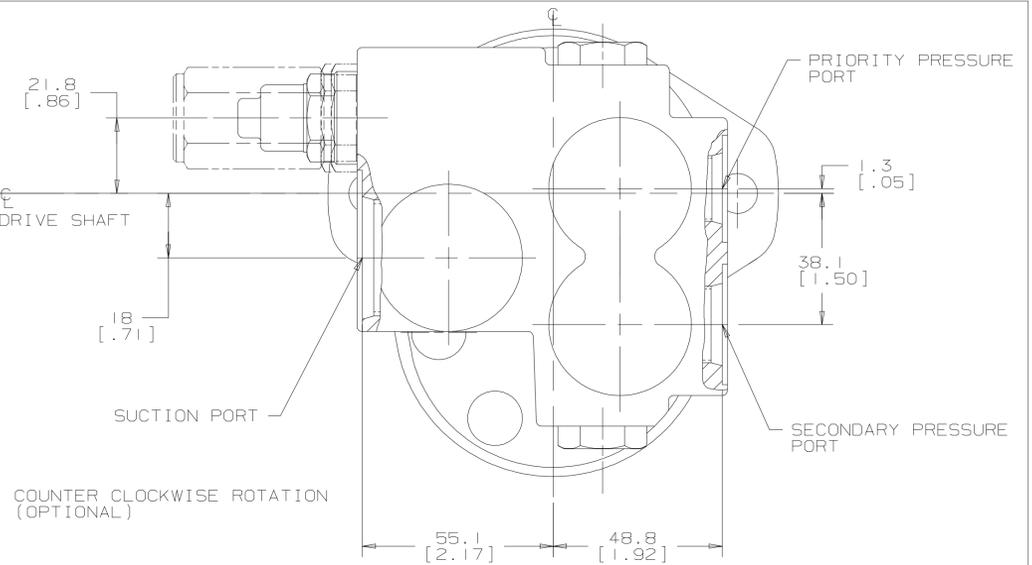
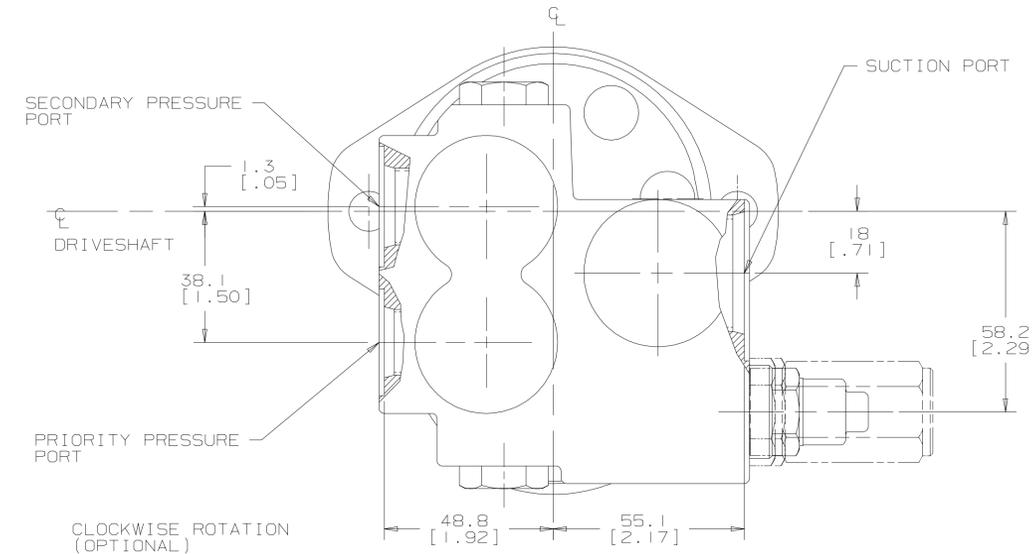
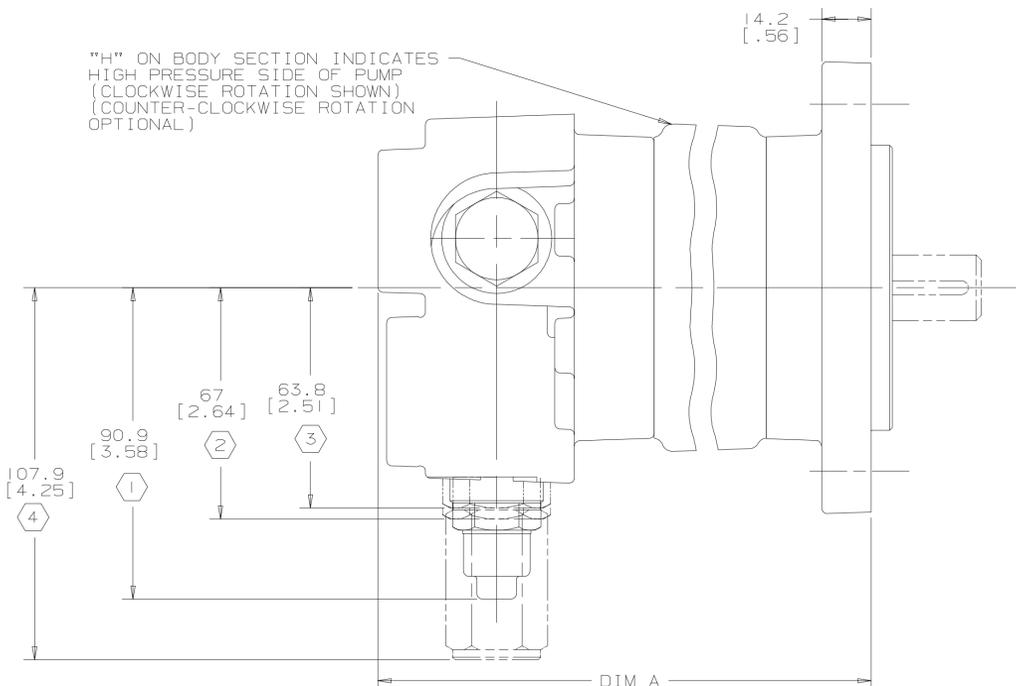


DISPLACEMENT	DIM A	DIM B
	FRONT MOUNT 2 BOLT SAE A AND B	FRONT MOUNT 2 BOLT SAE A AND B
5.1 cm <sup>3</sup> /r [.31 in <sup>3</sup> /r]	122.8 [4.84]	88.6 [3.49]
6.6 cm <sup>3</sup> /r [.40 in <sup>3</sup> /r]	124.5 [4.90]	90.2 [3.55]
8.2 cm <sup>3</sup> /r [.50 in <sup>3</sup> /r]	126.4 [4.98]	92.1 [3.63]
9.5 cm <sup>3</sup> /r [.58 in <sup>3</sup> /r]	127.9 [5.03]	93.6 [3.68]
10.8 cm <sup>3</sup> /r [.66 in <sup>3</sup> /r]	129.6 [5.10]	95.3 [3.75]
11.8 cm <sup>3</sup> /r [.72 in <sup>3</sup> /r]	130.5 [5.14]	96.2 [3.79]
13.8 cm <sup>3</sup> /r [.84 in <sup>3</sup> /r]	132.8 [5.23]	98.5 [3.88]
16.7 cm <sup>3</sup> /r [1.02 in <sup>3</sup> /r]	136 [5.35]	101.7 [4.00]
19.7 cm <sup>3</sup> /r [1.20 in <sup>3</sup> /r]	139.2 [5.48]	104.9 [4.13]
22.4 cm <sup>3</sup> /r [1.37 in <sup>3</sup> /r]	142.4 [5.61]	108.1 [4.26]
24.3 cm <sup>3</sup> /r [1.48 in <sup>3</sup> /r]	144.8 [5.70]	110.5 [4.35]
25.2 cm <sup>3</sup> /r [1.54 in <sup>3</sup> /r]	145.6 [5.73]	111.3 [4.38]
27.7 cm <sup>3</sup> /r [1.69 in <sup>3</sup> /r]	148.8 [5.86]	114.5 [4.51]
29 cm <sup>3</sup> /r [1.77 in <sup>3</sup> /r]	150.4 [5.92]	116.1 [4.57]
30.6 cm <sup>3</sup> /r [1.87 in <sup>3</sup> /r]	152 [5.98]	117.7 [4.63]
35.1 cm <sup>3</sup> /r [2.14 in <sup>3</sup> /r]	157.5 [6.20]	123.2 [4.85]

REV	DESCRIPTION	BY	CHK	DATE	ECN
A	ENGINEERING RELEASE	I JH	CMJ	04/08/92	Z1480
G	REVISED	RSG	RSG	02/14/13	0046794

"H" ON BODY SECTION INDICATES HIGH PRESSURE SIDE OF PUMP (CLOCKWISE ROTATION SHOWN) (COUNTER-CLOCKWISE ROTATION OPTIONAL)



- ① RELIEF VALVE (STANDARD)
- ② RELIEF VALVE (OPTIONAL EXTERNALLY NON-ADJUSTABLE)
- ③ NO RELIEF VALVE - HEX PLUG (OPTIONAL)
- ④ RELIEF VALVE (OPTIONAL EXTERNALLY ADJUSTABLE RV5 RELIEF VALVE)

UNLESS OTHERWISE SPECIFIED ALL DIMENSIONS ARE IN INCHES <input type="checkbox"/> MILLIMETERS <input checked="" type="checkbox"/>		DRAWING BASED ON ANSI Y14.5M-1982	
TOLERANCES .X +--- .XX +REF .XXX +ONLY < +---		THE REPRODUCTION, DISTRIBUTION, AND UTILIZATION OF THIS DOCUMENT, AS WELL AS THE COMMUNICATION OF ITS CONTENTS TO OTHERS WITHOUT EXPLICIT AUTHORIZATION IS PROHIBITED. OFFENDERS WILL BE HELD LIABLE FOR THE PAYMENT OF DAMAGES. ALL RIGHTS RESERVED IN THE EVENT OF THE GRANT OF A PATENT, UTILITY MODEL, OR DESIGN. (PER ISO 16016)	
DRWN BY/DATE IJH 11/11/91		MATERIAL/HEAT TREAT	
CHKD BY/DATE CMJ 5/20/92		TITLE	
ENGR BY/DATE JCW 6/29/92		GEAR PUMP INSTALLATION	
UNSPECIFIED RADI ARE		MICROINCHES <input type="checkbox"/> MICROMETERS <input type="checkbox"/>	
UNSPECIFIED DRAFT ANGLES ARE		NUMBER	
DRAWING FORMAT CADD <input checked="" type="checkbox"/> MANUAL <input type="checkbox"/>		THIRD ANGLE PROJECTION	
DO NOT SCALE		ARTHEMETICAL AVERAGE	
SCALE 1/1		SHEET 1 OF 1	

G H