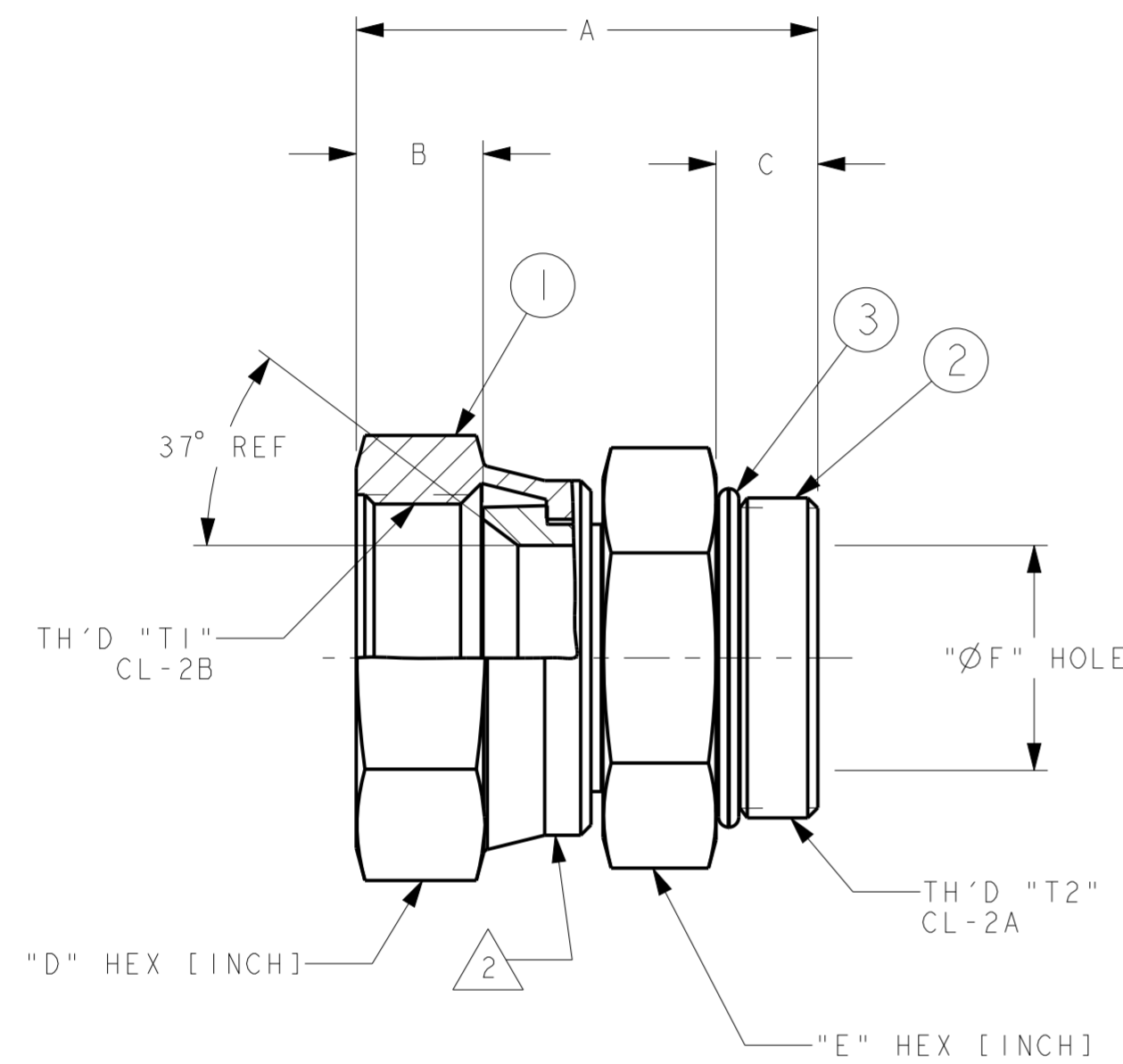


AEROQUIP PART NUMBER	WEATHERHEAD PART NUMBER	TH'D "T1"	TH'D "T2"	A REF	B REF	C REF	D REF	E REF	ØF REF
2266-12-16S	-	1 5/16-12	1 1/16-12	56.6 [2.23]	15.2 [.60]	15 [.59]	1 1/2	1 1/4	15.5 [.61]
2266-16-16S	C5216X16X16	1 5/16-12	1 5/16-12	53.6 [2.11]	15.2 [.60]	15 [.59]	1 1/2	1 1/2	21.3 [.84]
2266-20-20S	C5216X20X20	1 5/8-12	1 5/8-12	64.5 [2.54]	16.3 [.64]	15 [.59]	2	1 7/8	27.4 [1.08]
2266-24-24S	C5216X24X24	1 7/8-12	1 7/8-12	68.3 [2.69]	18.8 [.74]	15 [.59]	2 1/4	2 1/8	33.4 [1.31]

REVISIONS			
REV	DESCRIPTION	DATE	APPROVED
K	REDRAWN & REDESIGNED. UPDATED TO DANFOSS FORMAT AND DIMENSION STYLE. 1) ADDED -20-20 & -24-24 SIZES. 2) ADDED WEATHERHEAD PART NUMBERS COLUMN.	2015-07-07 SMP/DHS	0109884-ECO
L	1) ADDED PART #2266-12-16S.	2017-11-30 VSP	CO-0156333



AEROQUIP PART NUMBER	WEATHERHEAD PART NUMBER	1	2	3
2266-24-24S	C5216X24X24	210204-24S	FF1019-2424S	22617-24
2266-20-20S	C5216X20X20	210204-20S	FF1019-2020S	22617-20
2266-16-16S	C5216X16X16	210204-16S	FF1019-1616S	22617-16
2266-12-16S	-	210204-16S	FF1019-1216S	22617-12
		1 NUT	2 ADAPTER BODY	3 O' RING

LIST OF MATERIALS

ITEM NO.	MATERIAL
1	STEEL
2	STEEL
3	NITRILE (BUNA-N)

DRAWN S. PRADHAN	 FLUID CONVEYANCE DIVISION DRAWING TITLE ADAPTER SAE 37° SWIVEL TO SAE MALE O'RING BOSS		
CHECKED D. SHEWALE			
APPROVED J. SNYDER			
RELEASE DATE 2015-07-07			
0109884-ECO			
THIRD ANGLE PROJECTION	SIZE A2	DRAWING NUMBER 2266-S	REV L
SCALE NONE	DIST U	CAGE CODE 01276	SHEET 2

2. CRIMP NUT PER ACES 2813.
 1. DIMENSIONS ARE IN MILLIMETERS [INCHES].

METRIC

THE REPRODUCTION, DISTRIBUTION AND UTILIZATION OF THIS DOCUMENT AS WELL AS THE COMMUNICATION OF ITS CONTENTS TO OTHERS WITHOUT EXPLICIT AUTHORIZATION IS PROHIBITED. OFFENDERS WILL BE HELD LIABLE FOR THE PAYMENT OF DAMAGES. ALL RIGHTS RESERVED IN THE EVENT OF THE GRANT OF A PATENT, UTILITY MODEL OR DESIGN. (PER ISO 16016)