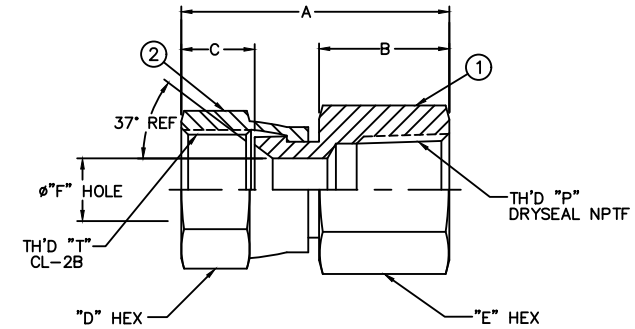


PART NUMBER	WEATHERHEAD PART NUMBER	TH'D "P"	TH'D "T"	A REF	B REF	C REF	D	E	F REF	
2242-2-4S	C5256X4	1/8-27	7/16-20	31 [1.22]	14 [.55]	9.4 [.37]	9/16	9/16	4.3 [.17]	④
2242-2-5S	C5256X5	1/8-27	1/2-20	32.3 [1.27]	14 [.55]	10.2 [.40]	5/8	9/16	5.8 [.23]	④
2242-4-4S	C5256X4X4	1/4-18	7/16-20	37.6 [1.48]	20.6 [.81]	9.4 [.37]	9/16	3/4	4.3 [.17]	④
2242-4-5S	C5256X5X4	1/4-18	1/2-20	38.1 [1.50]	19.8 [.78]	10.2 [.40]	5/8	3/4	4.3 [.17]	④
2242-4-6S	C5256X6	1/4-18	9/16-18	40.1 [1.58]	20.8 [.82]	10.2 [.40]	11/16	3/4	7.6 [.30]	④
2242-6-6S	C5256X6X6	3/8-18	9/16-18	39.6 [1.56]	20.3 [.80]	10.2 [.40]	11/16	7/8	7.6 [.30]	④
2242-6-8S	C5256X8	3/8-18	3/4-16	41.7 [1.64]	19.8 [.78]	11.2 [.44]	7/8	7/8	9.9 [.39]	④
2242-8-6S	C5256X6X8	1/2-14	9/16-18	46.2 [1.82]	26.9 [1.06]	10.2 [.40]	11/16	1 1/16	7.6 [.30]	④
2242-8-8S	C5256X8X8	1/2-14	3/4-16	48.8 [1.92]	26.9 [1.06]	11.2 [.44]	7/8	1 1/16	9.9 [.39]	④
2242-8-10S	C5256X10	1/2-14	7/8-14	50.6 [1.99]	25.9 [1.02]	14.5 [.57]	1	1 1/16	15.5 [.61]	④ ⑤
2242-8-12S	-	1/2-14	1 1/16-12	51.3 [2.02]	25.9 [1.02]	14.5 [.57]	1 1/4	1 1/16	15.5 [.61]	④
2242-12-12S	C5256X12	3/4-14	1 1/16-12	52.3 [2.06]	26.9 [1.06]	14.5 [.57]	1 1/4	1 5/16	15.5 [.61]	④
2242-12-14S	C5256X14	3/4-14	1 3/16-12	54.1 [2.13]	26.9 [1.06]	14.7 [.58]	1 3/8	1 5/16	18.3 [.72]	④
2242-16-16S	C5256X16	1-11 1/2	1 5/16-12	62.2 [2.45]	33.3 [1.31]	15.2 [.60]	1 1/2	1 5/8	21.3 [.84]	④
2242-20-20S	C5256X20	1 1/4-11 1/2	1 5/8-12	67.6 [2.66]	35.1 [1.38]	16.3 [.64]	2	2	27.4 [1.08]	④



REVISIONS			
REV	DESCRIPTION	DATE	APPROVED
M	REDRAWN, UPDATED TO DANFOSS FORMAT & DIMENSION STYLE. 1) ADDED WEATHERHEAD PART NUMBERS	2011-12-08 MBK/VJS	0064752-E00
N	1) ADDED WEATHERHEAD PART NUMBERS.	2012-02-29 VPC/VJS	0067352-E00
P	1) UPDATED DIM "A" FOR 2242-8-10S	2021-05-18 ASB	00-0217839

④

2242-20-20S	2242-1-20-20S	210204-20S			
2242-16-16S	2242-1-16-16S	210204-16S			
2242-12-14S	2242-1-12-14S	210204-14S			
2242-12-12S	2242-1-12-12S	210204-12S			
2242-8-12S	2242-1-8-12S	210204-12S			
2242-8-10S	2242-1-8-10S	210204-10S			
2242-8-8S	2242-1-8-8S	210204-8S			
2242-8-6S	2242-1-8-6S	210204-6S			
2242-6-8S	2242-1-6-8S	210204-8S			
2242-6-6S	2242-1-6-6S	210204-6S			
2242-4-6S	2242-1-4-6S	210204-6S			
2242-4-5S	2242-1-4-5S	210204-5S			
2242-4-4S	2242-1-4-4S	210204-4S			
2242-2-5S	2242-1-2-5S	210204-5S			
2242-2-4S	2242-1-2-4S	210204-4S			
PART NUMBER	① ADAPTER	② NUT			

LIST OF MATERIALS	
ITEM NO.	MATERIAL
1	STEEL
2	STEEL

DRAWN: M. KHEDEKAR
 CHECKED: V. SURYAWANSHI
 APPROVED: Y. KULKARNI
 RELEASE DATE: 2011-12-13
 0064752-E00

Danfoss FLUID CONVEYANCE DIVISION
 DRAWING TITLE: ADAPTER
 SAE 37° SWIVEL TO FEMALE PIPE

SIZE: A1 DRAWING NUMBER: 2242-S
 SCALE: DIST U SHEET: 1
 SHEET: 1

THE REPRODUCTION, DISTRIBUTION AND UTILIZATION OF THIS DOCUMENT AS WELL AS THE COMMUNICATION OF ITS CONTENTS TO OTHERS WITHOUT EXPLICIT AUTHORIZATION IS PROHIBITED. OFFENDERS WILL BE HELD LIABLE FOR THE PAYMENT OF DAMAGES. ALL RIGHTS RESERVED IN THE EVENT OF THE GRANT OF A PATENT, UTILITY MODEL, OR DESIGN. (PER ISO 10000)

2. PROCESS AS FOLLOWS:
(a) CRIMP NUT PER ACES 2813.

1. DIMENSIONS ARE IN MILLIMETERS [INCH].

METRIC