

PART NUMBER	WEATHERHEAD CATALOG NUMBER	TH'D "P1"	TH'D "P2"	A REF	B REF (INCH)
2096-2S	C3309X2	1/8-27	1/8-27	19 [.75]	5/8
2096-4S	C3309X4	1/4-18	1/4-18	28.7 [1.13]	3/4
2096-4-2S	C3309X4X2	1/4-18	1/8-27	28.7 [1.13]	3/4
2096-6S	C3309X6	3/8-18	3/8-18	28.7 [1.13]	7/8
2096-6-4S	C3309X6X4	3/8-18	1/4-18	28.7 [1.13]	7/8
2096-8S	C3309X8	1/2-14	1/2-14	38.1 [1.50]	1 1/8
2096-8-4S	C3309X8X4	1/2-14	1/4-18	38.1 [1.50]	1 1/8
2096-8-6S	C3309X8X6	1/2-14	3/8-18	38.1 [1.50]	1 1/8
2096-12S	C3309X12	3/4-14	3/4-14	38.9 [1.53]	1 3/8
2096-12-8S	C3309X12X8	3/4-14	1/2-14	38.6 [1.52]	1 3/8
2096-16S	C3309X16	1-11 1/2	1-11 1/2	48 [1.89]	1 5/8
2096-16-12S	C3309X16X12	1-11 1/2	3/4-14	43.4 [1.71]	1 5/8
2096-20S	C3309X20	1 1/4-11 1/2	1 1/4-11 1/2	49 [1.93]	2
2096-24S	C3309X24	1 1/2-11 1/2	1 1/2-11 1/2	49 [1.93]	2 3/8
2096-32S	C3309X32	2-11 1/2	2-11 1/2	49.8 [1.96]	2 7/8

Q L N

Y L N

Q L N

Q L N

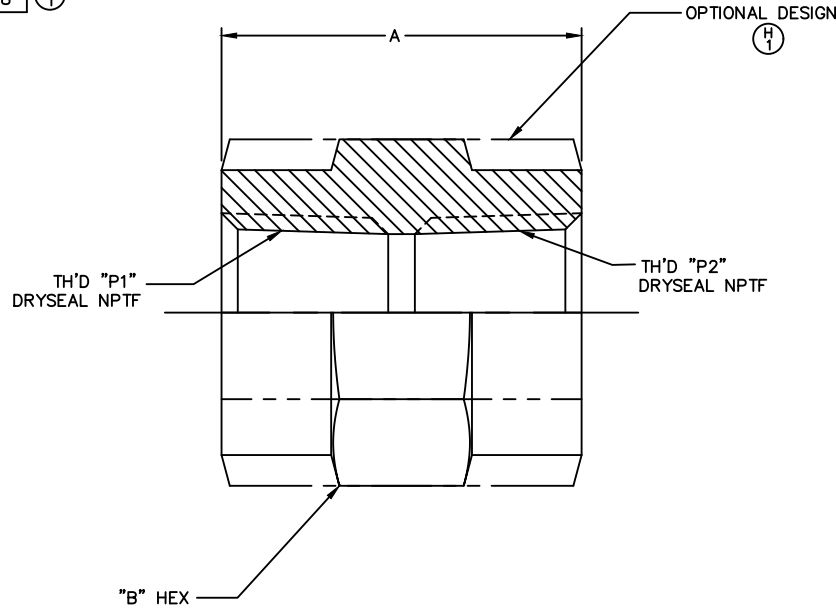
Y L N

K L N

Y

REVISIONS			
REV	DESCRIPTION	DATE	APPROVED
F	(1) REDRAWN, ADDED WEATHERHEAD CATALOG NUMBER	2003-XX-XX ATH/B.H.	EN-F25095 DP-1513
G	ADDED METRIC DIMENSIONS. 1) ADDED PART # 2096-4-2S, 2096-8-4S & 2096-8-6S.	2010-11-15 SJM/YPK	0046930-ECO DP-1299
H	1) REMOVED NOTE "SIZES -2 THRU -8-6 ONLY".	2011-01-25 NJK/DHS	0052151-ECO DP-1513
J	1) ADDED PART # 2096-6-4S, 2096-12-8S & 2096-32S	2012-04-04 MBK/PSW	0068306-ECO
K	1) ADDED PART 2096-16-12S.	2012-04-20 ADM/PSW	0068526-ECO
L	1) REMOVED PARTS # 2096-4-2S, 2096-6-4S, 2096-8-4S, 2096-8-6S, 2096-12-8S & 2096-16-12S 2) ADDED SHEET 2	2013-10-30 MBK/DHS	0090663-ECO
M	CREATED ALTERNATIVE LANGUAGE DRAWING. 1) ADDED ALTERNATIVE LANGUAGE TEXT BLOCK.	2019-11-12 KSD	CO-0193698
N	1) ADDED PARTS #2096-4-2S, #2096-6-4S, #2096-8-4S, #2096-8-6S, #2096-12-8S & #2096-16-12S.	2019-12-25 RZH	CO-0197926

ALTERNATIVE LANGUAGE DRAWING
ALL SHEETS MUST BE IDENTICAL
AND WITH SAME REVISION LEVEL



2. DIMENSIONS ARE IN MILLIMETERS [INCHES].
1. MATERIAL: STEEL, ZINC PLATED.

DRAWN A. HISS	FLUID CONVEYANCE DIVISION		
CHECKED B. HYDE	DRAWING TITLE		
APPROVED B. HYDE	ADAPTER		
RELEASE DATE 2003-10-17	HEXAGON PIPE COUPLING		
EN-F25095	(SAE #140138)		
DP-1513	SIZE A2	DRAWING NUMBER 2096-S	REV N
THIRD ANGLE PROJECTION	SCALE NONE	DIST U	CAGE CODE 01276
		SHEET 1	OF 2

THE REPRODUCTION, DISTRIBUTION AND UTILIZATION OF THIS DOCUMENT AS WELL AS THE COMMUNICATION OF ITS CONTENTS TO OTHERS WITHOUT EXPLICIT AUTHORIZATION IS PROHIBITED. OFFENDERS WILL BE HELD LIABLE FOR THE PAYMENT OF DAMAGES. ALL RIGHT RESERVED IN THE EVENT OF THE GRANT OF A PATENT, UTILITY MODEL OR DESIGN. (PER ISO 16016)