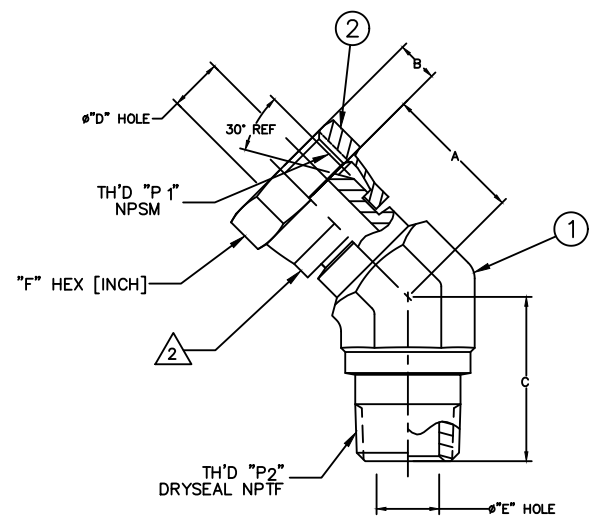


WEATHERHEAD PART NUMBER	AEROQUIP PART NUMBER	TH'D "P ₁ "	TH'D "P ₂ "	A REF	B REF	C REF	D REF	E REF	F REF
9355X2X2	2049-2-2S	1/8-27	1/8-27	17 [.67]	4.8 [.19]	17.8 [.70]	3.8 [.15]	4.8 [.19]	9/16
9355X4X2	2049-4-2S	1/4-18	1/8-27	20.1 [.79]	6.4 [.25]	17 [.67]	5.6 [.22]	4.8 [.19]	11/16
9355X4X4	2049-4-4S	1/4-18	1/4-18	20.1 [.79]	6.4 [.25]	24.6 [.97]	5.6 [.22]	7.1 [.28]	11/16
9355X4X6	2049-4-6S	1/4-18	3/8-18	20.3 [.80]	6.4 [.25]	26.9 [1.06]	5.6 [.22]	10.4 [.41]	11/16
9355X4X8	2049-4-8S	1/4-18	1/2-14	21.1 [.83]	6.4 [.25]	35.8 [1.41]	5.6 [.22]	13.5 [.53]	11/16
9355X6X4	2049-6-4S	3/8-18	1/4-18	23.4 [.92]	6.4 [.25]	25.4 [1.00]	8.6 [.34]	7.1 [.28]	7/8
9355X6X6	2049-6-6S	3/8-18	3/8-18	23.4 [.92]	6.4 [.25]	27.7 [1.09]	8.6 [.34]	10.4 [.41]	7/8
9355X6X8	2049-6-8S	3/8-18	1/2-14	23.4 [.92]	6.4 [.25]	35.8 [1.41]	8.6 [.34]	13.5 [.53]	7/8
9355X8X6	2049-8-6S	1/2-14	3/8-18	23.1 [.91]	8.4 [.33]	27.7 [1.09]	11.7 [.46]	10.4 [.41]	1
9355X8X8	2049-8-8S	1/2-14	1/2-14	23.1 [.91]	8.4 [.33]	35.8 [1.41]	11.7 [.46]	13.5 [.53]	1
9355X8X12	2049-8-12S	1/2-14	3/4-14	23.1 [.91]	8.4 [.33]	38.9 [1.53]	11.7 [.46]	18.3 [.72]	1
9355X12X12	2049-12-12S	3/4-14	3/4-14	27.9 [1.10]	7.6 [.30]	38.9 [1.53]	16.3 [.64]	18.3 [.72]	1 1/4
9355X12X8	2049-12-8S	3/4-14	1/2-14	27.9 [1.10]	7.6 [.30]	38.9 [1.53]	16.3 [.64]	13.5 [.53]	1 1/4
9355X12X16	2049-12-16S	3/4-14	1 1/2	26.2 [1.03]	7.6 [.30]	38.1 [1.50]	16.3 [.64]	23.9 [.94]	1 1/4
9355X16X12	2049-16-12S	1-11 1/2	3/4-14	32 [1.26]	9.7 [.38]	38.9 [1.53]	21.1 [.83]	18.3 [.72]	1 1/2
9355X16X16	2049-16-16S	1-11 1/2	1-11 1/2	32 [1.26]	9.7 [.38]	38.9 [1.53]	21.1 [.83]	23.9 [.94]	1 1/2
9355X16X20	2049-16-20S	1-11 1/2	1 1/4-11 1/2	33 [1.30]	9.7 [.38]	46.7 [1.84]	21.1 [.83]	31.8 [1.25]	1 1/2
9355X20X20	2049-20-20S	1 1/4-11 1/2	1 1/4-11 1/2	36.8 [1.45]	10.4 [.41]	46.7 [1.84]	27.4 [1.08]	31.8 [1.25]	1 7/8
9355X24X24	2049-24-24S	1 1/2-11 1/2	1 1/2-11 1/2	35.8 [1.41]	10.7 [.42]	50.8 [2.00]	33.3 [1.31]	38.1 [1.50]	2 1/8

REVISIONS			
REV	DESCRIPTION	DATE	APPROVED
AE	REDRAWN, UPDATED TO DANFOSS FORMAT & DIMENSION STYLE. 1) ADDED PART NUMBERS 2049-4-2S, 2049-4-6S, 2049-4-8S, 2049-6-4S, 2049-6-6S, 2049-6-8S, 2049-8-6S, 2049-8-8S, 2049-8-12S, 2049-12-8S, 2049-12-16S, 2049-12-12S & 2049-16-20S. 2) ADDED EQUIVALENT WEATHERHEAD PART NUMBERS.	2015-02-26 VSP	0102009-ECO
AF	CREATED ALTERNATE LANGUAGE DRAWING 1) ADDED ALTERNATIVE LANGUAGE TEXT BLOCK	2019-12-13 AAB	CO-0194000

ALTERNATIVE LANGUAGE DRAWING
ALL SHEETS MUST BE IDENTICAL
AND WITH SAME REVISION LEVEL

METRIC



9355X24X24	2049-24-24S	FF2022-2424S	2045-3-24S		
9355X20X20	2049-20-20S	FF2022-2020S	2045-3-20S		
9355X16X20	2049-16-20S	FF2022-1620S	2045-3-16S		
9355X16X16	2049-16-16S	FF2022-1616S	2045-3-16S		
9355X16X12	2049-16-12S	FF2022-1612S	2045-3-16S		
9355X12X16	2049-12-16S	FF2022-1216S	2045-3-12S		
9355X12X8	2049-12-8S	FF2022-1208S	2045-3-12S		
9355X12X12	2049-12-12S	FF2022-1212S	2045-3-12S		
9355X8X12	2049-8-12S	FF2022-0812S	2045-3-8S		
9355X8X8	2049-8-8S	FF2022-0808S	2045-3-8S		
9355X8X6	2049-8-6S	FF2022-0806S	2045-3-8S		
9355X6X8	2049-6-8S	FF2022-0608S	2045-3-6S		
9355X6X6	2049-6-6S	FF2022-0606S	2045-3-6S		
9355X6X4	2049-6-4S	FF2022-0604S	2045-3-6S		
9355X4X8	2049-4-8S	FF2022-0408S	2045-3-4S		
9355X4X6	2049-4-6S	FF2022-0406S	2045-3-4S		
9355X4X4	2049-4-4S	FF2022-0404S	2045-3-4S		
9355X4X2	2049-4-2S	FF2022-0402S	2045-3-4S		
9355X2X2	2049-2-2S	FF2022-0202S	2045-3-2S		
WEATHERHEAD PART NUMBER	AEROQUIP PART NUMBER	① ADAPTER BODY	② NUT		

LIST OF MATERIALS

ITEM NO.	MATERIAL	DRW	CHKD	APPRD	DATE	SCALE	DRAWING NUMBER	REV
1	STEEL							
2	STEEL							

FLUID CONVEYANCE DIVISION
ADAPTER
45', FEMALE ADAPTER UNION (MALE)
(SAE # 140330)

SIZE: A2 DRAWING NUMBER: 2049-S SHEET: AF
SCALE: NONE DIST: U PAGE CODE: 01276

△ CRIMP NUT PER ES 2409P4.
1. DIMENSIONS ARE IN MILLIMETERS [INCHES].