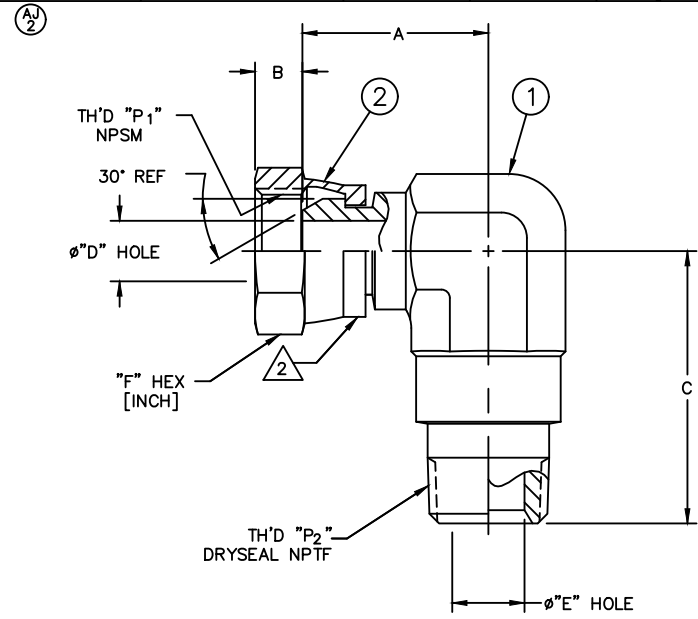


WEATHERHEAD PART NUMBER	AEROQUIP PART NUMBER	TH'D "P ₁ "	TH'D "P ₂ "	A REF	B REF	C REF	D REF	E REF	F REF
9405X2X2	2047-2-2S	1/8-27	1/8-27	18 [.71]	4.8 [.19]	26.2 [1.03]	3.8 [.15]	4.8 [.19]	9/16
9405X2X4	2047-2-4S	1/8-27	1/4-18	19.6 [.77]	4.8 [.19]	27.7 [1.09]	3.8 [.15]	7.1 [.28]	9/16
9405X4X2	2047-4-2S	1/4-18	1/8-27	22.4 [.88]	6.4 [.25]	22.9 [.90]	5.6 [.22]	4.8 [.19]	11/16
9405X4X4	2047-4-4S	1/4-18	1/4-18	23.1 [.91]	6.4 [.25]	32.5 [1.28]	5.5 [.22]	7.1 [.28]	11/16
9405X4X6	2047-4-6S	1/4-18	3/8-18	27.7 [1.09]	6.4 [.25]	38.9 [1.53]	5.5 [.22]	10.3 [.41]	11/16
9405X4X8	2047-4-8S	1/4-18	1/2-14	26.3 [1.03]	6.4 [.25]	46.7 [1.84]	5.5 [.22]	13.5 [.53]	11/16
9405X6X4	2047-6-4S	3/8-18	1/4-18	25.1 [.99]	6.4 [.25]	31 [1.22]	8.6 [.34]	7.1 [.28]	7/8
9405X6X6	2047-6-6S	3/8-18	3/8-18	27.7 [1.09]	6.4 [.25]	38.9 [1.53]	8.6 [.34]	10.3 [.41]	7/8
9405X6X8	2047-6-8S	3/8-18	1/2-14	26.3 [1.03]	6.4 [.25]	46.7 [1.84]	8.6 [.34]	13.5 [.53]	7/8
9405X6X12	2047-6-12S	3/8-18	3/4-14	32 [1.26]	6.4 [.25]	40.4 [1.59]	8.6 [.34]	18.3 [.72]	7/8
9405X8X6	2047-8-6S	1/2-14	3/8-18	27.4 [1.08]	8.4 [.33]	41.9 [1.65]	11.7 [.46]	10.3 [.41]	1
9405X8X8	2047-8-8S	1/2-14	1/2-14	27.4 [1.08]	8.4 [.33]	46.7 [1.84]	11.7 [.46]	13.5 [.53]	1
9405X8X12	2047-8-12S	1/2-14	3/4-14	31.5 [1.24]	8.4 [.33]	51.6 [2.03]	11.7 [.46]	18.3 [.72]	1
9405X12X8	2047-12-8S	3/4-14	1/2-14	34.5 [1.36]	7.6 [.30]	51.6 [2.03]	16.3 [.64]	13.5 [.53]	1-1/4
9405X12X12	2047-12-12S	3/4-14	3/4-14	34.5 [1.36]	7.6 [.30]	51.6 [2.03]	16.3 [.64]	18.3 [.72]	1-1/4
9405X12X16	2047-12-16S	3/4-14	1-11 1/2	38.5 [1.51]	7.6 [.30]	61.2 [2.41]	16.3 [.64]	23.9 [.94]	1-1/4
9405X16X12	2047-16-12S	1-11 1/2	3/4-14	38.9 [1.53]	9.6 [.38]	56.4 [2.22]	21.1 [.83]	18.3 [.72]	1-1/2
9405X16X16	2047-16-16S	1-11 1/2	1-11 1/2	38.9 [1.53]	9.6 [.38]	61.2 [2.41]	21.1 [.83]	23.9 [.94]	1-1/2
9405X20X20	2047-20-20S	1 1/4-11 1/2	1 1/4-11 1/2	46.2 [1.82]	10.4 [.41]	67.3 [2.65]	27.6 [1.09]	31.8 [1.25]	1-7/8
9405X24X24	2047-24-24S	1 1/2-11 1/2	1 1/2-11 1/2	51.3 [2.02]	10.7 [.42]	72.1 [2.84]	33.4 [1.31]	38.1 [1.50]	2-1/8
9405X32X32	2047-32-32S	2-11 1/2	2-11 1/2	60.2 [2.37]	12.4 [.49]	84.8 [3.34]	45.7 [1.80]	49.3 [1.94]	2-5/8

AM 1
AM 1
AK 1
AK 2
AK 3
AM 1
AL
AL

REVISIONS			
REV	DESCRIPTION	DATE	APPROVED
AJ	REDRAWN & REDESIGNED. UPDATED TO DANFOSS FORMAT & DIMENSION STYLE. 1) ADDED PART #2047-6-4S. 2) ADDED WEATHERHEAD PART NUMBERS.	2014-02-20 JJS/DHS	0093838-ECO
AK	1) ADDED PART #2047-4-8S. 2) "A REF" DIMENSION WAS 26.3 [1.03]. 3) "C REF" DIMENSION WAS 38.1 [1.50]	2014-04-29 JJS/DHS	0096436-ECO
AL	1) ADDED PART #2047-20-20S.	2014-11-28 PDS/VSP	0100276-ECO
AM	1) ADDED PART #2047-2-4S, #2047-4-2S & #2047-6-12S.	2017-10-26 VSP	CO-0154200



WEATHERHEAD PART NUMBER	AEROQUIP PART NUMBER	FF PART NUMBER	SAE PART NUMBER		
9405X32X32	2047-32-32S	FF1545-3232S	2045-3-32S		
9405X24X24	2047-24-24S	FF1545-2424S	2045-3-24S		
9405X20X20	2047-20-20S	FF1545-2020S	2045-3-20S		
9405X16X16	2047-16-16S	FF1545-1616S	2045-3-16S		
9405X16X12	2047-16-12S	FF1545-1612S	2045-3-16S		
9405X12X16	2047-12-16S	FF1545-1216S	2045-3-12S		
9405X12X12	2047-12-12S	FF1545-1212S	2045-3-12S		
9405X12X8	2047-12-8S	FF1545-1208S	2045-3-12S		
9405X8X12	2047-8-12S	FF1545-0812S	2045-3-8S		
9405X8X8	2047-8-8S	FF1545-0808S	2045-3-8S		
9405X8X6	2047-8-6S	FF1545-0806S	2045-3-8S		
9405X6X12	2047-6-12S	FF1545-0612S	2045-3-6S		
9405X6X8	2047-6-8S	FF1545-0608S	2045-3-6S		
9405X6X6	2047-6-6S	FF1545-0606S	2045-3-6S		
9405X6X4	2047-6-4S	FF1545-0604S	2045-3-6S		
9405X4X8	2047-4-8S	FF1545-0408S	2045-3-4S		
9405X4X6	2047-4-6S	FF1545-0406S	2045-3-4S		
9405X4X4	2047-4-4S	FF1545-0404S	2045-3-4S		
9405X4X2	2047-4-2S	FF1545-0402S	2045-3-4S		
9405X2X4	2047-2-4S	FF1545-0204S	2045-3-2S		
9405X2X2	2047-2-2S	FF1545-0202S	2045-3-2S		
WEATHERHEAD PART NUMBER	AEROQUIP PART NUMBER	① ADAPTER BODY	② NUT		

AL
AL
AM
AJ
AK
AK
AM
AM
AM
AM

LIST OF MATERIALS

ITEM NO.	MATERIAL
1	STEEL
2	STEEL

DRAWN J. SONAVANE
 CHECKED D. SHEWALE
 APPROVED J. SNYDER
 RELEASE DATE 2014-02-20
 0093838-ECO

Danfoss FLUID CONVEYANCE DIVISION
 DRAWING TITLE
ADAPTER
 90°, FEMALE ADAPTER UNION (MALE)
 (SAE #140230)

SIZE A2 DRAWING NUMBER 2047-S REV AM
 THIRD ANGLE PROJECTION
 SCALE NONE DIST U CAGE CODE 01276 SHEET 1

THE REPRODUCTION, DISTRIBUTION AND UTILIZATION OF THIS DOCUMENT AS WELL AS THE COMMUNICATION OF ITS CONTENTS TO OTHERS WITHOUT EXPLICIT AUTHORIZATION IS PROHIBITED. OFFENDERS WILL BE HELD LIABLE FOR THE PAYMENT OF DAMAGES. ALL RIGHT RESERVED IN THE EVENT OF THE GRANT OF A PATENT, UTILITY MODEL OR DESIGN. (PER ISO 16016)

CRIMP NUT PER ES 2409P4.
 1. DIMENSIONS ARE IN MILLIMETERS [INCHES].

METRIC