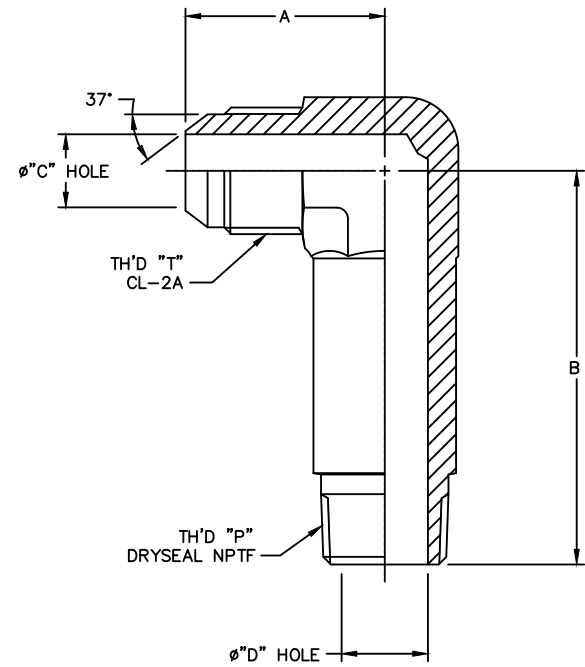


AEROQUIP PART NUMBER	WEATHERHEAD PART NUMBER	TH'D "P"	TH'D "T"	A REF	B REF	C REF	D REF
202413-2-4S	C5435X4	1/8-27	7/16-20	22.6[.89]	39.6[1.56]	4.3[.17]	4.8[.19]
202413-2-5S	C5435X5	1/8-27	1/2-20	24.1[.95]	41.4[1.63]	5.8[.23]	4.8[.19]
202413-4-4S	C5435X4X4	1/4-18	7/16-20	26.7[1.05]	52.6[2.07]	4.3[.17]	7.1[.28]
202413-4-5S	C5435X5X4	1/4-18	1/2-20	26.7[1.05]	52.6[2.07]	5.8[.23]	7.1[.28]
202413-4-6S	C5435X6	1/4-18	9/16-18	26.9[1.06]	52.6[2.07]	7.6[.30]	7.1[.28]
202413-6-6S	C5435X6X6	3/8-18	9/16-18	29[1.14]	61.5[2.42]	7.6[.30]	10.4[.41]
202413-6-8S	C5435X8	3/8-18	3/4-16	31.8[1.25]	61.5[2.42]	9.9[.39]	10.4[.41]
202413-8-8S	C5435X8X8	1/2-14	3/4-16	33.8[1.33]	72.9[2.87]	9.9[.39]	13.5[.53]
202413-8-10S	C5435X10	1/2-14	7/8-14	36.8[1.45]	72.9[2.87]	12.2[.48]	13.5[.53]
202413-8-12S	C5435X12X8	1/2-14	1 1/16-12	42.2[1.66]	83.3[3.28]	15.5[.61]	13.5[.53]
202413-12-12S	C5435X12	3/4-14	1 1/16-12	42.2[1.66]	83.3[3.28]	15.5[.61]	18.3[.72]
202413-12-16S	C5435X16X12	3/4-14	1 5/16-12	46[1.81]	98[3.86]	21.3[.84]	18.3[.72]
202413-16-16S	C5435X16	1-11 1/2	1 5/16-12	46[1.81]	102.9[4.05]	21.3[.84]	23.9[.94]
202413-20-20S	C5435X20	1 1/4-11 1/2	1 5/8-12	52.3[2.06]	127[5.00]	27.4[1.08]	31.8[1.25]

REVISIONS			
REV	DESCRIPTION	DATE	APPROVED
AL	REDRAWN & UPDATED TO DANFOSS FORMAT AND DIMENSION STYLE. 1) ADDED PART 202413-20-20S. 2) ADDED WEATHERHEAD PARTS.	2009-12-30 ADM/ADN	0038473-ECO

AL
2



METRIC

- 2. MATERIAL: STEEL
- 1. DIMENSIONS ARE IN MILLIMETERS [INCHES].

DRAWN A. MHASKE CHECKED A. NAGARKATTI APPROVED A. NAGARKATTI RELEASE DATE 2009-12-30 0038473-ECO	FLUID CONVEYANCE DIVISION DRAWING TITLE ADAPTER SAE 37° FLARE - 90° MALE EXTRA LONG ELBOW (SAE #071602)
THIRD ANGLE PROJECTION 	SIZE A2 DRAWING NUMBER 202413-S REV AL
SCALE NONE DIST U CAGE CODE 01276 SHEET 2	THE REPRODUCTION, DISTRIBUTION AND UTILIZATION OF THIS DOCUMENT AS WELL AS THE COMMUNICATION OF ITS CONTENTS TO OTHERS WITHOUT EXPLICIT AUTHORIZATION IS PROHIBITED. OFFENDERS WILL BE HELD LIABLE FOR THE PAYMENT OF DAMAGES. ALL RIGHT RESERVED IN THE EVENT OF THE GRANT OF A PATENT, UTILITY MODEL OR DESIGN. (PER ISO 16016)

DWG. NO. 202413-S
 REV. 2 AL