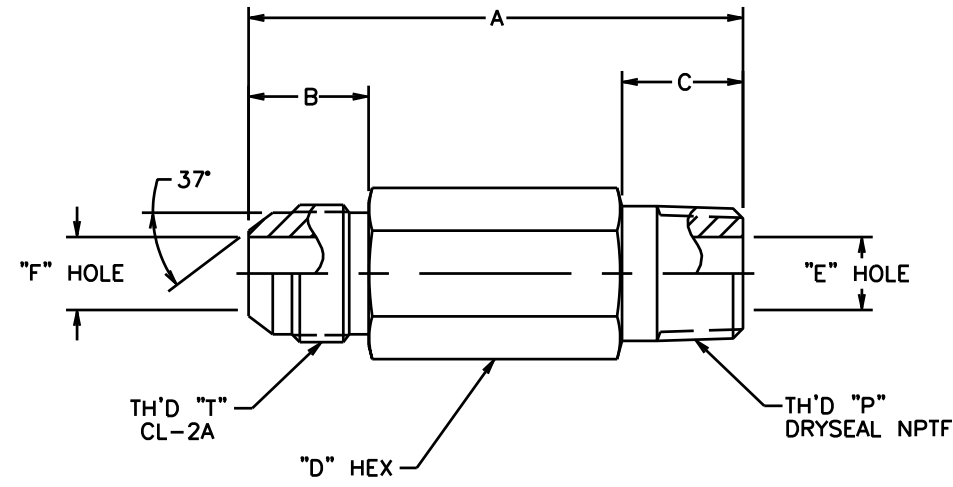


AEROQUIP PART NUMBER	TH'D "P"	TH'D "T"	A REF	B REF	C REF	D REF	E REF	F REF
202113-2-4S	1/8-27	7/16-20	1.81	.55	.40	.50	.17	.17
202113-2-5S	1/8-27	1/2-20	1.94	.55	.40	.56	.19	.23
202113-4-4S	1/4-18	7/16-20	2.25	.55	.58	.62	.28	.17
202113-4-5S	1/4-18	1/2-20	2.25	.55	.58	.62	.28	.23
202113-4-6S	1/4-18	9/16-18	2.25	.56	.58	.62	.28	.28
202113-6-6S	3/8-18	9/16-18	2.50	.56	.58	.75	.28	.30
202113-6-8S	3/8-18	3/4-16	2.75	.66	.58	.81	.39	.39
202113-8-10S	1/2-14	7/8-14	3.12	.76	.76	.94	.48	.48
202113-8-12S	1/2-14	1 1/16-12	3.28	.86	.76	1.12	.53	.53
202113-12-12S	3/4-14	1 1/16-12	3.50	.86	.76	1.12	.72	.61
202113-16-16S	1-11 1/2	1 5/16-12	4.00	.91	.96	1.38	.84	.84
202113-20-20S	1 1/4-11 1/2	1 5/8-12	4.50	.96	.98	1.69	1.25	1.08
202113-24-24S	1 1/2-11 1/2	1 7/8-12	4.88	1.08	1.02	2.00	1.31	1.31
202113-32-32S	2-11 1/2	2 1/2-12	5.62	1.33	1.04	2.62	1.78	1.78

REVISIONS			
REV.	DESCRIPTION	DATE	APPROVED
K	REDRAWN - LAST REV. "J" REVISED DIMENSIONS TO AGREE WITH DETAIL DRAWINGS	8-30-93	EN-F14192 DAI-17511



CONVERTED DRAWING CADAM to AutoCAD 9/98

1. MATERIAL: STEEL.

DRAWN R.D. GARRETT	DATE 8-30-93	 AEROQUIP CORPORATION Industrial Products Group Maumee, Ohio, U.S.A.
CHECKED R.D. GARRETT	DATE 8-30-93	
APPROVED R.D. GARRETT	DATE 8-30-93	DRAWING TITLE ADAPTER
RELEASED EN-F14192	DATE 8-30-93	SAE 37° FLARE - MALE CONNECTOR LONG
PROJECT NO. DAI-17511	APC NO.	SIZE (CAGE) CODE NO. DRAWING NUMBER C 01276 202113-S
DESIGN APPROVED		SHEET U

DWG. NO. 202113-S REV. K SH. 1+99