

PART NUMBER	WEATHERHEAD CATALOG NUMBER	TH'D "P"	TH'D "T"	A REF	B REF	C REF	D REF	E REF	F REF
2021-2-2S	C5205X2	1/8-27	5/16-24	1.11	.45	.40	.06	.19	.44
2021-2-3S	C5205X3	1/8-27	3/8-24	1.14	.48	.40	.12	.19	.44
2021-2-4S	C5205X4	1/8-27	7/16-20	1.22	.55	.40	.17	.17	.50
2021-2-5S	C5205X5	1/8-27	1/2-20	1.22	.55	.40	.23	.19	.56
2021-2-6S	C5205X6X2	1/8-27	9/16-18	1.24	.56	.40	.30	.19	.62
2021-2-8S	C5205X8X2	1/8-27	3/4-16	1.34	.66	.40	.39	.19	.69
2021-4-4S	C5205X4X4	1/4-18	7/16-20	1.42	.55	.58	.17	.28	.56
2021-4-5S	C5205X5X4	1/4-18	1/2-20	1.42	.55	.58	.23	.28	.56
2021-4-6S	C5205X6	1/4-18	9/16-18	1.43	.56	.58	.28	.28	.62
2021-4-8S	C5205X8X4	1/4-18	3/4-16	1.53	.66	.58	.39	.28	.81
2021-6-4S	C5205X4X6	3/8-18	7/16-20	1.42	.55	.58	.17	.41	.75
2021-6-5S	C5205X5X6	3/8-18	1/2-20	1.42	.55	.58	.23	.41	.75
2021-6-6S	C5205X6X6	3/8-18	9/16-18	1.43	.56	.58	.30	.41	.75
2021-6-8S	C5205X8	3/8-18	3/4-16	1.53	.66	.58	.39	.39	.81
2021-6-10S	C5205X10X6	3/8-18	7/8-14	1.70	.76	.58	.48	.41	.94
2021-6-12S	C5205X12X6	3/8-18	1 1/16-12	1.75	.86	.58	.61	.41	1.12
2021-8-4S	C5205X4X8	1/2-14	7/16-20	1.68	.55	.76	.17	.53	.88
2021-8-6S	C5205X6X8	1/2-14	9/16-18	1.69	.56	.76	.30	.53	.88
2021-8-8S	C5205X8X8	1/2-14	3/4-16	1.79	.66	.76	.39	.53	.88
2021-8-10S	C5205X10	1/2-14	7/8-14	1.89	.76	.76	.48	.48	.94
2021-8-12S	C5205X12X8	1/2-14	1 1/16-12	2.06	.86	.76	.53	.53	1.12
2021-8-16S	C5205X16X8	1/2-14	1 5/16-12	2.11	.91	.76	.84	.53	1.38
2021-12-4S	C5205X4X12	3/4-14	7/16-20	1.70	.55	.77	.17	.72	1.12
2021-12-6S	C5205X6X12	3/4-14	9/16-18	1.75	.56	.76	.30	.72	1.12
2021-12-8S	C5205X8X12	3/4-14	3/4-16	1.85	.66	.76	.39	.72	1.12
2021-12-10S	C5205X10X12	3/4-14	7/8-14	1.95	.76	.76	.48	.72	1.12
2021-12-12S	C5205X12	3/4-14	1 1/16-12	2.06	.86	.76	.61	.72	1.12
2021-12-14S	C5205X14	3/4-14	1 3/16-12	2.09	.89	.77	.72	.72	1.25
2021-12-16S	C5205X16X12	3/4-14	1 5/16-12	2.11	.91	.76	.84	.72	1.38
2021-12-20S	C5205X20X12	3/4-14	1 5/8-12	2.18	.96	.77	1.07	.72	1.69
2021-16-8S	C5205X8X16	1-11 1/2	3/4-16	2.05	.66	.96	.39	.94	1.38
2021-16-10S	C5205X10X16	1-11 1/2	7/8-14	2.15	.76	.96	.48	.94	1.38
2021-16-12S	C5205X12X16	1-11 1/2	1 1/16-12	2.25	.86	.96	.61	.94	1.38
2021-16-14S	C5205X14X16	1-11 1/2	1 3/16-12	2.23	.89	.96	.72	.94	1.38
2021-16-16S	C5205X16	1-11 1/2	1 5/16-12	2.30	.91	.96	.84	.84	1.38
2021-16-20S	C5205X20X16	1-11 1/2	1 5/8-12	2.42	.96	.96	.94	.94	1.69
2021-16-24S	C5205X24X16	1-11 1/2	1 7/8-12	2.62	1.08	.96	1.31	.94	2.00
2021-16-32S	C5205X32X16	1-11 1/2	2 1/2-12	3.02	1.33	.96	1.78	.94	2.62
2021-20-12S	C5205X12X20	1 1/4-11 1/2	1 1/16-12	2.36	.86	.98	.61	1.25	1.69
2021-20-16S	C5205X16X20	1 1/4-11 1/2	1 5/16-12	2.40	.91	.98	.84	1.25	1.69
2021-20-20S	C5205X20	1 1/4-11 1/2	1 5/8-12	2.45	.96	.98	1.08	1.25	1.69
2021-20-24S	C5205X24X20	1 1/4-11 1/2	1 7/8-12	2.65	1.08	.98	1.25	1.25	2.00
2021-20-32S	C5205X32X20	1 1/4-11 1/2	2 1/2-12	3.05	1.33	.98	1.78	1.25	2.62
2021-24-12S	C5205X12X24	1 1/2-11 1/2	1 1/16-12	2.46	.86	1.02	.61	1.50	2.00
2021-24-16S	C5205X16X24	1 1/2-11 1/2	1 5/16-12	2.51	.91	1.02	.84	1.50	2.00
2021-24-20S	C5205X20X24	1 1/2-11 1/2	1 5/8-12	2.55	.96	1.02	1.08	1.50	2.00
2021-24-24S	C5205X24	1 1/2-11 1/2	1 7/8-12	2.68	1.08	1.02	1.31	1.31	2.00
2021-24-32S	C5205X32X24	1 1/2-11 1/2	2 1/2-12	3.08	1.33	1.02	1.78	1.50	2.62
2021-32-24S	C5205X24X32	2-11 1/2	1 7/8-12	2.81	1.08	1.05	1.31	1.94	2.50
2021-32-32S	C5205X32	2-11 1/2	2 1/2-12	3.11	1.33	1.04	1.78	1.78	2.62
2021-40-40S	C5205X40	2 1/2-8	3-12	3.38	1.11	1.53	2.31	2.31	3.12

(AZ)

1. MATERIAL: STEEL

(BA)

(BA)

(BA)

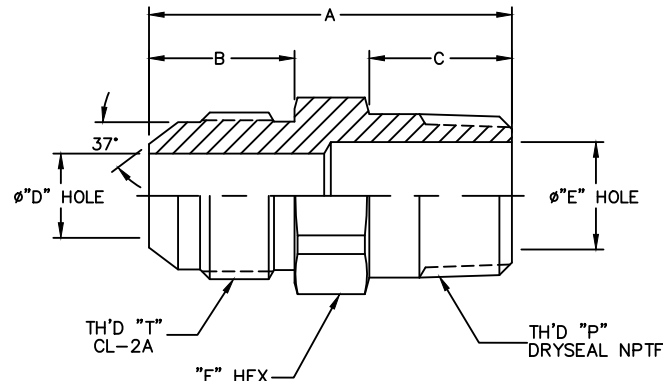
(BB)

(BC)

(BA)

(BA)

(BA)



REVISIONS			
REV	DESCRIPTION	DATE	APPROVED
AZ	REDRAWN (1) ADDED WEATHERHEAD CATALOG NUMBERS	2003-10-17 ATH/W.R.H.	EN-F25081 DP-1513
BA	(1) ADDED PART NUMBERS 2021-2-2S, 2021-12-4S 2021-12-14S, 2021-12-20S, 2021-16-14S & 2021-32-24S.	2011-06-15 VMS/AGV	0053597-ECO
BB	(1) WEATHERHEAD CATALOG NUMBER WAS C5205X14X12.	2012-08-10 RDZ/PSW	0074603-ECO
BC	(1) "A" REF DIMENSION WAS 2.04	2013-01-10 VPC/AJC	0079812-ECO DP-1299

INCH

DRAWN A. HISS CHECKED W.R. HYDE APPROVED W.R. HYDE RELEASE DATE 2003-10-17 EN-F25081 DP-1513 THIRD ANGLE PROJECTION	FLUID CONVEYANCE DIVISION DRAWING TITLE ADAPTER SAE 37° FLARE - MALE CONNECTOR (SAE #070102)
SIZE A2 DIST U NONE	DRAWING NUMBER 2021-S CAGE CODE 01276
SHEET 1	REV BC

THE REPRODUCTION, DISTRIBUTION AND UTILIZATION OF THIS DOCUMENT AS WELL AS THE COMMUNICATION OF ITS CONTENTS TO OTHERS WITHOUT EXPLICIT AUTHORIZATION IS PROHIBITED. OFFENDERS WILL BE HELD LIABLE FOR THE PAYMENT OF DAMAGES. ALL RIGHT RESERVED IN THE EVENT OF THE GRANT OF A PATENT, UTILITY MODEL OR DESIGN. (PER ISO 16016)

REV. BC
SHEET 1
2021-S
DWG. NO.