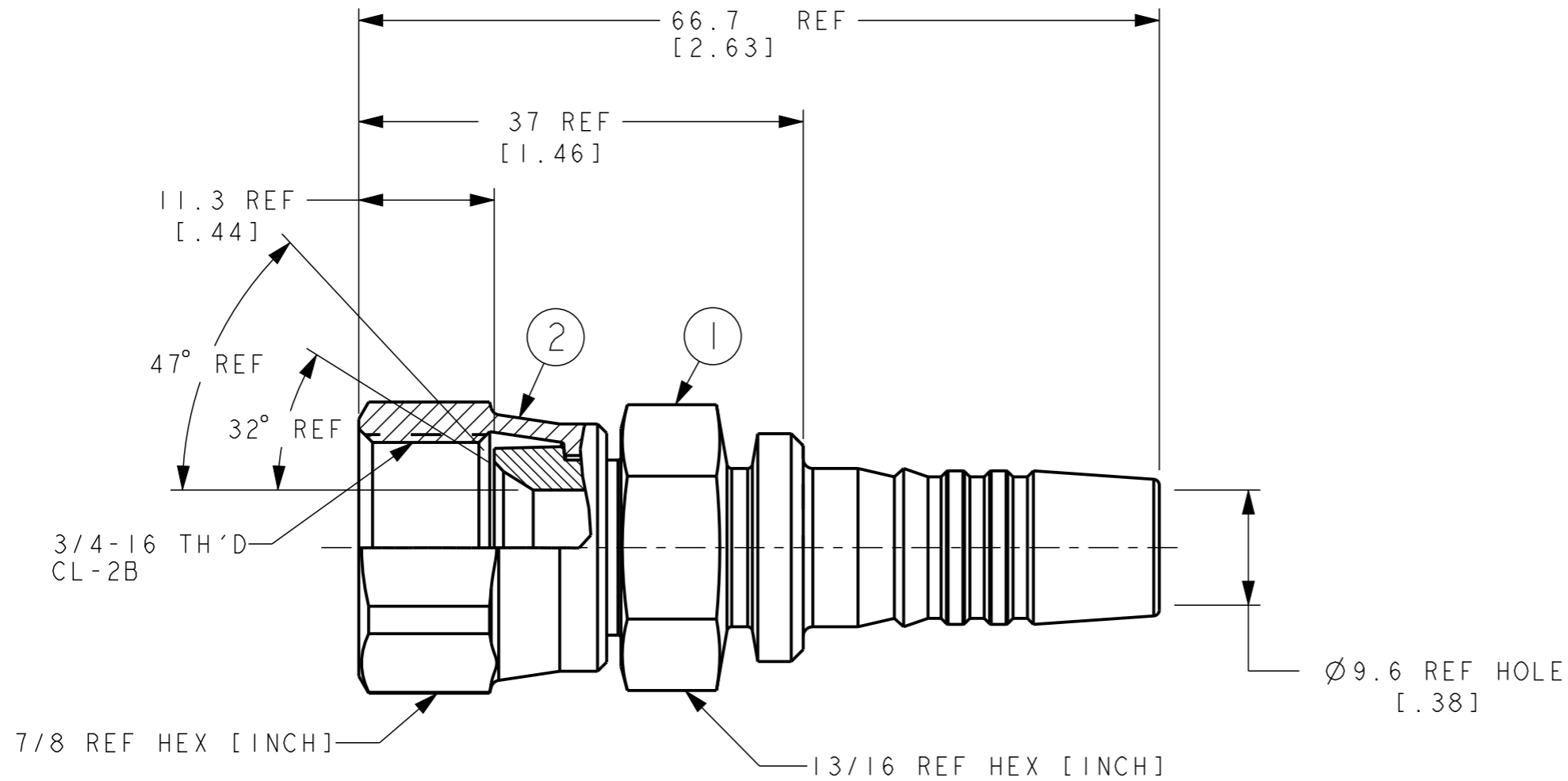


PART NUMBER	SURFACE AREA	MASS
ISA8FJ8	8046 mm ²	71 g

REVISIONS			
REV	DESCRIPTION	DATE	APPROVED
E	REDRAWN. UPDATED TO LATEST FORMAT TO SHOW DUAL SEATING NIPPLE DESIGN.	2023-07-15 VSP	CO-0229730



METRIC

ISA8FJ8	IF40000A0808-S	210204-8S			
PART NUMBER	① NIPPLE	② NUT			

LIST OF MATERIALS

ITEM NO.	MATERIAL	FLUID CONVEYANCE DIVISION MAUMEE, OHIO U.S.A.		DRAWN V. PATIL		
1	STEEL			CHECKED V. PATIL		
2	STEEL			APPROVED B. JADHAV		
				RELEASE DATE 2023-07-15		
				DRAWING INTERPRETATION PER ES 10		
			DRAWING TITLE			
			NIPPLE ASSEMBLY			
			HIGH PRESSURE SAE 37° FEMALE SWIVEL 2781 HOSE			
		CO-0229730	CAGE CODE 01276	DRAWING NUMBER		
		THIRD ANGLE PROJECTION	DIST U	ISA8FJ8		
		SIZE A3	SCALE 2/1	REV		
		SHEET 1		E		

2. PROCESS AS FOLLOWS:
(a) CRIMP NUT PER ACES 2813.

1. DIMENSIONS ARE IN MILLIMETERS [INCHES].

THE REPRODUCTION, DISTRIBUTION, AND UTILIZATION OF THIS DOCUMENT AS WELL AS THE COMMUNICATION OF ITS CONTENTS TO OTHERS WITHOUT EXPLICIT AUTHORIZATION IS PROHIBITED. OFFENDERS WILL BE HELD LIABLE FOR THE PAYMENT OF DAMAGES. ALL RIGHTS RESERVED IN THE EVENT OF THE GRANT OF A PATENT, UTILITY MODEL OR DESIGN. (PER ISO 16016)