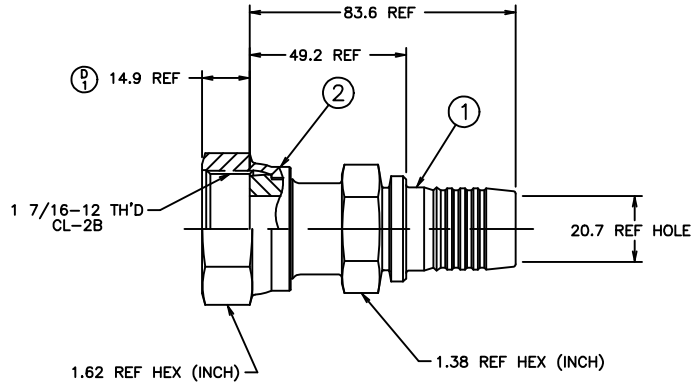


THE REPRODUCTION, DISTRIBUTION AND UTILIZATION OF THIS DOCUMENT AS WELL AS THE COMMUNICATION OF ITS CONTENTS TO OTHERS WITHOUT EXPRESS AUTHORIZATION IS PROHIBITED. OFFENDERS WILL BE HELD LIABLE FOR THE PAYMENT OF DAMAGES. ALL RIGHTS RESERVED IN THE EVENT OF THE GRANT OF A PATENT, UTILITY MODEL OR DESIGN. (PER ISO 18016)

REVISIONS			
REV	DESCRIPTION	DATE	APPROVED
D	REDRAWN - SUPERSEDES 1SA_FR SHEET 1/2 REV. C FOR 1SA16FR16 (1) WAS 14.8 REF	10-25-95	EN-F16048 DP-24900



83.6	3.29
49.2	1.94
20.7	.81
14.9	.59
MM	INCH

CONVERSION

METRIC

CONVERTED DRAWING CADMAN to AutoCAD 18/98

DWG. NO. 1SA16FR16 SHE. REV. D

1SA16FR16	1F40010A1616-S	FC1473-16S			
AEROQUIP PART NUMBER	① NIPPLE	② NUT			
LIST OF MATERIALS					
ITEM NO.	MATERIAL	DRAWN R.D.GARRETT	FLUID CONVEYANCE DIVISION		
1	STEEL	CHECKED M.MOLINA			
2	STEEL	APPROVED R.D.GARRETT	DRAWING TITLE NIPPLE ASSEMBLY ORS FEMALE SWIVEL, 2781 HOSE		
		RELEASE DATE 10-26-95	SIZE C	DRAWING NUMBER 1SA16FR16	REV D
		EN-F16048 DP-24900	SCALE 1/1	DIST U	CAGE CODE 01276
					SHEET NO

1. CRIMP NUT PER ACES 2409P1.