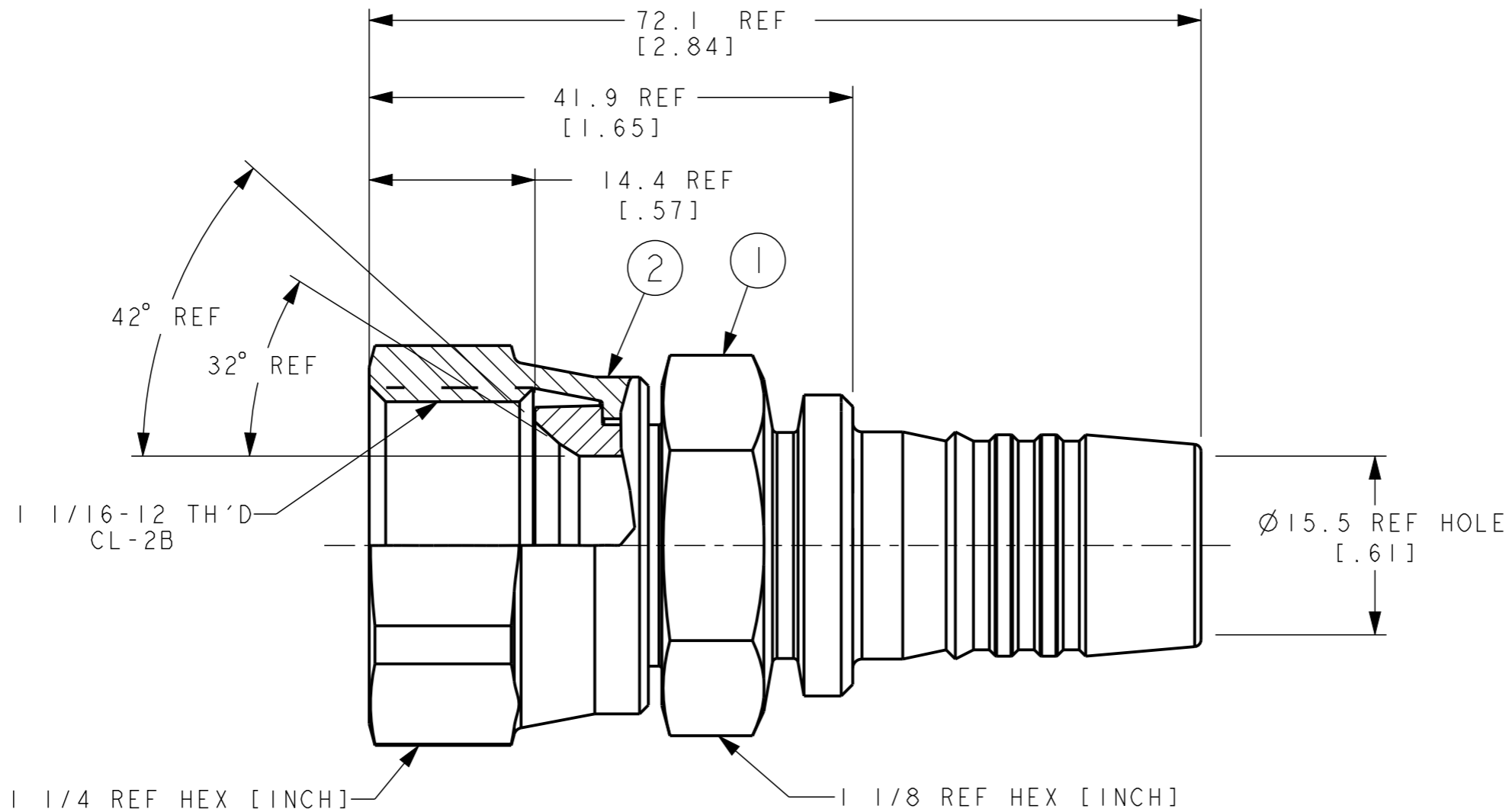



PART NUMBER	SURFACE AREA	MASS
ISA12FJ12	13302 mm ²	145 g

REVISIONS			
REV	DESCRIPTION	DATE	APPROVED
E	REDRAWN. UPDATED TO LATEST FORMAT TO SHOW DUAL SEATING NIPPLE DESIGN.	2023-07-15 VSP	CO-0229730



ISA12FJ12	IF40000A1212-S	210204-12S			
PART NUMBER	① NIPPLE	② NUT			

LIST OF MATERIALS

ITEM NO.	MATERIAL	FLUID CONVEYANCE DIVISION MAUMEE, OHIO U.S.A.		DRAWN V. PATIL	
1	STEEL			CHECKED V. PATIL	
2	STEEL			APPROVED B. JADHAV	
				RELEASE DATE 2023-07-15	
				DRAWING INTERPRETATION PER ES 10	
		DRAWING TITLE		NIPPLE ASSEMBLY	
		CO-0229730 CAGE CODE 01276		HIGH PRESSURE SAE 37° FEMALE SWIVEL 2781 HOSE	
		THIRD ANGLE PROJECTION DIST U		DRAWING NUMBER	
		SIZE A3		ISA12FJ12	
		SCALE 2/1		REV	
		SHEET 1		E	
<small>THE REPRODUCTION, DISTRIBUTION, AND UTILIZATION OF THIS DOCUMENT AS WELL AS THE COMMUNICATION OF ITS CONTENTS TO OTHERS WITHOUT EXPLICIT AUTHORIZATION IS PROHIBITED. OFFENDERS WILL BE HELD LIABLE FOR THE PAYMENT OF DAMAGES. ALL RIGHTS RESERVED IN THE EVENT OF THE GRANT OF A PATENT, UTILITY MODEL OR DESIGN. (PER ISO 16016)</small>					

2. PROCESS AS FOLLOWS:
(a) CRIMP NUT PER ACES 2813.

1. DIMENSIONS ARE IN MILLIMETERS [INCHES].