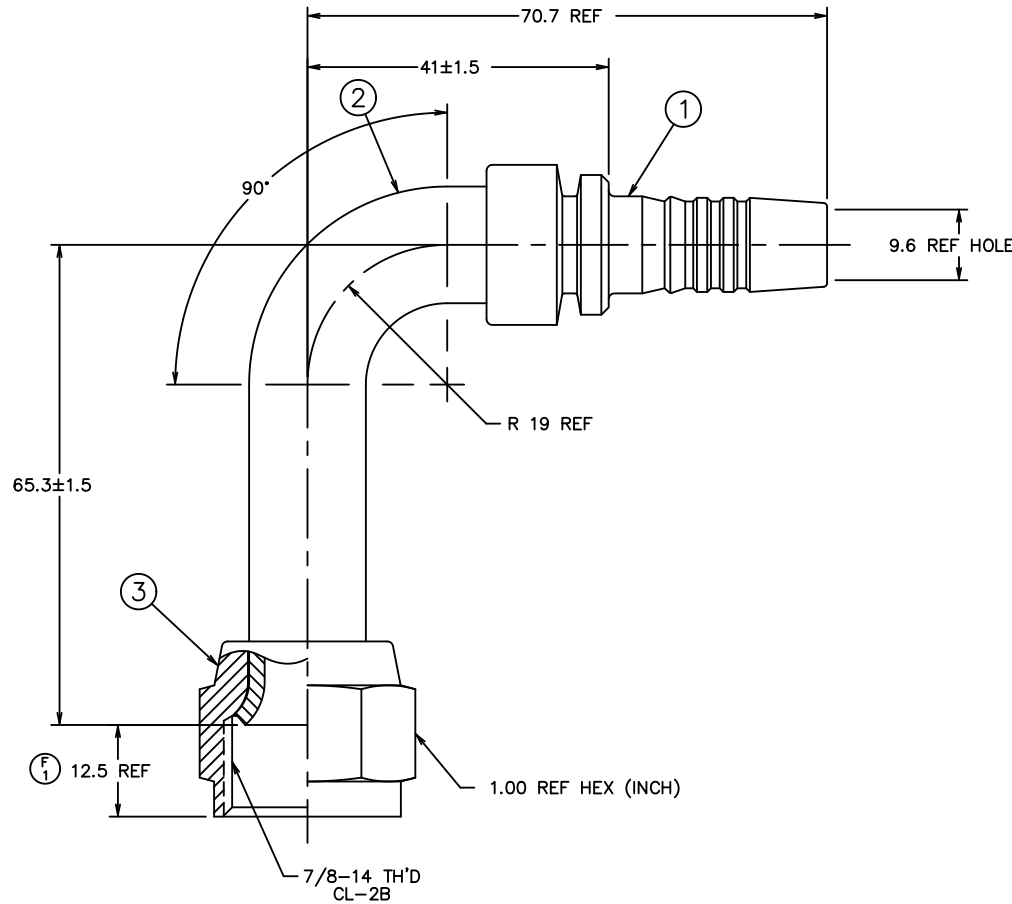


REVISIONS			
REV	DESCRIPTION	DATE	APPROVED
F	REDRAWN - SUPERSEDES 1SA_FJC_ REV. "E" FOR 1SA10FJC8 (1) WAS 13.7 REF	11-14-95	EN-F16026 DP-24900
G	1) NOTE #1(b) WAS ZINC PLATE PER ACES 2751	2020-05-21 ARK	CO-0203424



70.7	2.78
65.3±1.5	2.57±.06
41±1.5	1.61±.06
19	.75
12.5	.49
9.6	.38
MM	INCH

CONVERSION

METRIC

1SA10FJC8	1F40014-1008AB	1F40016-10-03AB	210221-10S		
AEROQUIP PART NUMBER	① NIPPLE	② ELBOW	③ NUT		
LIST OF MATERIALS					
ITEM NO.	MATERIAL	DRAWN R.D. GARRETT CHECKED M. MOLINA APPROVED R.D. GARRETT RELEASE DATE 1995-11-15 EN-F16026 DP-24900 THIRD ANGLE PROJECTION			
1	STEEL	FLUID CONVEYANCE DIVISION DRAWING TITLE NIPPLE ASSEMBLY 90°, SAE 37° SWIVEL 2781 HOSE SIZE A2 DRAWING NUMBER 1SA10FJC8 REV G SCALE 2/1 DIST U CAGE CODE 01276 SHEET 1			
2	STEEL				
3	STEEL				
THE REPRODUCTION, DISTRIBUTION AND UTILIZATION OF THIS DOCUMENT AS WELL AS THE COMMUNICATION OF ITS CONTENTS TO OTHERS WITHOUT EXPLICIT AUTHORIZATION IS PROHIBITED. OFFENDERS WILL BE HELD LIABLE FOR THE PAYMENT OF DAMAGES. ALL RIGHT RESERVED IN THE EVENT OF THE GRANT OF A PATENT, UTILITY MODEL OR DESIGN. (PER ISO 16016)					

② CAN BE MADE FROM TUBING PER SPECIFICATIONS ON ELBOW DRAWING.

1. PROCESS AS FOLLOWS:
 (a) BRAZE PER ACES 2814.
 (b) ZINC PLATE PER ES 2751DB. ①
 (c) ASSEMBLE NUT AND FLARE ELBOW PER FF481.