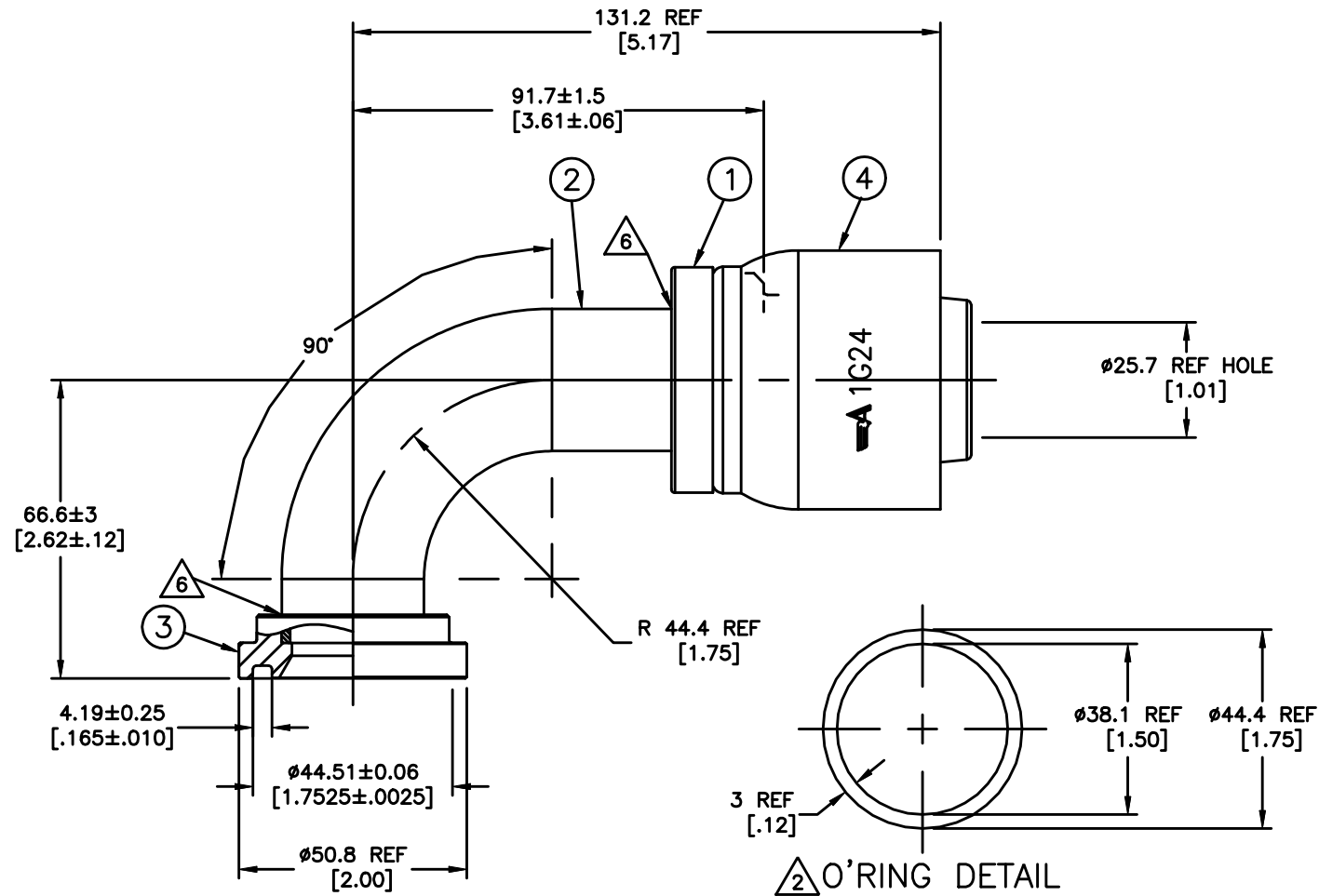


REVISIONS			
REV	DESCRIPTION	DATE	APPROVED
F	REDRAWN & REDESIGNED (1) ADDED INCH DIMENSIONS AND NOTE #4 (2) ADDED ALTERNATE CONSTRUCTION, NOTE #5.	2000-09-11	EN-F22890 DP-1299 BAL/WRH



5	1G20FLB24	1F90001-3824AR	19.020-38.27	17.007-38-20	1G24	
	1G20FLB24	1F40014-2024AB	1F40034-20-01AB	4624-20S	1G24	
	AEROQUIP PART NUMBER	① NIPPLE	② ELBOW	③ SHOULDER	④ SOCKET	

LIST OF MATERIALS

ITEM NO.	MATERIAL
1	STEEL
2	STEEL
3	STEEL
4	STEEL

DRAWN B.LAMPLEY CHECKED W.R.HYDE APPROVED W.R.HYDE RELEASE DATE 2002-10-16 EN-F22890 DP-1299 THIRD ANGLE PROJECTION	FLUID CONVEYANCE DIVISION DRAWING TITLE FITTING ASSEMBLY 90°, SPLIT FLANGE TYPE (CODE 61), OTC
SIZE A2	DRAWING NUMBER 1G20FLB24
SCALE 1/1	DIST U
CAGE CODE 01276	SHEET F

- 6. BRAZE PER ACES 2814.
- 5. ALTERNATIVE CONSTRUCTION. (F2)
- 4. DIMENSIONS ARE IN MILLIMETERS [INCHES]. (F1)
- 3. 1S20FLB24 NIPPLE ASSEMBLY MAY BE SUBSTITUTED FOR ITEMS #1, #2 & #3.
- 2. O-RING SHOWN FOR REFERENCE ONLY: SUPPLIED BUT NOT FURNISHED WITH ASSEMBLY.
- 1. ZINC PLATE PER 2751.

REV. F
SH. 1G20FLB24
DWG. NO.