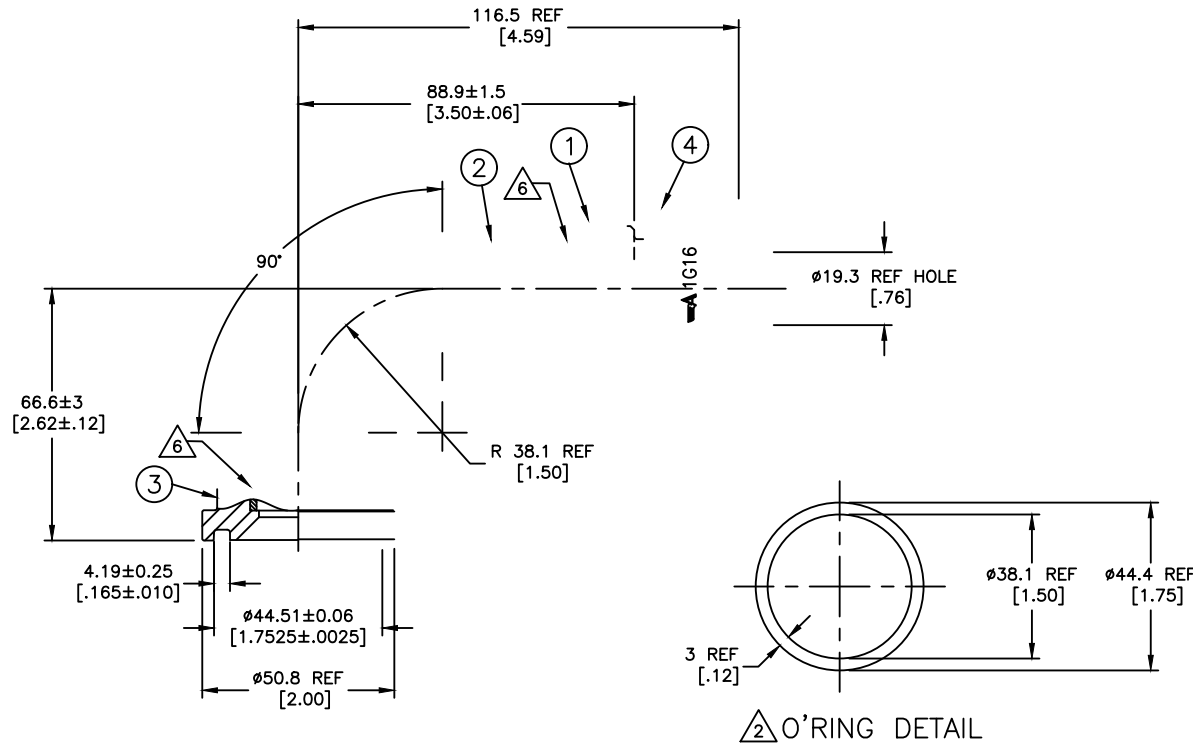


REVISIONS			
REV	DESCRIPTION	DATE	APPROVED
F	REDRAWN & REDESIGNED (1) ADDED INCH DIMENSIONS AND NOTE #4 (2) ADDED ALTERNATE CONSTRUCTION, NOTE #3.	2000-09-11	EN-F22890 DP-1299 BAL/WRH



METRIC

- 6. BRAZE PER ACES 2751.
- 5. ALTERNATIVE CONSTRUCTION. (F<sub>2</sub>)
- 4. DIMENSIONS ARE IN MILLIMETERS [INCHES]. (F<sub>1</sub>)
- 3. 1S20FLA16 NIPPLE ASSEMBLY MAY BE SUBSTITUTED FOR ITEMS #1, #2 AND #3.
- 2. O-RING SHOWN FOR REFERENCE ONLY: SUPPLIED BUT NOT FURNISHED WITH ASSEMBLY.
- 1. ZINC PLATE PER 2751.

5	1G20FLB16	1F90001-2516AR	19.020-25.42	17.007-25-20	1G16	
	1G20FLB16	1F40014-1616AB	1F40034-16-01AB	4624-20-16S	1G16	
	AEROQUIP PART NUMBER	1 NIPPLE	2 ELBOW	3 SHOULDER	4 SOCKET	

LIST OF MATERIALS

ITEM NO.	MATERIAL	DRAWN B.LAMPLEY	CHECKED W.R.HYDE	APPROVED W.R.HYDE	RELEASE DATE 2002-10-16	EN-F22890	DP-1299	THIRD ANGLE PROJECTION	SIZE A2	DRAWING NUMBER 1G20FLB16	REV
1	STEEL										
2	STEEL										
3	STEEL										
4	STEEL										
		SCALE 1/1		DIST U		CAGE CODE 01276		SHEET			

**Danfoss** FLUID CONVEYANCE DIVISION

DRAWING TITLE  
FITTING ASSEMBLY  
90°, SPLIT FLANGE TYPE (CODE 61),  
OTC

THE REPRODUCTION, DISTRIBUTION AND UTILIZATION OF THIS DOCUMENT AS WELL AS THE COMMUNICATION OF ITS CONTENTS TO OTHER WITHOUT EXPLICIT AUTHORIZATION IS PROHIBITED. OFFENDERS WILL BE HELD LIABLE FOR THE PAYMENT OF DAMAGES. ALL RIGHT RESERVED IN THE EVENT OF THE GRANT OF A PATENT, UTILITY MODEL OR DESIGN. (PER ISO 18016)

SH. 1G20FLB16