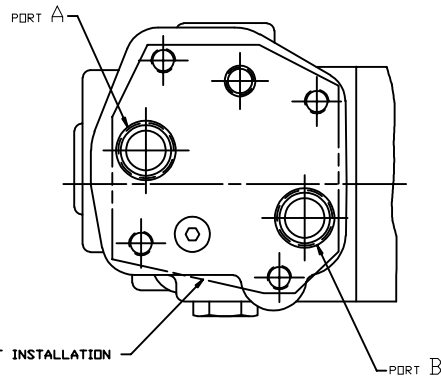
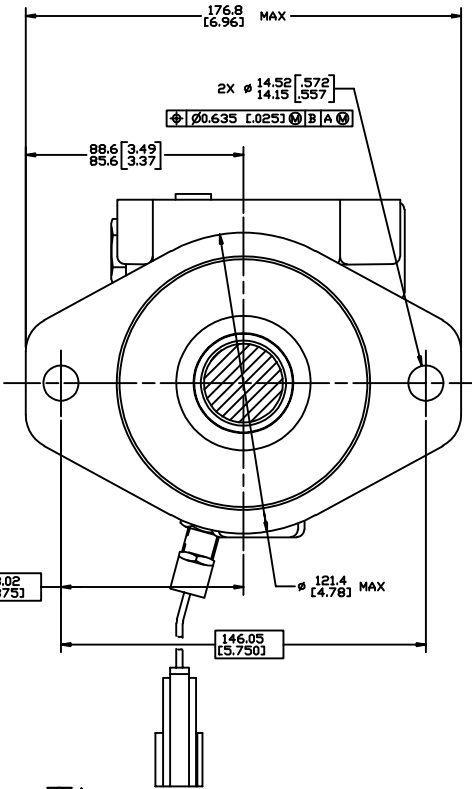
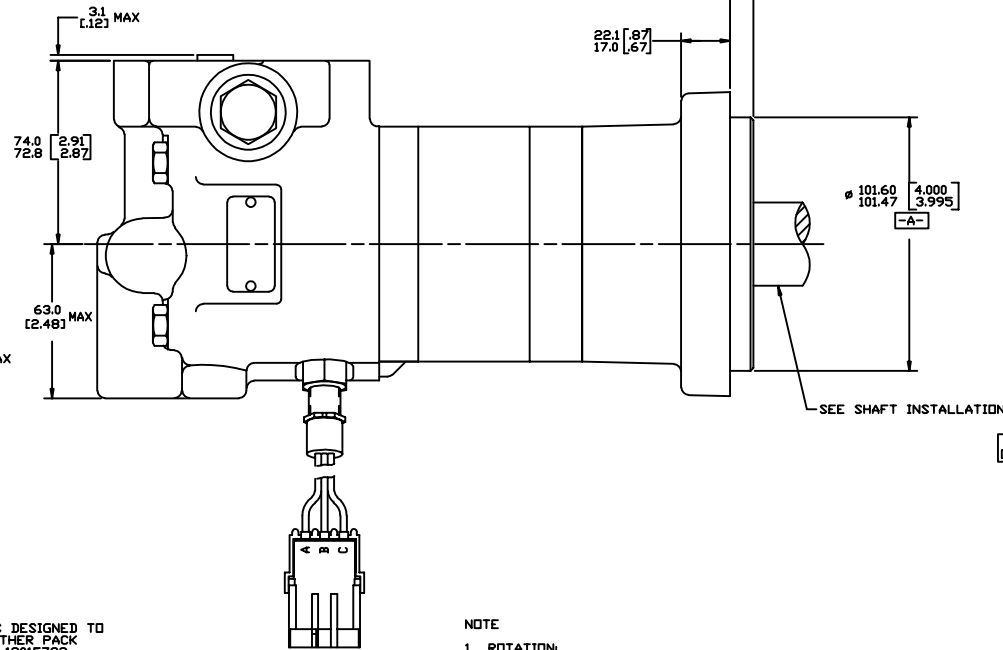
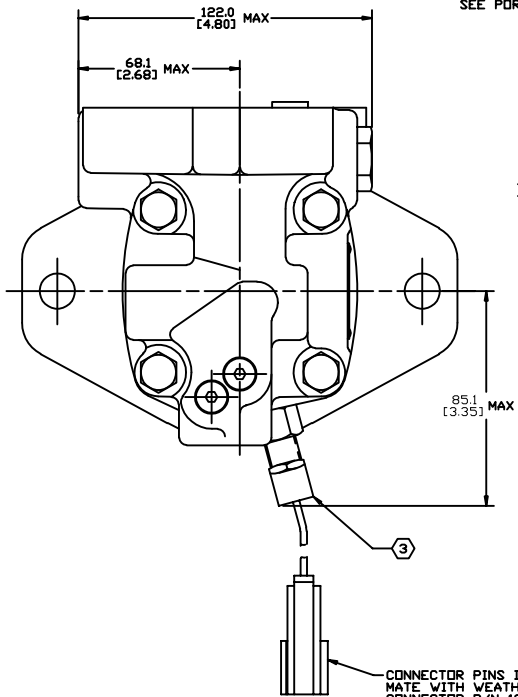


REV	DESCRIPTION	BY	CHK	DATE	ECN
A	ENGINEERING RELEASE	SMM		07-13-01	M25921
B	(4A)NOTE 2 WAS MOUNTING TYPE: F	AGJ		5-13-02	41044
C	-1-REDRAWN TO AUTOCAD -2X(6B)85.(13.35) WAS 86.9(3.42)	AAB		10-27-05	0066882



SEE PORT INSTALLATION

PORT B



CONNECTOR PINS DESIGNED TO MATE WITH WEATHER PACK CONNECTOR P/N 12015792 TERMINAL P/N 12089040 CONTACT RATINGS: 5 AMPS MAX AT 12 VOLTS (A=POWER, B=SIGNAL, C=COMMON)

NOTE

- ROTATION: STANDARD: WHEN FACING SHAFT END OF MOTOR, SHAFT TO ROTATE: CLOCKWISE WHEN PORT 'A' IS PRESSURIZED COUNTERCLOCKWISE WHEN PORT 'B' IS PRESSURIZED REVERSE: WHEN FACING SHAFT END OF MOTOR, SHAFT TO ROTATE: COUNTERCLOCKWISE WHEN PORT 'B' IS PRESSURIZED CLOCKWISE WHEN PORT 'A' IS PRESSURIZED
- MOUNTING TYPE: AF STANDARD, 2 BOLT: ϕ 101.6 [4.00] PILOT ϕ 14.35 [0.565] HOLES DN ϕ 146.0 [5.75] BOLT CIRCLE "SAE B"
- NOMINAL SENSOR OUTPUT WILL BE 30 ELECTRICAL PULSES PER SHAFT REVOLUTION SUPPLY VOLTAGE: 8 TO 28 Vdc OUTPUT VOLTAGE: LOW .5 Vdc AT 10 mA HIGH Vs-1 Vdc

REVIEWED FOR CLASSIFICATION PER ESP-042

DRAWING BASED ON ANSI Y14.5M-1982

UNLESS OTHERWISE SPECIFIED: DIMENSIONS ARE IN MILLIMETERS

TOLERANCES: 3X \pm .13

BOXES: DIMENSIONS ARE IN MILLIMETERS

UNSPECIFIED PINS ARE: 07-16-01

UNSPECIFIED DRAFT ANGLES ARE: 07-16-01

THIS ANGLE PROJECTION: DO NOT SCALE

REPRODUCTION OF THIS DOCUMENT IS PROHIBITED WITHOUT EXPRESS AUTHORIZATION BY PROTECTED OPERATORS. ALL RIGHTS RESERVED IN THE EVENT OF A PATENT UTILITY MODEL OR DESIGN. (PER ISO 10006)

DATE: 07-16-01

BY: SMM

CHK: M.L.

TITLE: 2000 SERIES - TWO SPEED MOTOR - INSTALLATION

NUMBER: A-667-014

SCALE: 1/1

SHEET 1 OF 1

Danfoss