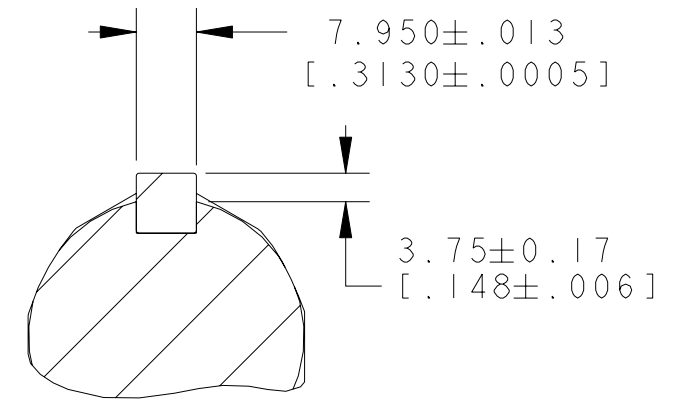
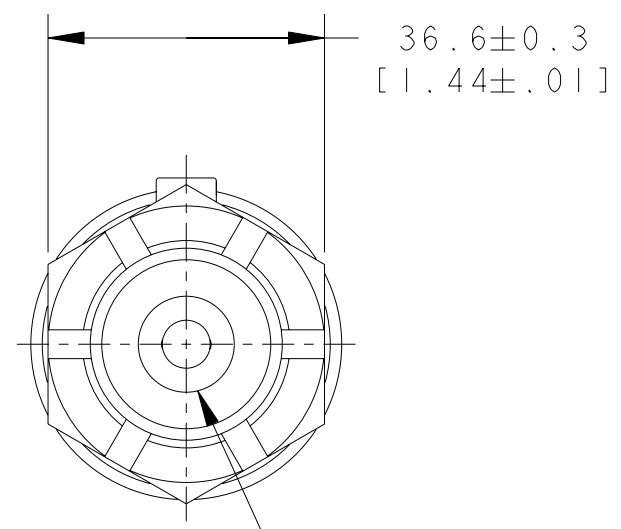
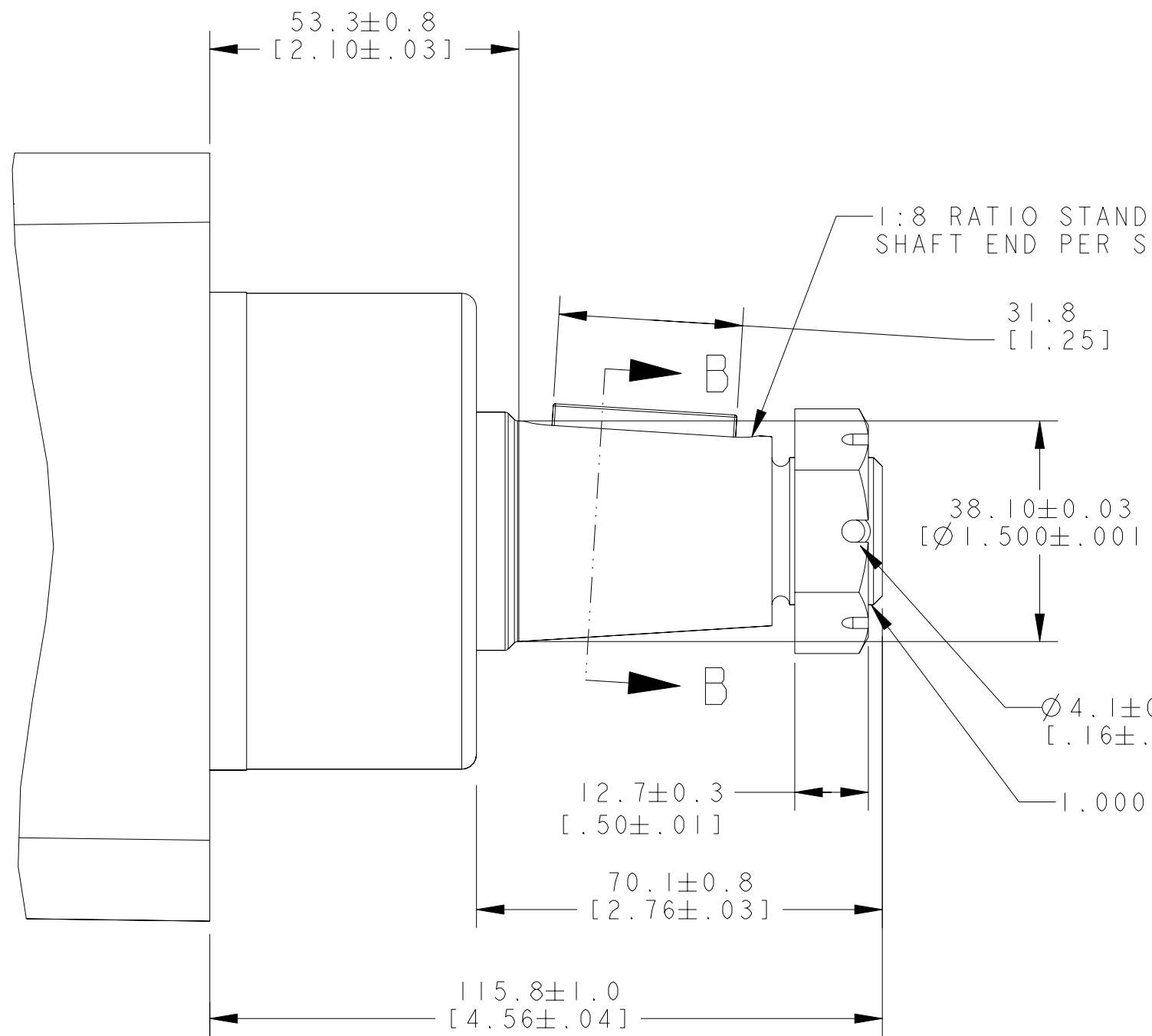


REV	DESCRIPTION	BY	CHK	DATE	ECN / MPS
A	RELEASE FOR SAMPLES AND ESTIMATES	PM	[]	03/09/06	X-54953
B	ENGINEERING RELEASE	SKS		5-11-04	M61164
C	REVISED	PM		8-25-06	56653
D	DIM 115.8±1.0 [4.56±.04] WAS 116.1±0.8 [4.57±.03]	SKS		09-03-09	M76870



Ø4.1±0.3 THRU
[.16±.01]
1.000-20 UNEF-2A

-A-

NOTE:
1 MOUNTING TYPE : AA
2 OUTPUT SHAFT : 06

UNLESS OTHERWISE SPECIFIED ALL DIMENSIONS ARE IN INCHES <input checked="" type="checkbox"/> MILLIMETERS (INCHES) <input type="checkbox"/> TOLERANCES .X ± 0.1 .XX ± 0.01 .XXX ± 0.001 < ± 0.5° UNSPECIFIED RADII ARE: - UNSPECIFIED DRAFT ANGLES ARE: ° B SIZE	DRAWING BASED ON ANSI Y14.5M-1982	
	THE REPRODUCTION, DISTRIBUTION, AND UTILIZATION OF THIS DOCUMENT, AS WELL AS THE COMMUNICATION OF ITS CONTENTS TO OTHERS WITHOUT EXPLICIT AUTHORIZATION IS PROHIBITED. OFFENDERS WILL BE HELD LIABLE FOR THE PAYMENT OF DAMAGES. ALL RIGHTS RESERVED IN THE EVENT OF THE GRANT OF A PATENT, UTILITY MODEL, OR DESIGN. (PER ISO 16016)	
DRAWN PM BY/DATE 11/10/2005 CHECKED AGJ BY/DATE 11/12/2005 ENGRG TIM BY/DATE 11/12/2005 METALLURGY - BY/DATE -	MATERIAL/HEAT TREAT - TITLE DELTA MOTOR SHAFT INSTALLATION	
MICROINCHES <input checked="" type="checkbox"/> MICROMETERS (MICROINCHES) <input type="checkbox"/> THIRD ANGLE PROJECTION DO NOT SCALE ARITHMETICAL AVERAGE <input checked="" type="checkbox"/>	NUMBER A-2824-006 SCALE 1/1 SHEET 1 OF 1	

