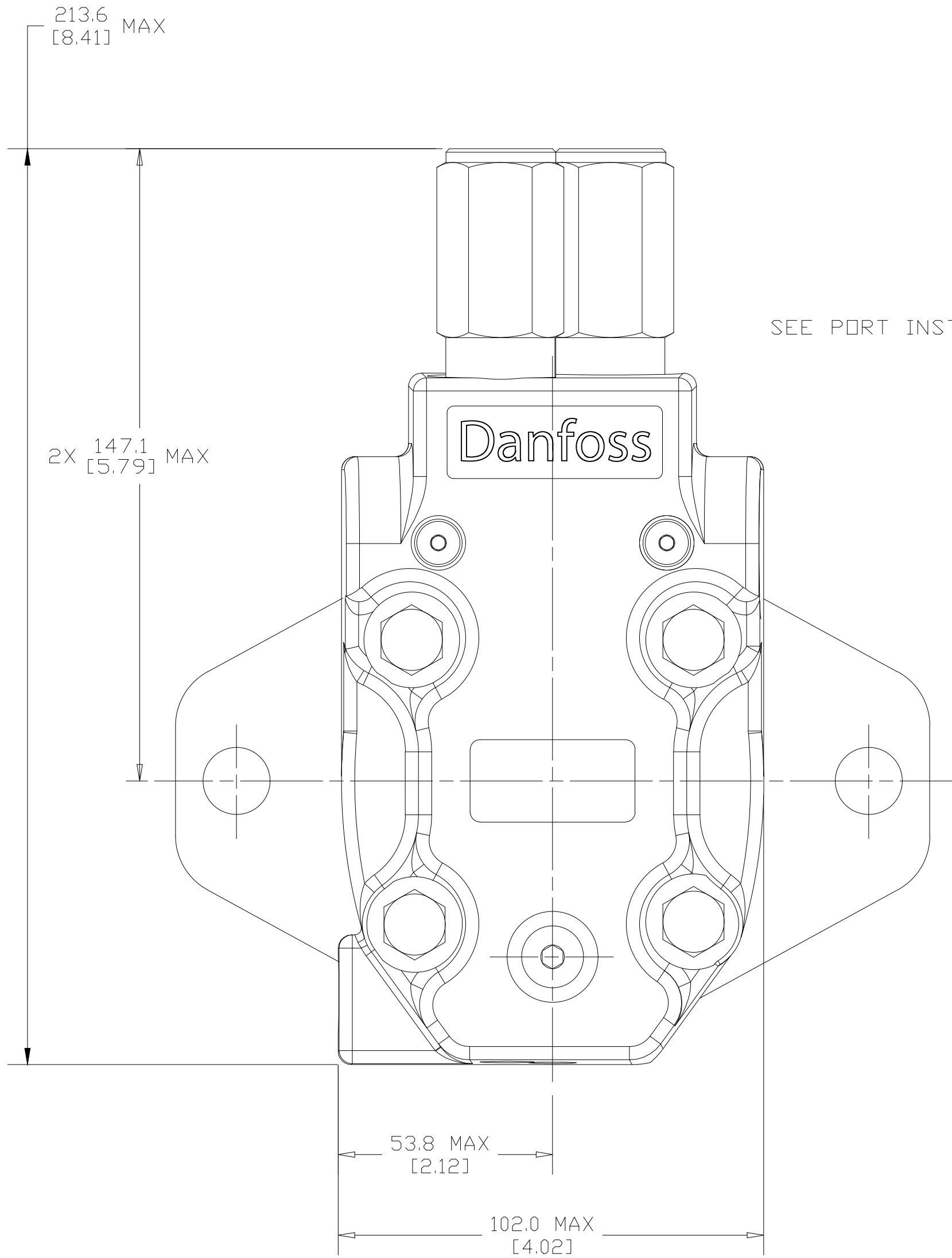
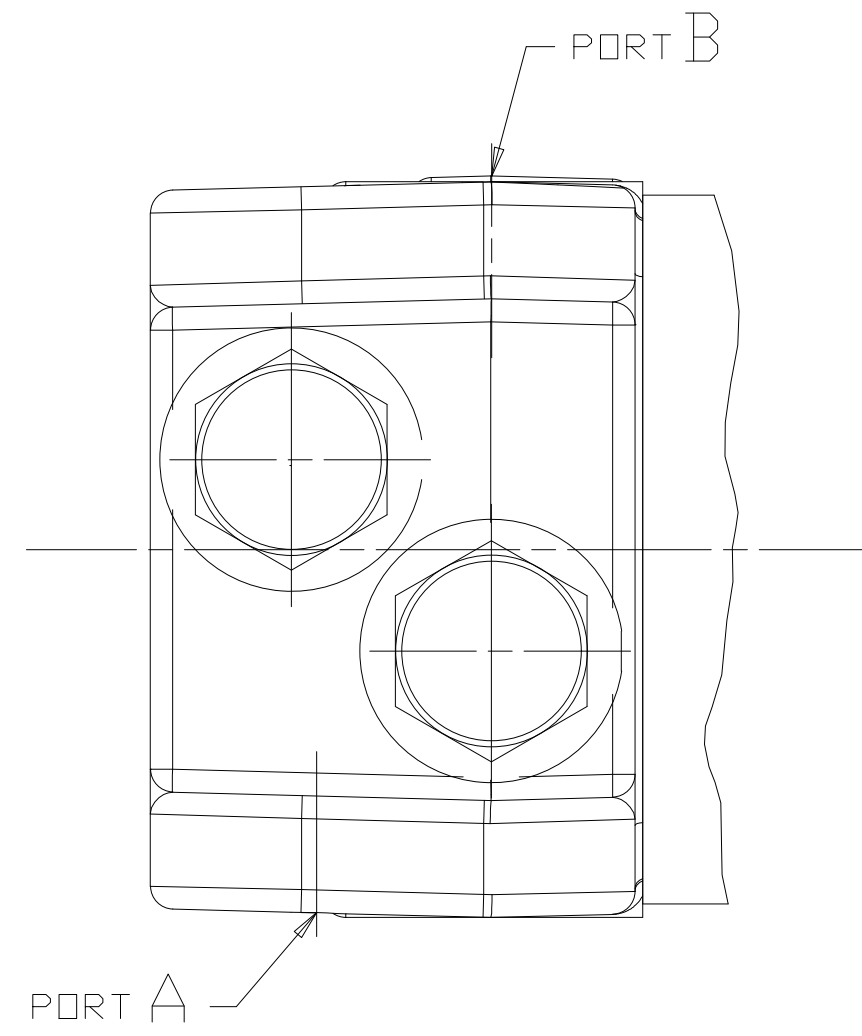
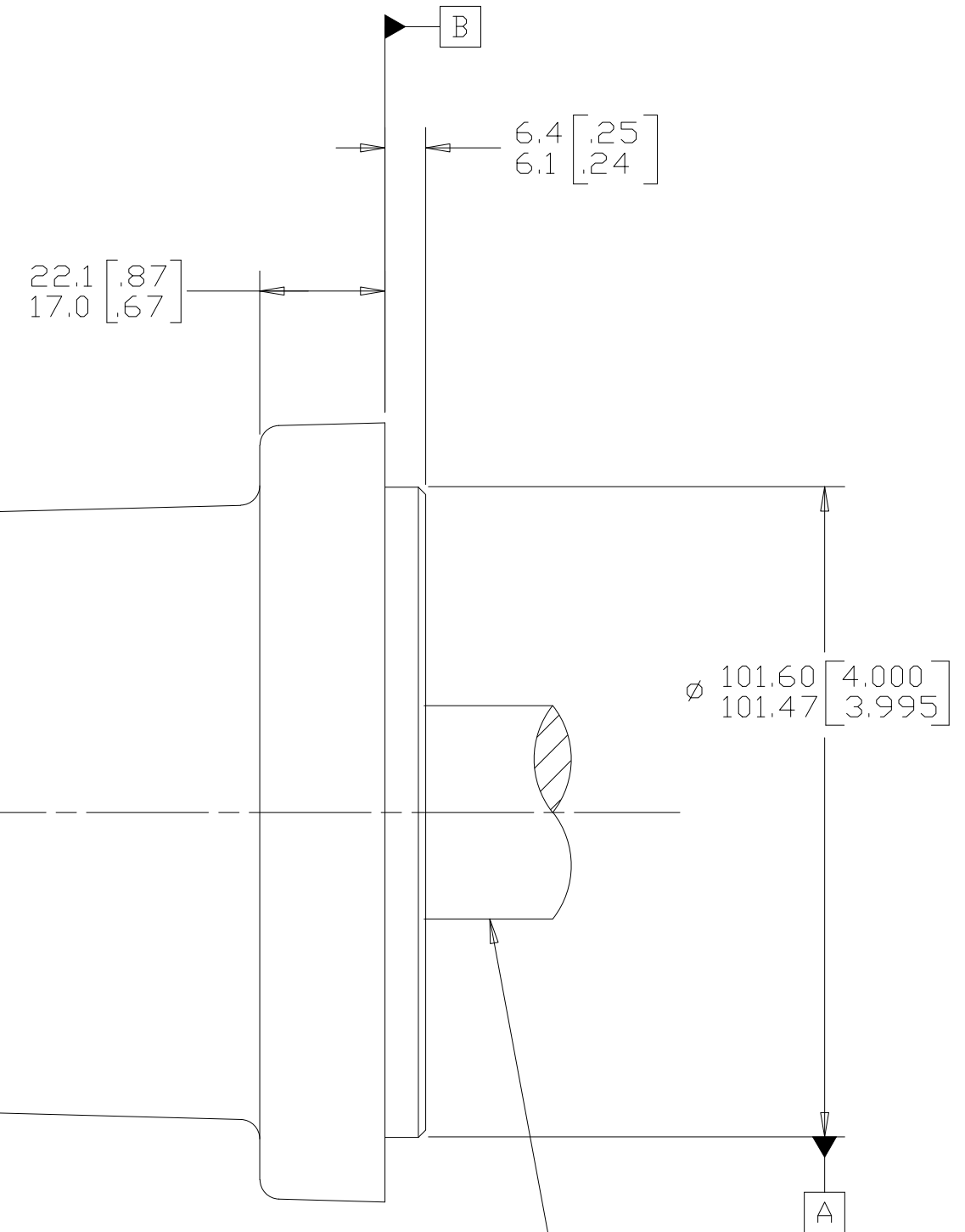
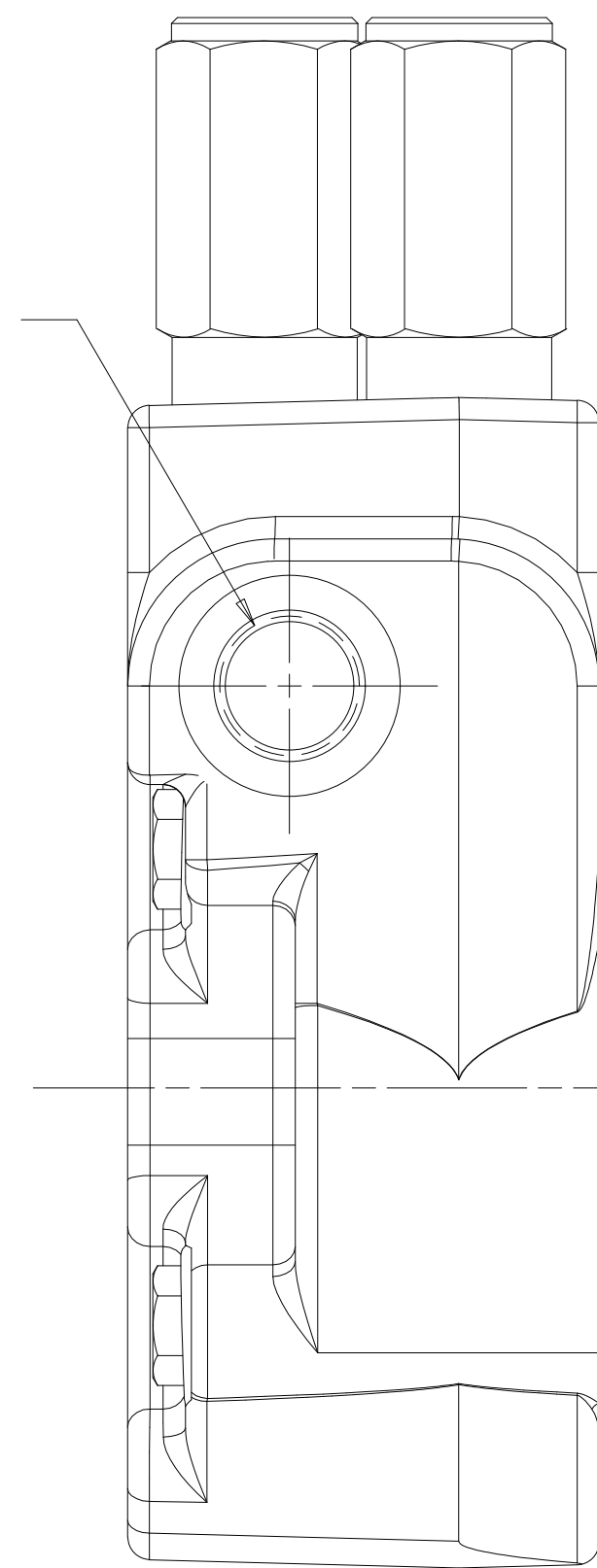


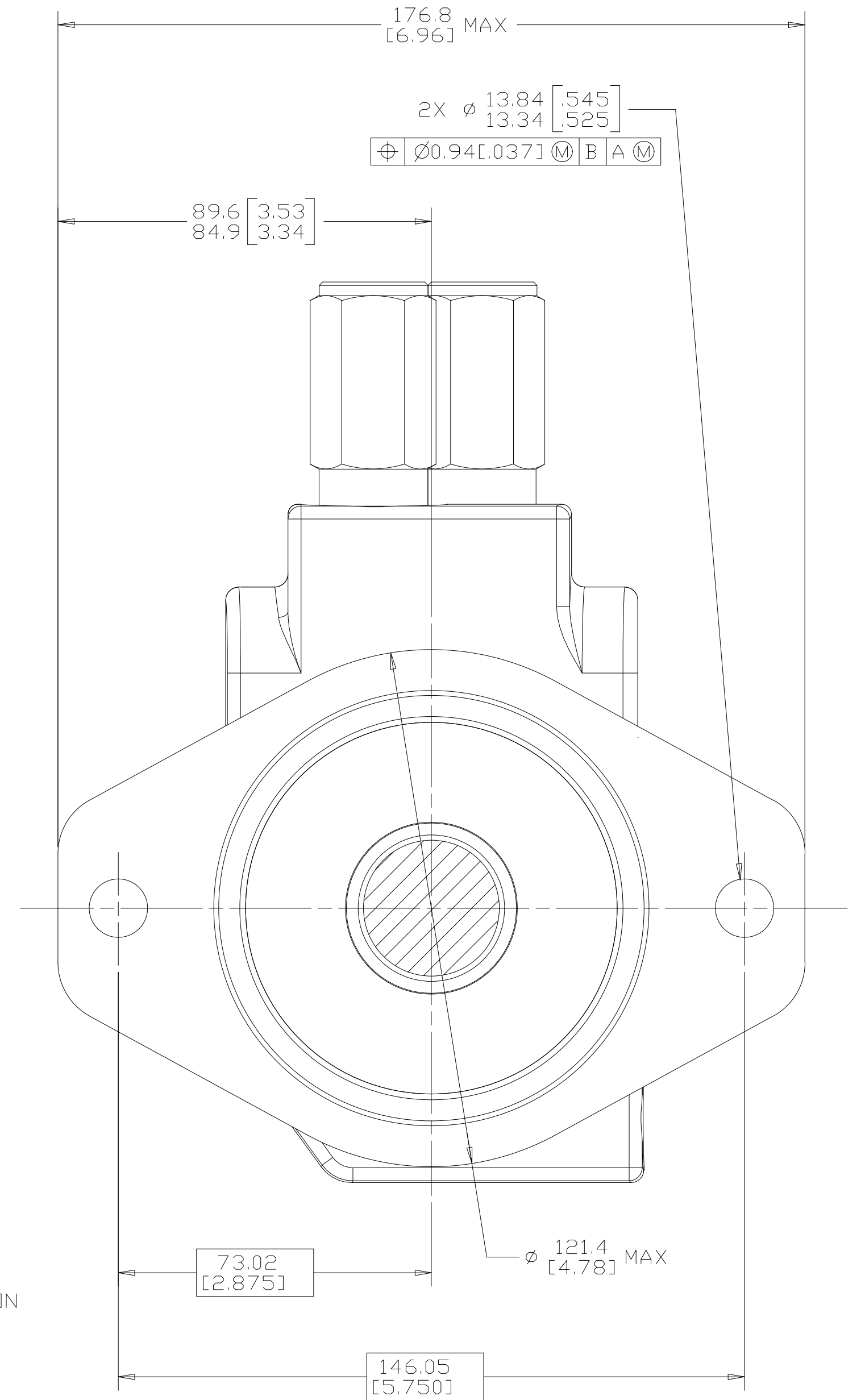
REV	DESCRIPTION	BY	CHK	DATE	ECN
A	ENGINEERING RELEASE	AGJ		5-9-05	M64632
B	(7B) ADDED CASE DRAIN PORT	PM		6-13-05	M64843
C	(7B) UPDATED CASE DRAIN PORT LOCATION	MGF		6-23-05	52148
D	-1(X2D) 13.84/13.34[.545/.525] WAS 15.70/15.32 [1.618/.603] -2(X4C) 6.4/6.1[.25/.24] WAS 6.5/6.3[.26/.24] -3(X4A) REVISED NOTE 2	PM		8-18-05	52660
E	-1(X8C) ADDED 213.6 [8.41] MAX -2(X8C) 147.1 [5.79] WAS 146.0 [5.75] -3(X7B) 53.8 [2.12] WAS 50.3 [1.98] -4(X7A) REMOVED 49.5 [1.95] MAX -5(X7A) ADDED 102.0 [4.02] MAX -6(X2C) 89.6/84.9 [3.53/3.34] WAS 88.6/85.6 [3.49/3.37] -7(X2C) $\phi$ 0.94[.037] $\text{\textcircled{M}}$ $\text{\textcircled{B}}$ $\text{\textcircled{A}}$ $\text{\textcircled{M}}$ WAS $\phi$ 0.635[.025] $\text{\textcircled{M}}$ $\text{\textcircled{B}}$ $\text{\textcircled{A}}$ $\text{\textcircled{M}}$ -8) DRAWING UPDATED TO ASME Y14.5M - 1994 STANDARD	CSG	AAB	5-16-13	M89253



SEE PORT INSTALLATION



SEE SHAFT INSTALLATION



NOTE

- ROTATION:  
STANDARD: WHEN FACING SHAFT END OF MOTOR, SHAFT TO ROTATE; CLOCKWISE WHEN PORT "A" IS PRESSURIZED; COUNTERCLOCKWISE WHEN PORT "B" IS PRESSURIZED  
REVERSE: WHEN FACING SHAFT END OF MOTOR, SHAFT TO ROTATE; COUNTERCLOCKWISE WHEN PORT "B" IS PRESSURIZED; CLOCKWISE WHEN PORT "A" IS PRESSURIZED
- MOUNTING TYPE: AT  
STANDARD, 2 BOLT:  $\phi 101.6 [4.00]$  PILOT  
 $\phi 13.59 [.535]$  HOLES ON  $\phi 146.0 [5.75]$  BOLT CIRCLE (SIMILAR TO SAE B)

REVIEWED FOR CLASSIFICATION PER ESP -042

UNLESS OTHERWISE SPECIFIED ALL DIMENSIONS ARE IN INCHES <input type="checkbox"/> MILLIMETERS (INCHES)		DRAWING BASED ON ASME Y14.5M-1994	
TOLERANCES		THE REPRODUCTION, DISTRIBUTION AND UTILIZATION OF THIS DOCUMENT AS WELL AS THE COMMUNICATION OF ITS CONTENTS TO OTHER WITHOUT EXPLICIT AUTHORIZATION IS PROHIBITED. OFFENDERS WILL BE HELD LIABLE FOR THE PAYMENT OF DAMAGES. ALL RIGHT RESERVED IN THE EVENT OF THE GRANT OF A PATENT, UTILITY MODEL OR DESIGN. (PER ISO 16016)	
xx ± REF	DRAWN BY/DATE AGJ 5-13-05	MATERIAL/HEAT TREAT	
xxx ± ONLY	CHECKED SMM 5-13-05	TITLE	
UNSPECIFIED RADI ARE	ENGRG BY/DATE JML 5-13-05	4000 COMPACT SERIES MOTOR INSTALLATION	
UNSPECIFIED DRAFT ANGLES ARE	METALLURGY----	NUMBER	
THIRD ANGLE PROJECTION	THIRD ANGLE PROJECTION	A-1329-053	
D SIZE	DO NOT SCALE	ARITHMETICAL AVERAGE	
		SCALE 1/1 SHEET 1 OF 1	

