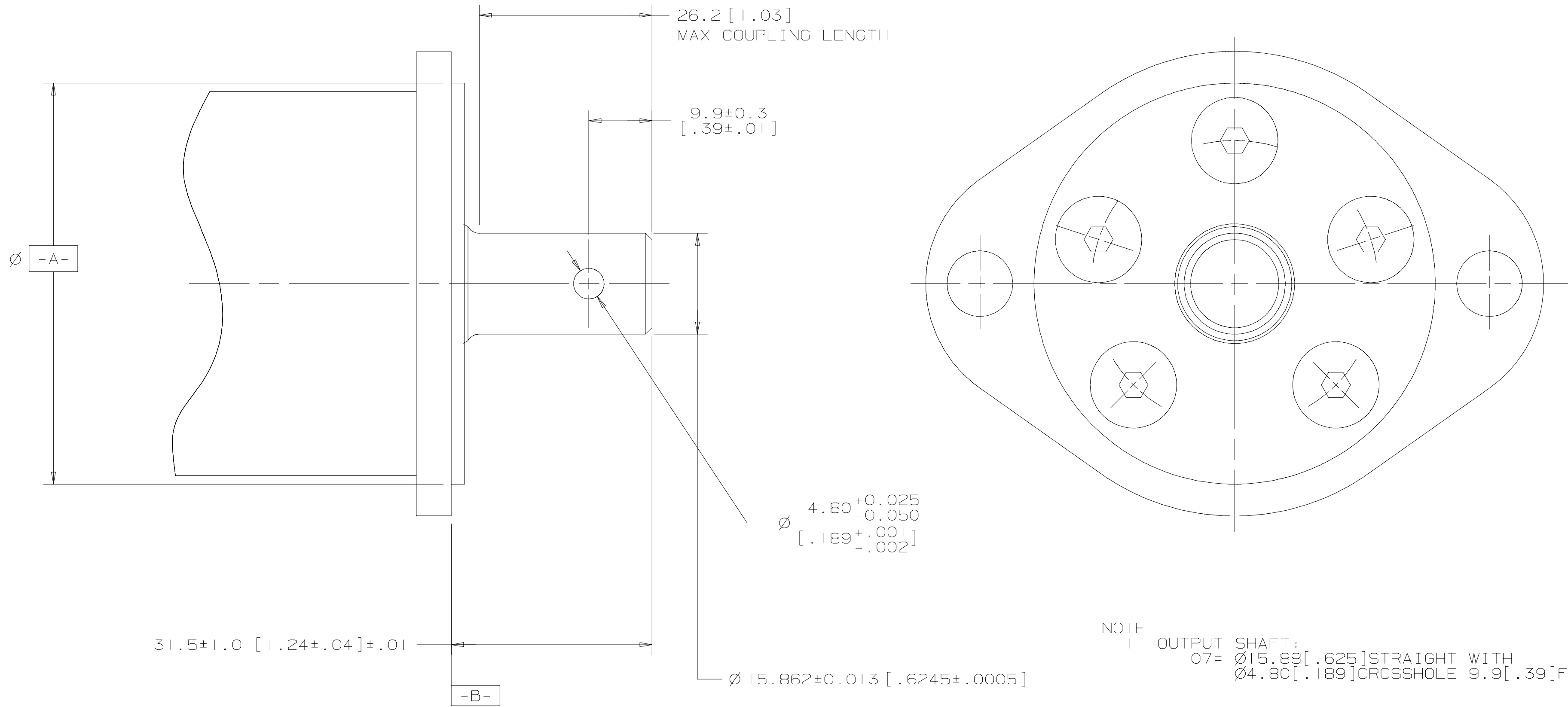


REV	DESCRIPTION	BY	CHK	DATE	ECN
A	ENGINEERING RELEASE	AGJ		6-11-99	M21769



NOTE
1 OUTPUT SHAFT:
07= Ø15.88 [.625] STRAIGHT WITH
Ø4.80 [.189] CROSSHOLE 9.9 [.39] FROM END

MRG

UNLESS OTHERWISE SPECIFIED ALL DIMENSIONS ARE IN		DRAWING BASED ON ANSI Y14.5M-1982																	
INCHES <input type="checkbox"/>	MILLIMETERS <input checked="" type="checkbox"/>	THE REPRODUCTION, DISTRIBUTION, AND UTILIZATION OF THIS DOCUMENT, AS WELL AS THE COMMUNICATION OF ITS CONTENTS TO OTHERS WITHOUT EXPLICIT AUTHORIZATION IS PROHIBITED. OFFENDERS WILL BE HELD LIABLE FOR THE PAYMENT OF DAMAGES. ALL RIGHTS RESERVED IN THE EVENT OF THE GRANT OF A PATENT, UTILITY MODEL, OR DESIGN. (PER ISO 16016)																	
TOLERANCES		<table border="1"> <tr> <td>DRAWN BY/DATE</td> <td>AGJ 6-14-99</td> <td>MATERIAL/HEAT TREAT</td> <td></td> </tr> <tr> <td>CHECKED BY/DATE</td> <td>GCB 6-15-99</td> <td></td> <td></td> </tr> <tr> <td>ENGRG BY/DATE</td> <td>RVA 6-15-99</td> <td>TITLE</td> <td>SHAFT INSTALLATION J MOTOR</td> </tr> <tr> <td>METALLURGY BY/DATE</td> <td>----</td> <td></td> <td></td> </tr> </table>		DRAWN BY/DATE	AGJ 6-14-99	MATERIAL/HEAT TREAT		CHECKED BY/DATE	GCB 6-15-99			ENGRG BY/DATE	RVA 6-15-99	TITLE	SHAFT INSTALLATION J MOTOR	METALLURGY BY/DATE	----		
DRAWN BY/DATE	AGJ 6-14-99	MATERIAL/HEAT TREAT																	
CHECKED BY/DATE	GCB 6-15-99																		
ENGRG BY/DATE	RVA 6-15-99	TITLE	SHAFT INSTALLATION J MOTOR																
METALLURGY BY/DATE	----																		
.X ±	.XX ±																		
.XXX ±	<																		
UNSPECIFIED RADII ARE	UNSPECIFIED DRAFT ANGLES ARE	<table border="1"> <tr> <td>MICROINCHES <input checked="" type="checkbox"/></td> <td>MICROMETERS <input type="checkbox"/></td> <td>NUMBER</td> <td>A-270-019</td> </tr> <tr> <td colspan="2">THIRD ANGLE PROJECTION</td> <td>SCALE</td> <td>2/1</td> </tr> <tr> <td colspan="2">DO NOT SCALE</td> <td>ARITHMETICAL AVERAGE</td> <td>SHEET 1 OF 1</td> </tr> </table>	MICROINCHES <input checked="" type="checkbox"/>	MICROMETERS <input type="checkbox"/>	NUMBER	A-270-019	THIRD ANGLE PROJECTION		SCALE	2/1	DO NOT SCALE		ARITHMETICAL AVERAGE	SHEET 1 OF 1					
MICROINCHES <input checked="" type="checkbox"/>	MICROMETERS <input type="checkbox"/>	NUMBER	A-270-019																
THIRD ANGLE PROJECTION		SCALE	2/1																
DO NOT SCALE		ARITHMETICAL AVERAGE	SHEET 1 OF 1																