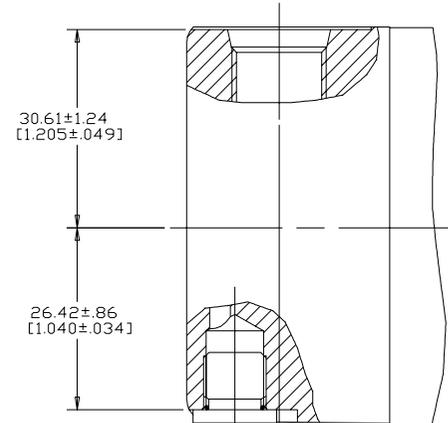
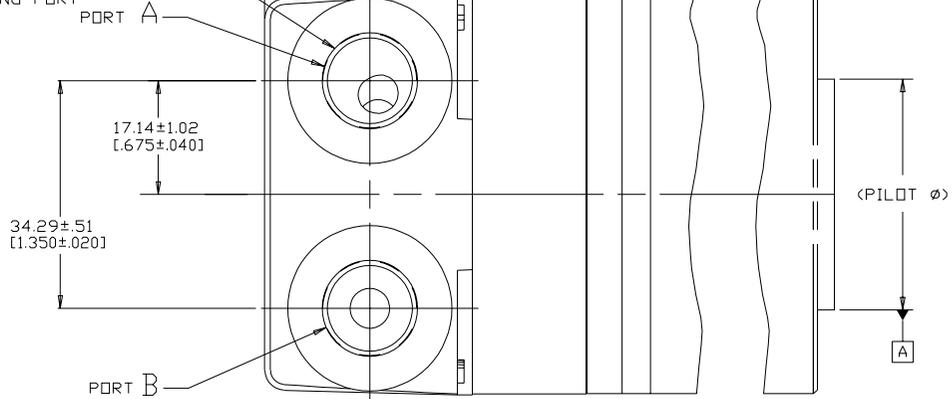


DISPL CODE	D	C MAX
05	87.09±0.81 [3.429±.032]	104.17 [4.101]
08	90.2±0.81 [3.55±.032]	107.24 [4.222]
10	92.41±0.81 [3.638±.032]	109.47 [4.310]
12	94.62±0.81 [3.725±.032]	111.68 [4.397]
19	102.26±0.81 [4.026±.032]	119.33 [4.698]
30	113.61±0.81 [4.473±.032]	130.68 [5.145]

REV	DESCRIPTION	BY	CHK	DATE	ECN
A	ENGINEERING RELEASE	RAF		1-23-96	27675
D	REVISED	SSD		08-16-10	M79810
E	-1>REVISED AS PER STACK-UP -2>DRAWING UPDATED TO ASME Y14.5-2009 STANDARD	SB		04-21-15	0063485
F	-1>(3C)(3B)(3A)(2C) REVISED PICTORIALY -2>DIMENSIONS REVISED FOR STACK-UP	YUP	YUP	03-27-15	0062470

2X SAE J1926/1:9/16-18
O-RING PORT



SAE J1926/1:3/8-24
O-RING PORT
CASE DRAIN

NOTE
1 PORT TYPE D

CS REVIEWED FOR CLASSIFICATION PER ESP-042

UNLESS OTHERWISE SPECIFIED ALL DIMENSIONS ARE IN		DRAWING BASED ON ASME Y14.5-2009	
INCHES <input type="checkbox"/>	MILLIMETERS <input checked="" type="checkbox"/>	THE REPRODUCTION, DISTRIBUTION, AND UTILIZATION OF THIS DOCUMENT, AS WELL AS THE COMMUNICATION OF ITS CONTENTS TO OTHERS WITHOUT EXPLICIT AUTHORIZATION IS PROHIBITED. OFFENDERS WILL BE HELD LIABLE FOR THE PAYMENT OF DAMAGES. ALL RIGHTS RESERVED IN THE EVENT OF THE GRANT OF A PATENT, UTILITY MODEL, OR DESIGN (PER ISO 18016)	
TOLERANCES			
x ± ----	xx ± REF		
xxx ± ONLY	xxxx ± ONLY	DRAWN BY/DATE RAF 2-9-96 MATERIAL/HEAT TREAT	
UNSPECIFIED RADII ARE	UNSPECIFIED DRAFT ANGLES ARE	CHECKED BY/DATE SDR 2-21-96	
----	----	ENGRG BY/DATE RVA 2-22-96 TITLE	
----	----	METALLURGY BY/DATE	
----	----	THIRD ANGLE PROJECTION	
C SIZE	DO NOT SCALE	MICROINCHES <input type="checkbox"/> MICROMETERS <input type="checkbox"/>	NUMBER
		ARITHMETICAL AVERAGE <input checked="" type="checkbox"/>	A-818-028
		SCALE 2/1	SHEET 1 OF 1