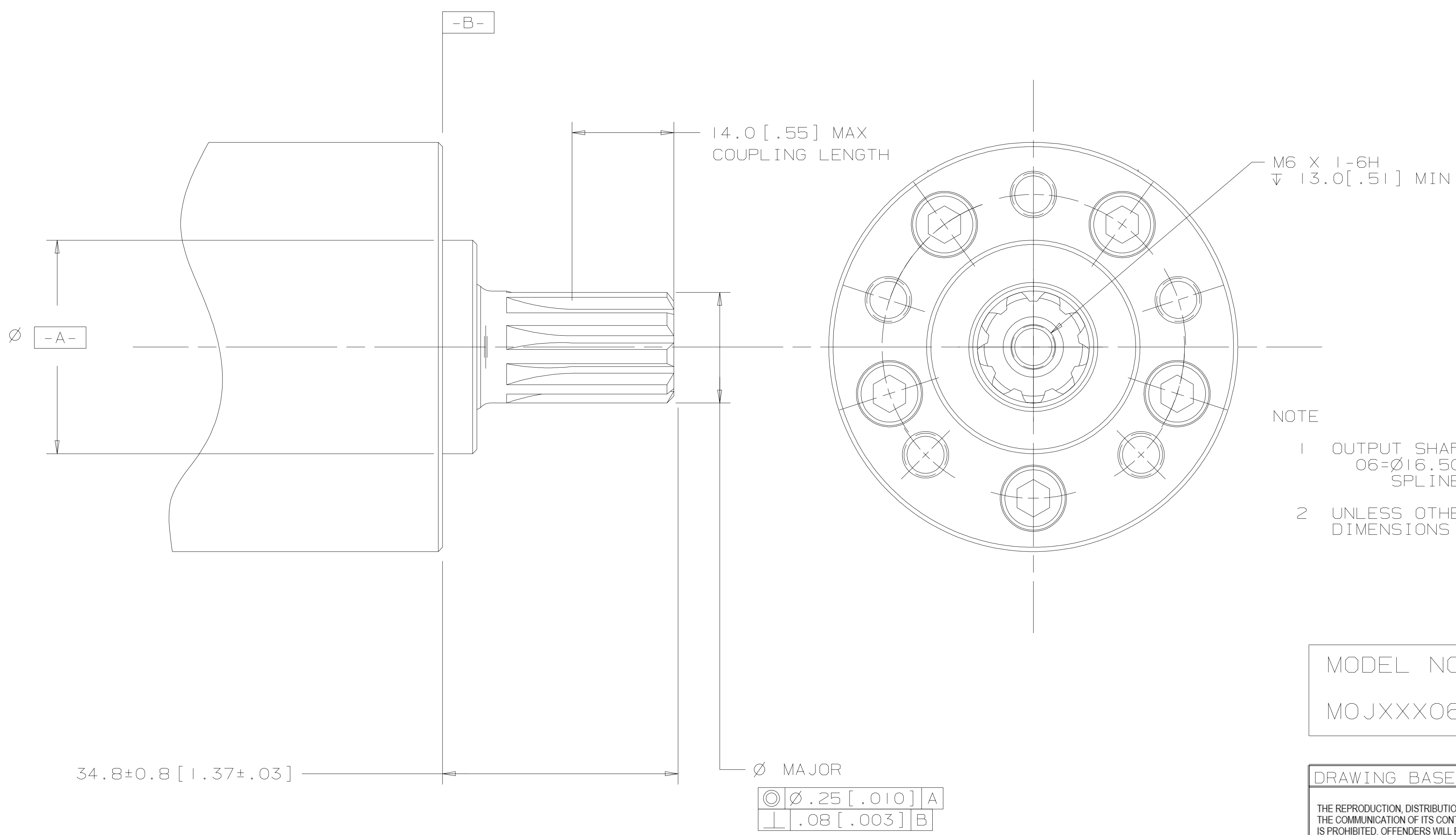


SYM	REVISION	BY	DATE	ECN
A	RELEASE FOR SAMPLES AND ESTIMATE	MA	2-15-91	X5218
C	1)REVISED 2)ENGINEERING RELEASE	MA	7-22-91	20855
D	(2C)M6X1-6H ∇ 13.0[.51]MIN WAS M6X1-6H ∇ 9.9[.39]MIN	AGJ	2-25-92	21800
E	(1B)...B17 X 14 DIN 5482 WAS ...A17 X 14 DIN 5482	JMS	5-4-99	32822
F	(4A)34.8 \pm 0.8 [1.37 \pm .03] WAS 35.1 \pm 1.0 [1.38 \pm .04]	JSB	3-27-08	ECR-8713



DRAWING BASED ON ANSI Y14.5M-1982	
THE REPRODUCTION, DISTRIBUTION, AND UTILIZATION OF THIS DOCUMENT, AS WELL AS THE COMMUNICATION OF ITS CONTENTS TO OTHERS WITHOUT EXPLICIT AUTHORIZATION IS PROHIBITED. OFFENDERS WILL BE HELD LIABLE FOR THE PAYMENT OF DAMAGES. ALL RIGHTS RESERVED IN THE EVENT OF THE GRANT OF A PATENT, UTILITY MODEL, OR DESIGN. (PER ISO 16016)	
DRAWN BY/DATE MA 2-19-91	MATERIAL/HEAT TREAT
CHECKED BY/DATE DGS 3-28-91	TITLE SHAFT INSTALLATION J MOTOR
ENGRG BY/DATE OJ 3-26-91	
DO NOT SCALE	NUMBER A-270-006
THIRD ANGLE PROJECTION	SCALE 2/1 SIZE SHEET 1 OF 1