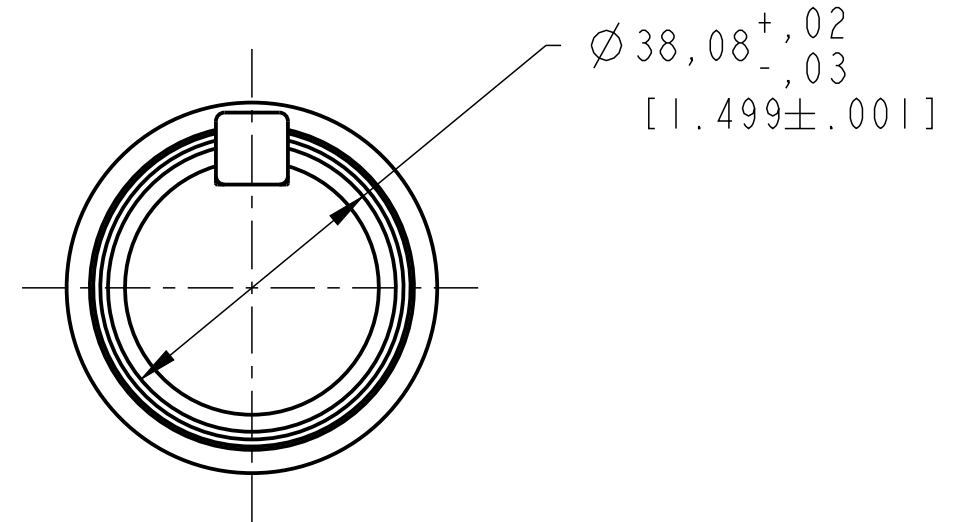
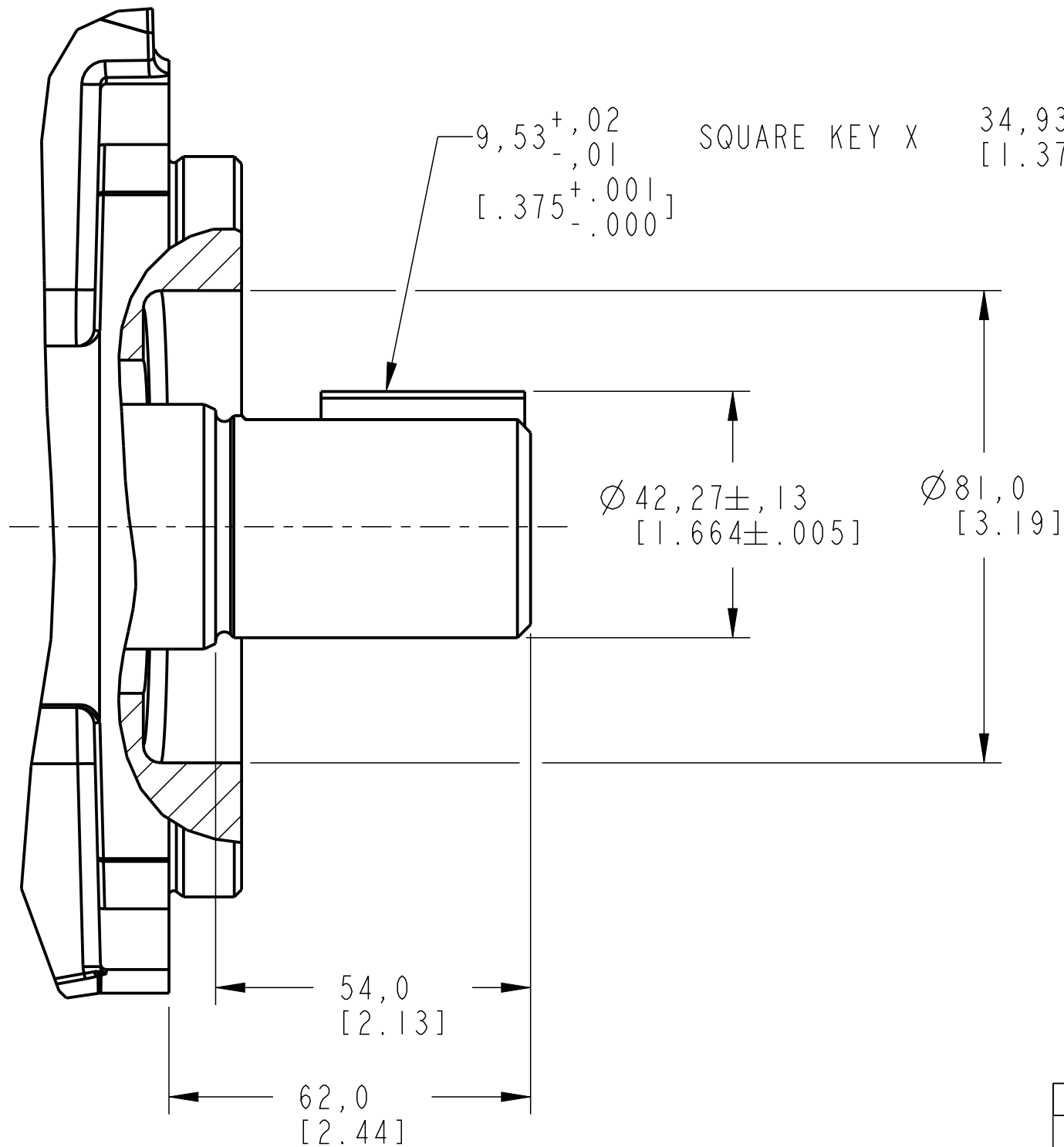


REV	DESCRIPTION	BY	CHK	DATE	CO
A	ENGINEERING RELEASED	JLW	JGS	09/21/00	36517
B	UPDATED DRAWING TEMPLATE AS PER DANFOSS STANDARDS	PRM	TTM	02/23/23	CO-0228211



NOTE

- 1 ALL DIMENSIONS ARE NOMINAL UNLESS OTHERWISE SPECIFIED
- 2 MAX INPUT TORQUE NOT TO EXCEED 765 Nm (6771 IN LBS.)
- 3 STRAIGHT KEYED SHAFT OPTION COMPATIBLE WITH SAE-J744 SPECIFICATION

DRAWN BY/DATE	JLW	05/16/00
CHECKED BY/DATE	JGS	11/02/00
ENGRG BY/DATE	JI	02/08/01
MFG BY/DATE	----	----

PRODUCT FIRST USED ON : PVM PUMP		CHANGE ID		REV ITEMS	STATUS/DATE (DD/MM/YY)	RAW MATERIAL SPECIFICATION
UNLESS OTHERWISE SPECIFIED		<input checked="" type="checkbox"/> LEGACY VICKERS ITEM INTERPRET PER VS 1-3-3-1		CO-0228211	B	REVISED 23/02/23
METRIC <input checked="" type="checkbox"/> INCHES <input type="checkbox"/>	LAB OFFICE	UNSPECIFIED RADII ARE:		THE REPRODUCTION, DISTRIBUTION AND UTILIZATION OF THIS DOCUMENT AS WELL AS THE COMMUNICATION OF ITS CONTENTS TO OTHER WITHOUT EXPLICIT AUTHORIZATION IS PROHIBITED. OFFENDERS WILL BE HELD LIABLE FOR THE PAYMENT OF DAMAGES. ALL RIGHT RESERVED IN THE EVENT OF THE GRANT OF A PATENT, UTILITY MODEL OR DESIGN. (PER ISO 16016)		
TOLERANCES	N/A	UNSPECIFIED DRAFT ANGLES		DRAWING INTERPRETATION PER 504H0074		
.X	± 0.8	----		DWG NO A-2168-002 REV B		
.XX	± 0.25	----		DRAWING TITLE		
.XXX	± ---	----		SHAFT INSTALLATION		
NO BURRS		B SIZE		SCALE 1/1		PART NO A-2168-002
				SHEET 1 OF 1		

Danfoss

