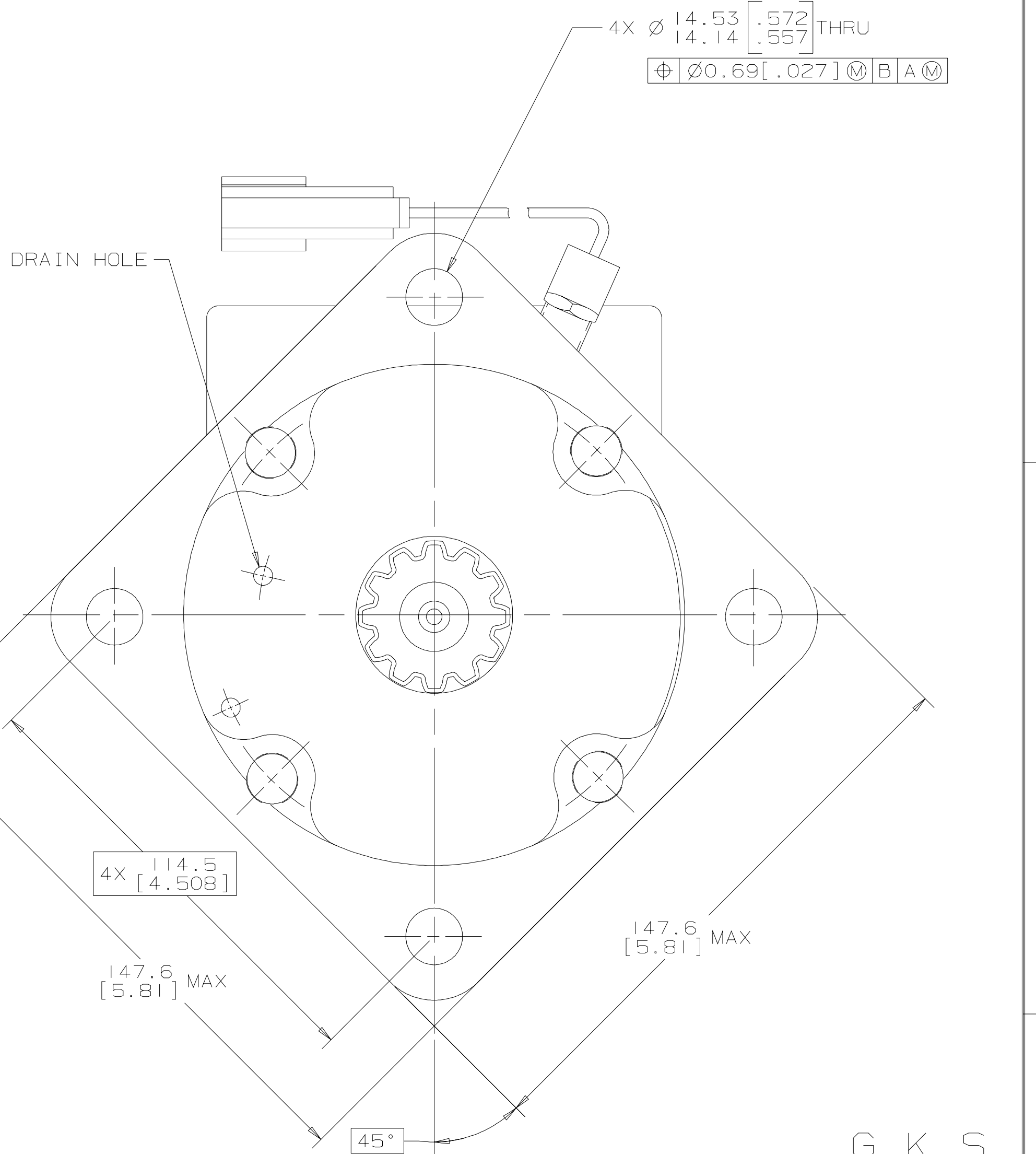
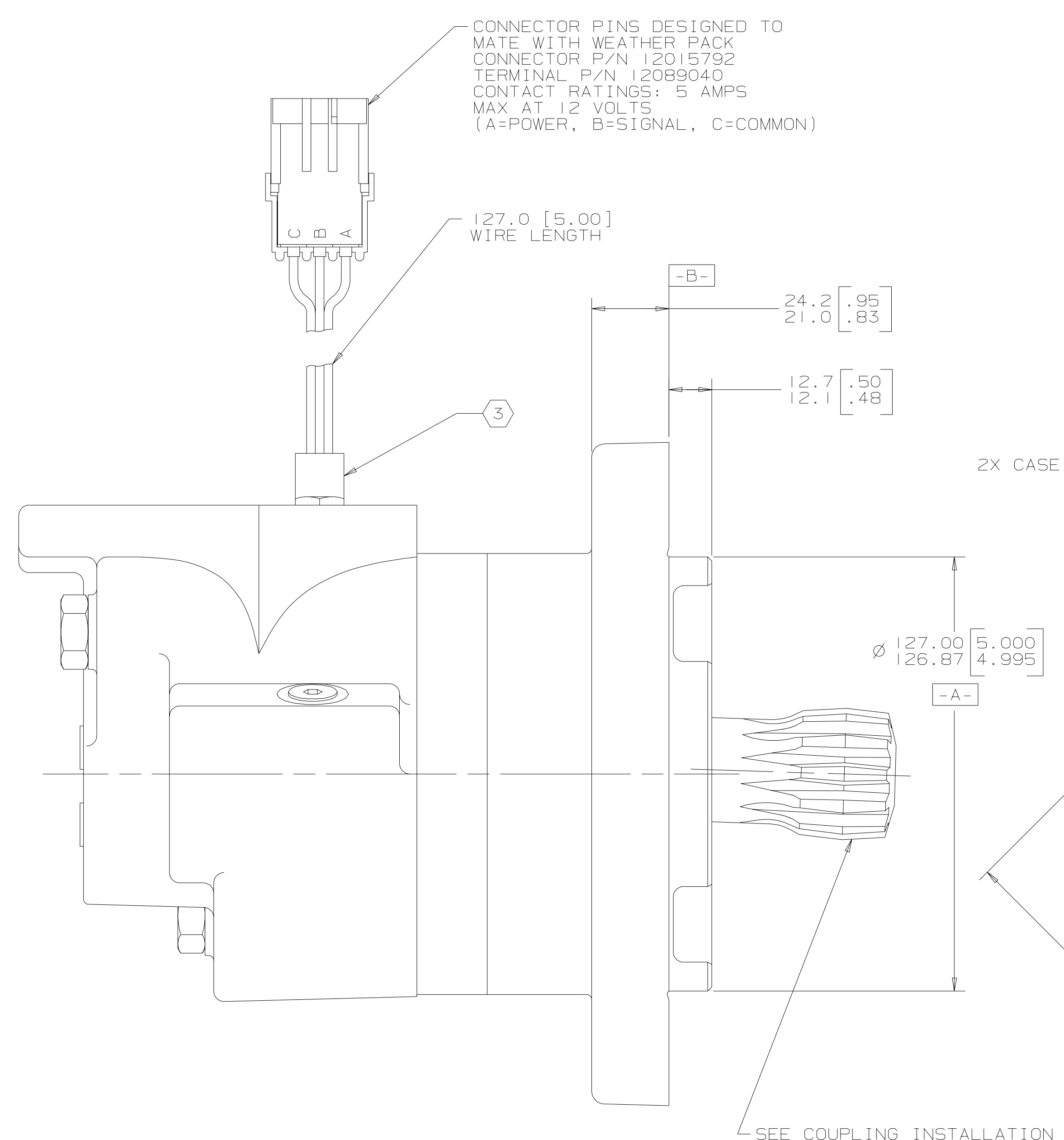
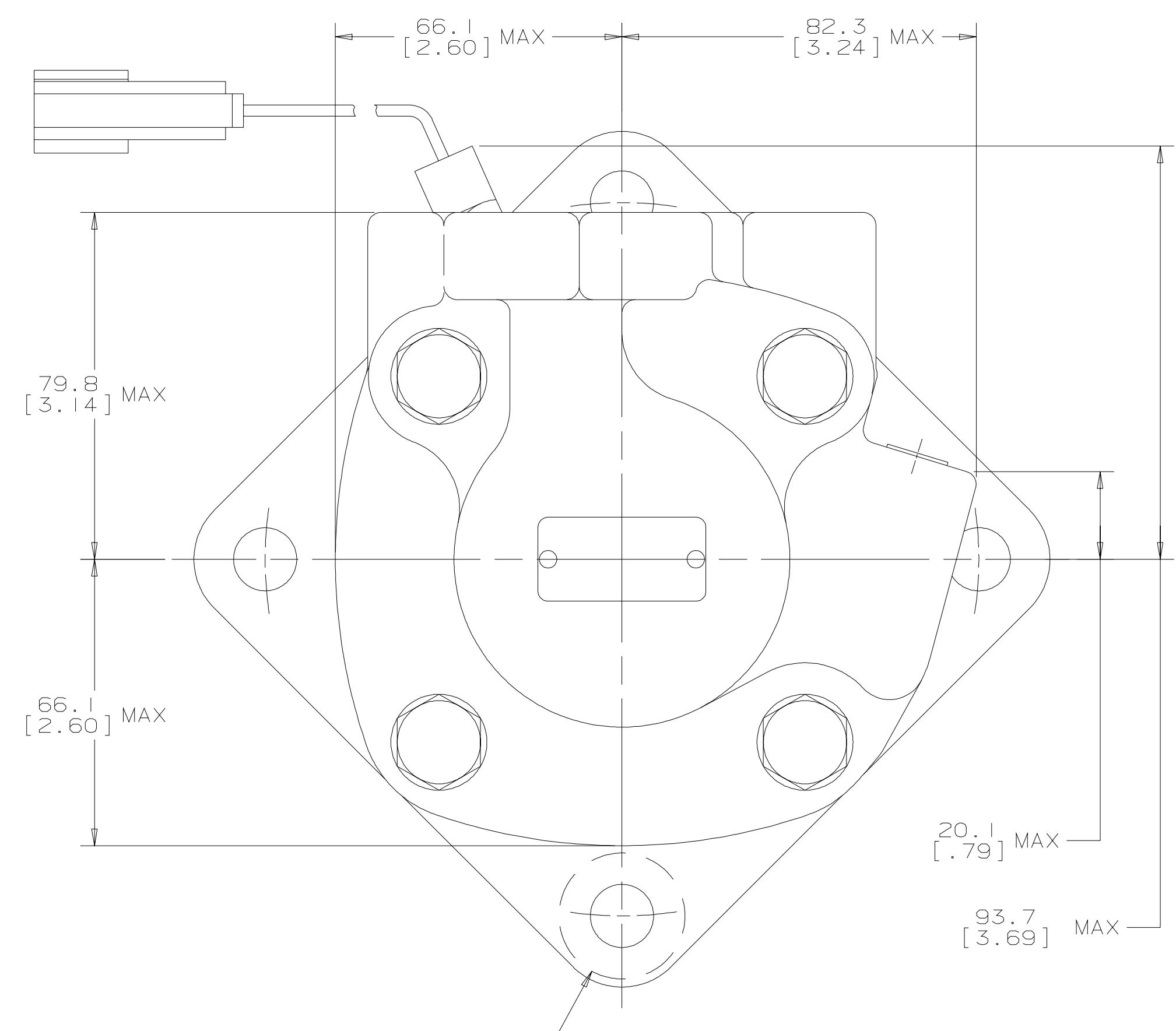
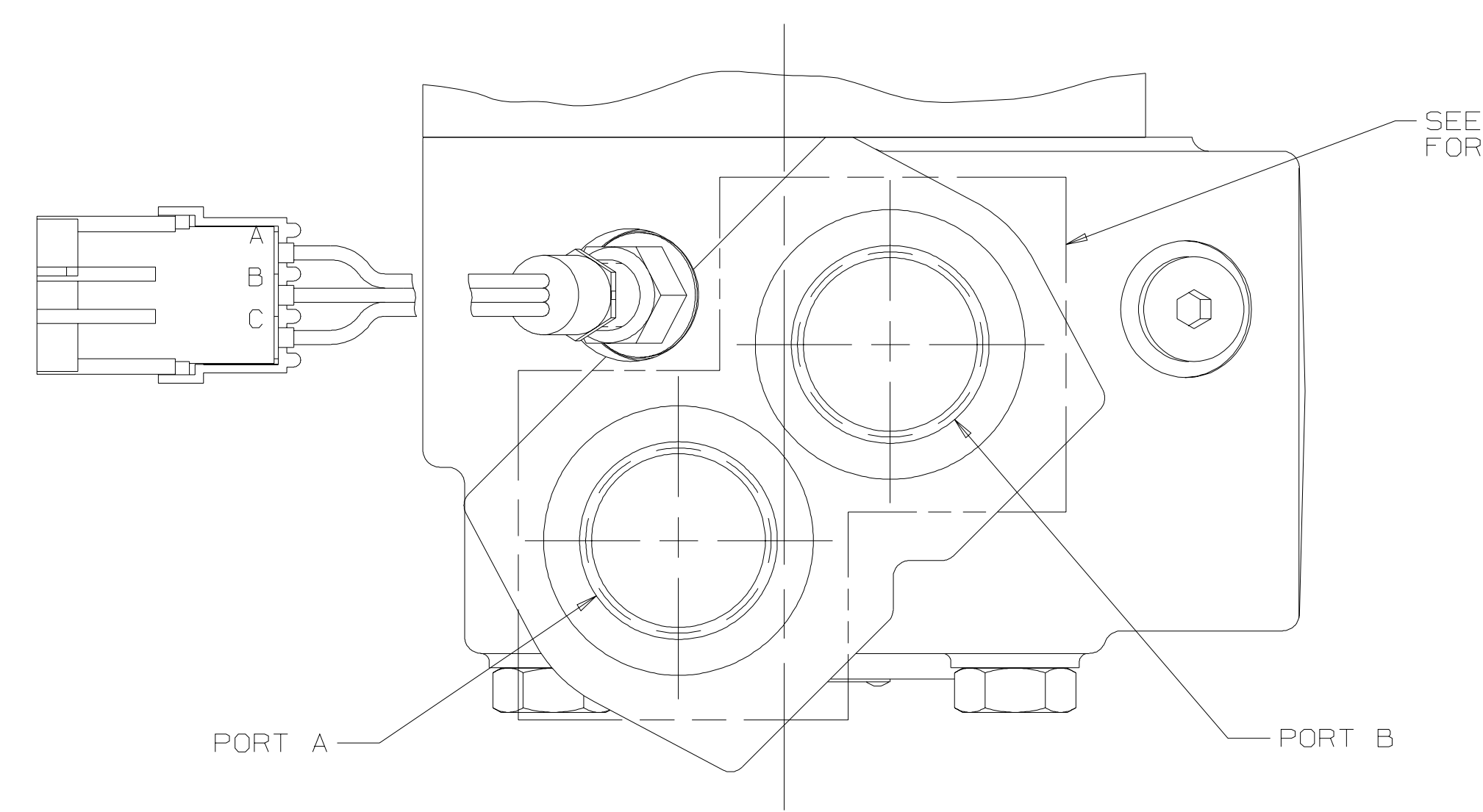


REV	DESCRIPTION	BY	CHK	DATE	ECN
A	ENGINEERING RELEASE	CMR		2-20-98	M19219
B	(5A) MOUNTING TYPE WAS "A"	SSD		12-11-06	0001664



NOTE

1 ROTATION
 STANDARD: WHEN FACING SHAFT END OF MOTOR, SHAFT TO ROTATE: COUNTERCLOCKWISE WHEN PORT "A" IS PRESSURIZED
 COUNTERCLOCKWISE WHEN PORT "B" IS PRESSURIZED
 REVERSE: WHEN FACING SHAFT END OF MOTOR, SHAFT TO ROTATE: COUNTERCLOCKWISE WHEN PORT "B" IS PRESSURIZED
 COUNTERCLOCKWISE WHEN PORT "A" IS PRESSURIZED

2 MOUNTING TYPE: AA
 BEARINGLESS, 4 BOLT: Ø127.0 [5.00] PILOT
 Ø14.35 [.565] HOLES ON Ø162.0 [6.38] BOLT CIRCLE

3 NOMINAL SENSOR OUTPUT WILL BE 30 ELECTRICAL PULSES PER SHAFT REVOLUTION
 SUPPLY VOLTAGE: 8 TO 28 Vdc
 OUTPUT VOLTAGE: LOW .5 Vdc AT 10 mA; HIGH Vs-1 Vdc

UNLESS OTHERWISE SPECIFIED ALL DIMENSIONS ARE IN		DRAWING BASED ON ANSI Y14.5M-1982	
INCHES <input type="checkbox"/>	MILLIMETERS <input checked="" type="checkbox"/>	THE REPRODUCTION, DISTRIBUTION, AND UTILIZATION OF THIS DOCUMENT, AS WELL AS THE COMMUNICATION OF ITS CONTENTS TO OTHERS WITHOUT EXPLICIT AUTHORIZATION IS PROHIBITED. OFFENDERS WILL BE HELD LIABLE FOR THE PAYMENT OF DAMAGES. ALL RIGHTS RESERVED IN THE EVENT OF THE GRANT OF A PATENT, UTILITY MODEL, OR DESIGN. (PER ISO 16016)	
TOLERANCES			
.XX +REF	DRAIN BY/DATE CMR 2-26-98	MATERIAL/HEAT TREAT	
.XXX +ONLY	CHECKED BY/DATE AGJ 3-4-98		
UNSPECIFIED RADI ARE	ENGR. BY/DATE JDM 3-4-98	TITLE	
UNSPECIFIED DRAFT ANGLES ARE	METALLURGY BY/DATE	6000 SERIES MOTOR INSTALL	
DRAWING FORMAT CAD <input checked="" type="checkbox"/> MANUAL <input type="checkbox"/>	THIRD ANGLE PROJECTION	MICROINCHES (MICROINCHES)	NUMBER
DO NOT SCALE	ARTHEMATICAL AVERAGE	A-1014-009	
		SCALE 1/1	SHEET 1 OF 1

G K S