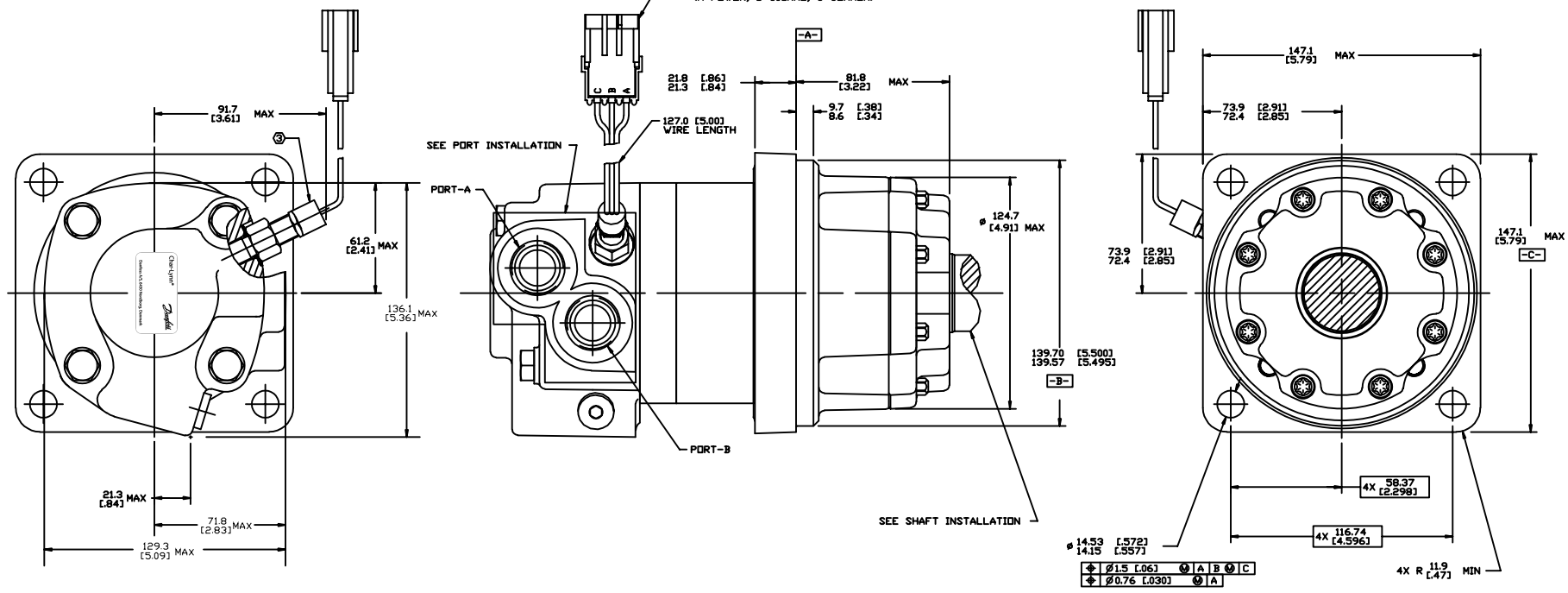


REV	DESCRIPTION	BY	CHK	DATE	ECN
A	ENGINEERING RELEASE	CHR		3-3-98	M19303
B	(6A) MOUNTING TYPE WAS 'C'	AMM		1-24-97	0002527
C	BACK VIEW DIMENSIONS UPDATED	MPN	STS	2-19-98	0090887

CONNECTOR PINS DESIGNED TO MATE WITH WEATHER PACK CONNECTOR P/N 12015792 TERMINAL P/N 12089040 CONTACT RATINGS: 5 AMPS MAX AT 12 VOLTS (A=POWER, B=SIGNAL, C=COMMON)



NOTE

1 ROTATION (STANDARD) WHEN FACING SHAFT END OF MOTOR, SHAFT TO ROTATE: CLOCKWISE WHEN PORT 'A' IS PRESSURIZED, COUNTERCLOCKWISE WHEN PORT 'B' IS PRESSURIZED. (REVERSE) WHEN FACING SHAFT END OF MOTOR, SHAFT TO ROTATE: CLOCKWISE WHEN PORT 'B' IS PRESSURIZED, COUNTERCLOCKWISE WHEN PORT 'A' IS PRESSURIZED.

2 MOUNTING TYPE: AC WHEEL, 4 BOLT, 139.70 [5.500] PILOT DIA. 14.27 [563] DIA. HOLES ON 165.10 [6.500] DIA. BOLT CIRCLE.

3 NOMINAL SENSOR OUTPUT WILL BE 30 ELECTRICAL PULSES PER SHAFT ROTATION. SUPPLY VOLTAGE: 8 TO 28 Vdc. OUTPUT VOLTAGE: LOW .5 Vdc AT 10 mA HIGH Vs-1 Vdc.

⌀ 15.53 [572]	⌀ 14.15 [557]	⌀ 11.5 [457]	⌀ 11.674 [4596]	4X 58.37 [2298]	4X 116.74 [4596]
⌀ 15.063 [615]	⌀ 14.91 [591]	⌀ 14.91 [591]	⌀ 14.91 [591]	⌀ 14.91 [591]	⌀ 14.91 [591]
⌀ 12.47 [491]	⌀ 12.47 [491]	⌀ 12.47 [491]	⌀ 12.47 [491]	⌀ 12.47 [491]	⌀ 12.47 [491]

UNLESS OTHERWISE SPECIFIED		DRAWING BASED ON ANSI Y14.5M-1982	
FINISH	AS SHOWN	DATE	3-10-98
TOLERANCES	UNLESS OTHERWISE SPECIFIED	DESIGNED BY	CHR
SIZE	FRACTIONS	DATE	3-16-98
DECIMALS	0.0005	DESIGNED BY	JDM
ANGLES	0.0005	DATE	3-16-98
UNSPECIFIED HOLE DIA.	0.0005	REVISIONS	
UNSPECIFIED SHAFTHOLE DIA.	0.0005	NO.	1
UNSPECIFIED KEYWAY	0.0005	DATE	
THIRD ANGLE PROJECTION	DO NOT SCALE	SCALE	1/1
DO NOT SCALE		SHEET	1 OF 1



TITLE: 4000 MOTOR INSTALLATION
 NUMBER: A-1298-001